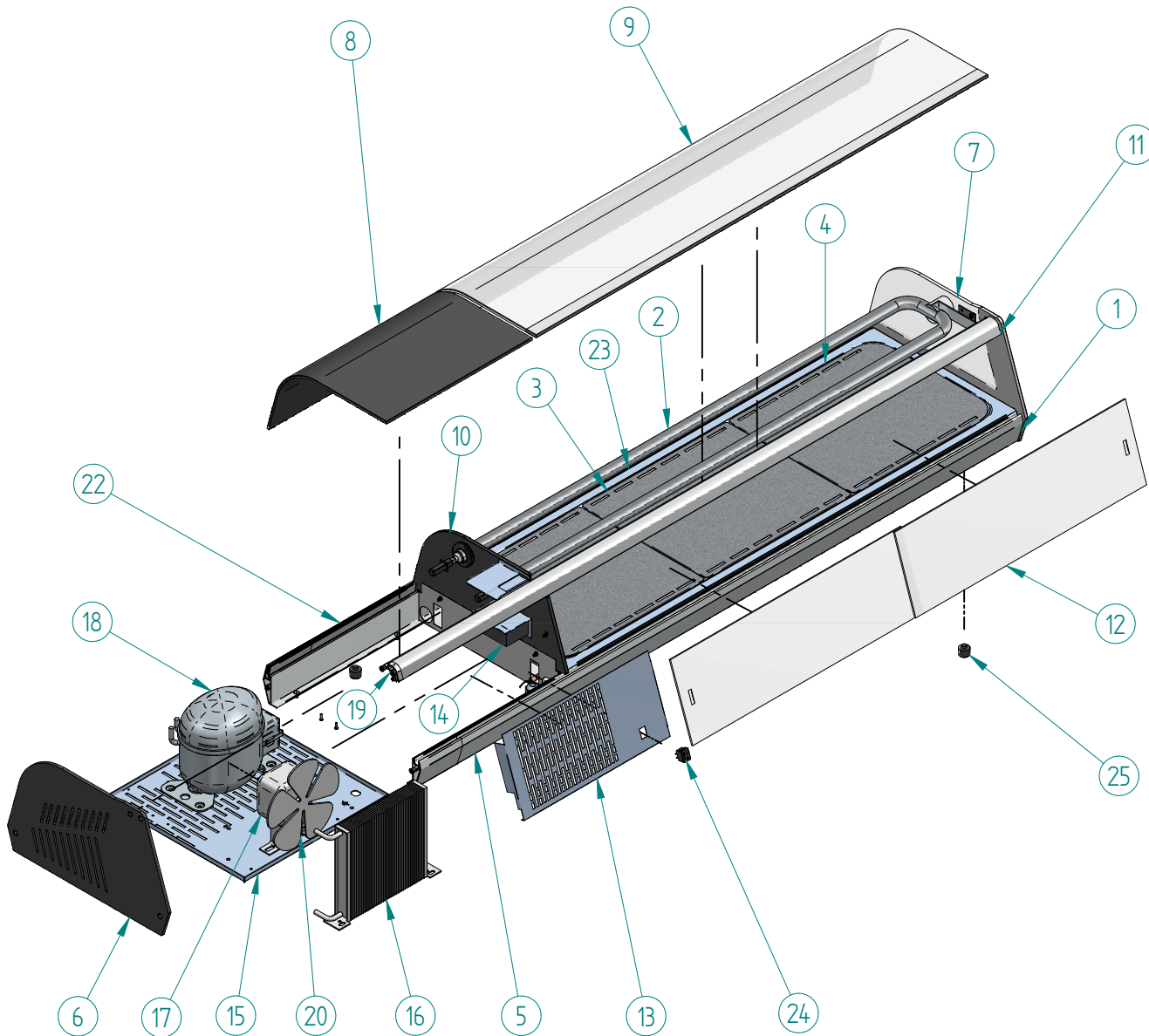


**ITV**  
ICE makers



DESPIECE / REPUESTOS  
EXPLODED VIEW / SPARE PARTS  
EXPLOSIONSZEICHNUNG / ERSATZTEILE  
VUE ÉCLATÉE / PIÈCES DÉTACHÉES  
ESPLOSO / RICAMBI



| ITEM | DESCRIPCION                | CODIGO   |          |          |
|------|----------------------------|----------|----------|----------|
|      |                            | V6S      | V8S      |          |
| 1    | EVAPORADOR INFERIOR        | 8625U    | 8626U    |          |
| 2    | EVAPORADOR SUPERIOR        | 8623A    | 8624     |          |
| 3    | BANDEJA SUSHI CENTRAL      | 8627     |          |          |
| 4    | BANDEJA SUSHI FINAL        | 8628     |          |          |
| 5    | PERFIL BASE                | SILVER   | 1200047  | 1200003  |
|      |                            | BLACK    | 1200056  | 1200042  |
| 6    | LATERAL DERECHO SIMPLE     | 1000004  |          |          |
| 7    | LATERAL IZQUIERDO SIMPLE   | 1000005  |          |          |
| 8    | CRISTAL U/C SIMPLE         | 1200011  |          |          |
| 9    | CRISTAL SIMPLE             | 1000011  | 1000012  |          |
| 10   | SEPARADOR CENTRAL SIMPLE   | 1000120  |          |          |
| 11   | PERFIL LUZ                 | SILVER   | 12000109 | 12000106 |
|      |                            | BLACK    | 12000110 | 12000107 |
| 12   | PUERTA SIMPLE              | 1000028  |          |          |
| 13   | REJILLA FRENTE SIMPLE      | 6702AU   |          |          |
| 14   | TERMOSTATO                 | 32635    |          |          |
| 15   | BANCADA U/C VITRINA        | 6705     |          |          |
| 16   | CONDENSADOR                | 6685A    |          |          |
| 17   | MOTOR VENTILADOR 220V/50HZ | 2170     |          |          |
| 18   | COMPRESOR 220V/50HZ        | 32628    |          |          |
| 19   | LED                        | 12000104 | 12000105 |          |
| 20   | PALA VENTILADOR            | 587      |          |          |
| 21   | ALARGADERA                 | 408      |          |          |
| 22   | PERFIL CRISTAL U/C         | SILVER   | 1200069  |          |
|      |                            | BLACK    | 1200061  |          |
| 23   | PERFIL CRISTAL             | SILVER   | 1200049  | 1200009  |
|      |                            | BLACK    | 1200059  | 1200044  |
| 24   | INTERRUPTOR                | 32416    |          |          |
| 25   | PATA                       | 1000063  |          |          |
| 26   | SONDA                      | 32644    |          |          |