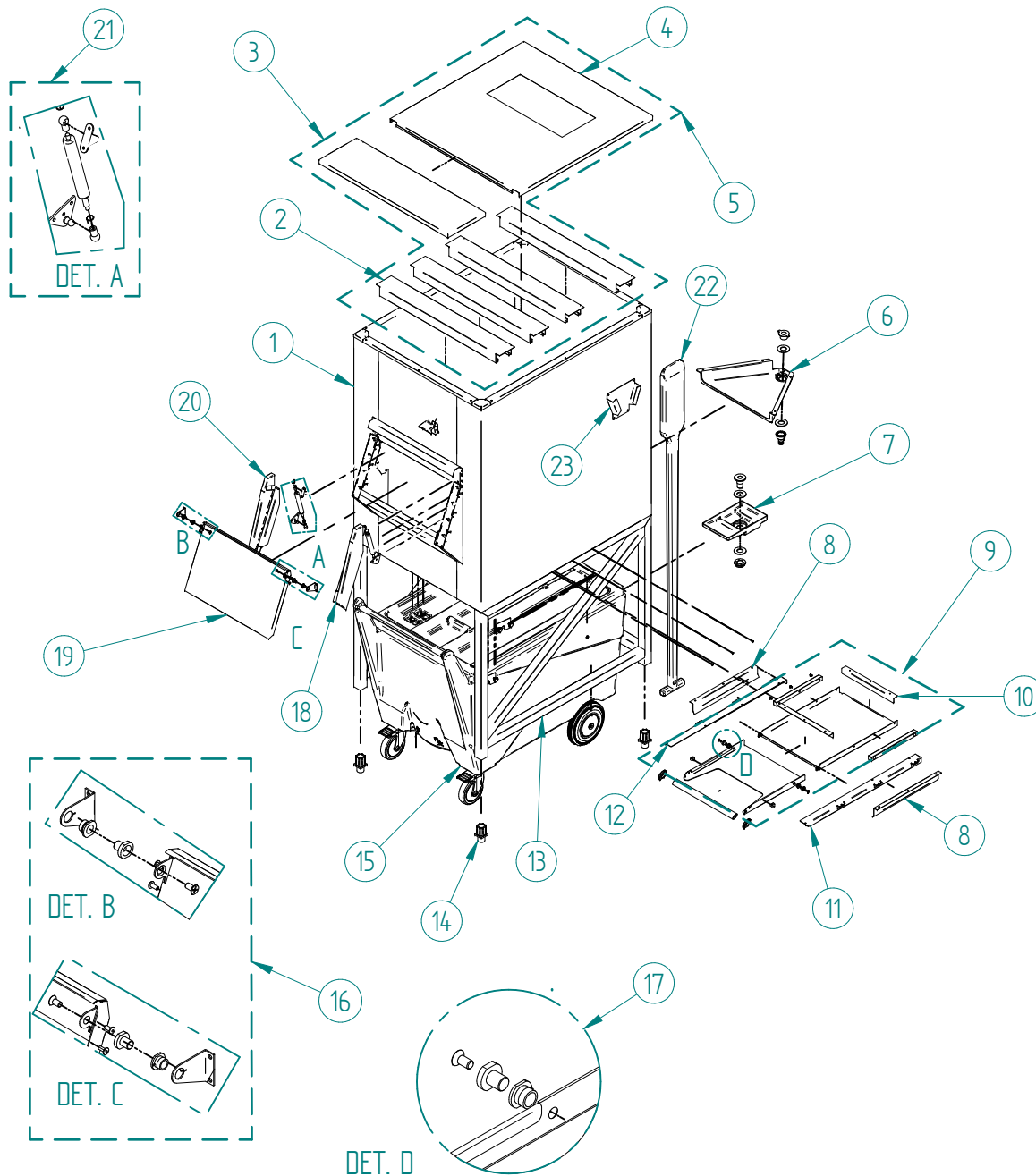




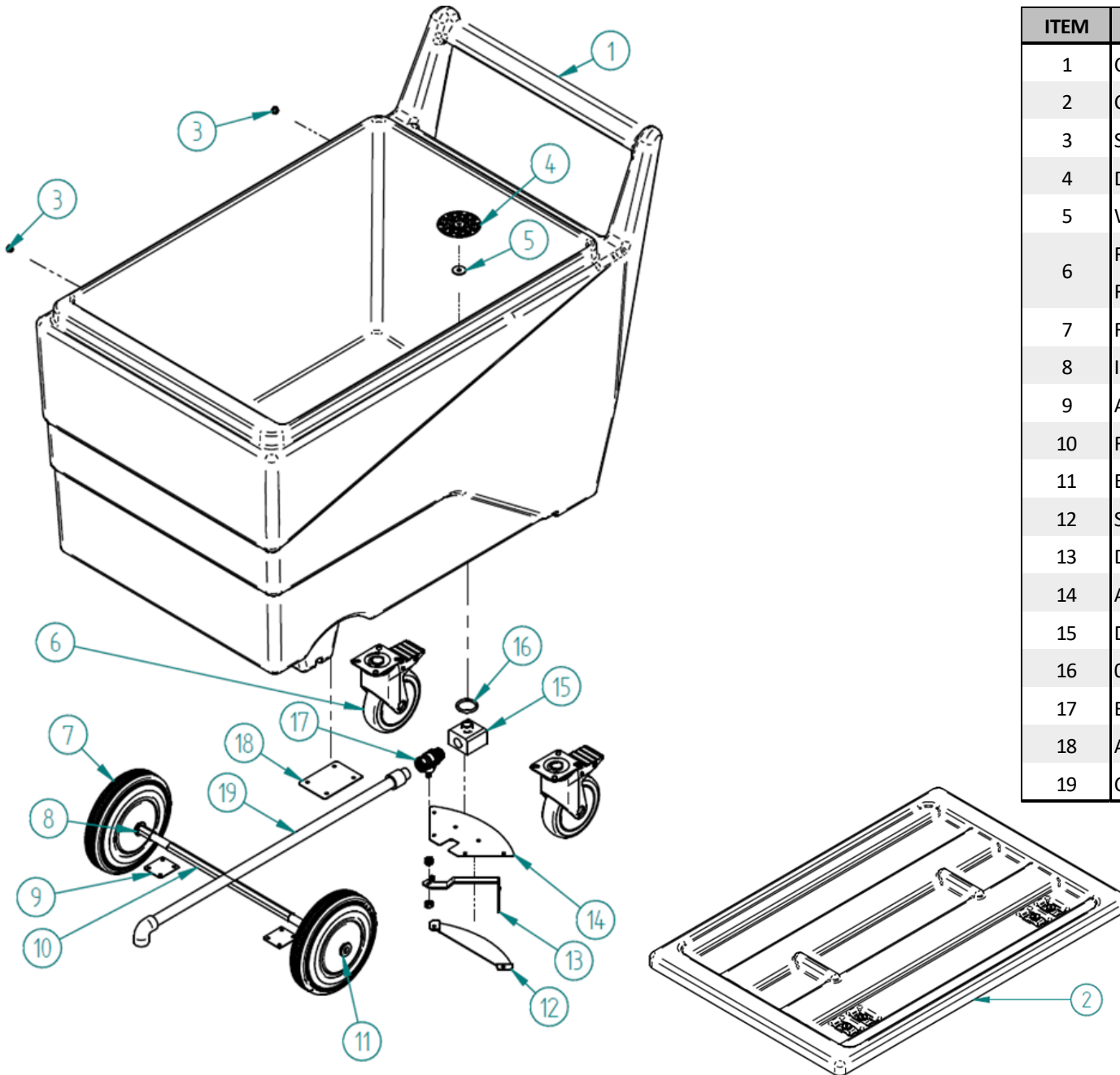
**ITV**  
ICE makers



DESPIECE / REPUESTOS  
EXPLODED VIEW / SPARE PARTS  
EXPLOSIONSZEICHNUNG / ERSATZTEILE  
VUE ÉCLATÉE / PIÈCES DÉTACHÉES  
ESPLOSO / RICAMBI



ITEM	DESCRIPTION	SCS 300
1	BIN	31148
2	BIN COVER REINFORCEMENT	31195
3	UNFIXED COVER SIDE	MS 22 / IQ / MS - MDP 31190
4	FIXED COVER SIDE	SCALA 31191 MS 22 31433 IQ 31320 MS - MDP 31189
5	COVER BIN KIT	SCALA 32126 MQ 32127 MS 22 32038 IQ 32037 MS - MDP 32036
6	UPPER DRAIN TRAY SET	33414
7	LOWER DRAIN TRAY SET	33415
8	DEFLECTOR BRACKET	8766
9	GUILLOTINE KIT	31215
10	ICE EXIT SPAT	8765
11	LEFT GUILLOTINE GUIDE BRACKET	8854
12	RIGHT GUILLOTINE GUIDE BRACKET	8857
13	BIN METALLIC STRUCTURE	31163
14	ADJUSTABLE LEG INOX 40X40	30138
15	CART	30660
16	DOOR AXLE KIT	31707
17	DOOR HINGE KIT	31337
18	RIGH SIDE EXIT FINISH	8864
19	BIN DOOR	31143
20	LEFT SIDE EXIT FINISH	8865
21	SPRING KIT	33416
22	BIN SHOVEL	30148
23	SHOVEL SUPPORT KIT	31213



ITEM	DESCRIPCION	CODE
1	CART	8926
2	CART COVER	31217
3	SCREW FOR THE COVER	8843
4	DRAIN GRILL	8838
5	WATER DEFECTOR	1582
6	REAR WHEEL REAR WHEEL before s/n 18267761	8862A 8862
7	FRONT WHEEL 200 MM DIAM	8861
8	INT. WASHER FRONT WHEEL	8836
9	ANCHOR SHEET FRONT WHEEL	8736
10	FRONT WHEL SHAFT	8863
11	EXT. WASHER FRONT WHEEL	8837
12	SUPPORT BRIDGE	8842
13	DRAIN VALVE FAUCET	8839
14	ANCHOR SHEE VALVE	8841
15	DRAIN CONNECTION	8840
16	O-RING 32X4	8869
17	BALL VALVE 1/2" M-H	8868
18	ANCHOR SHEET DRAIN TUBE	8737
19	CART DRAIN TUBE	31216