

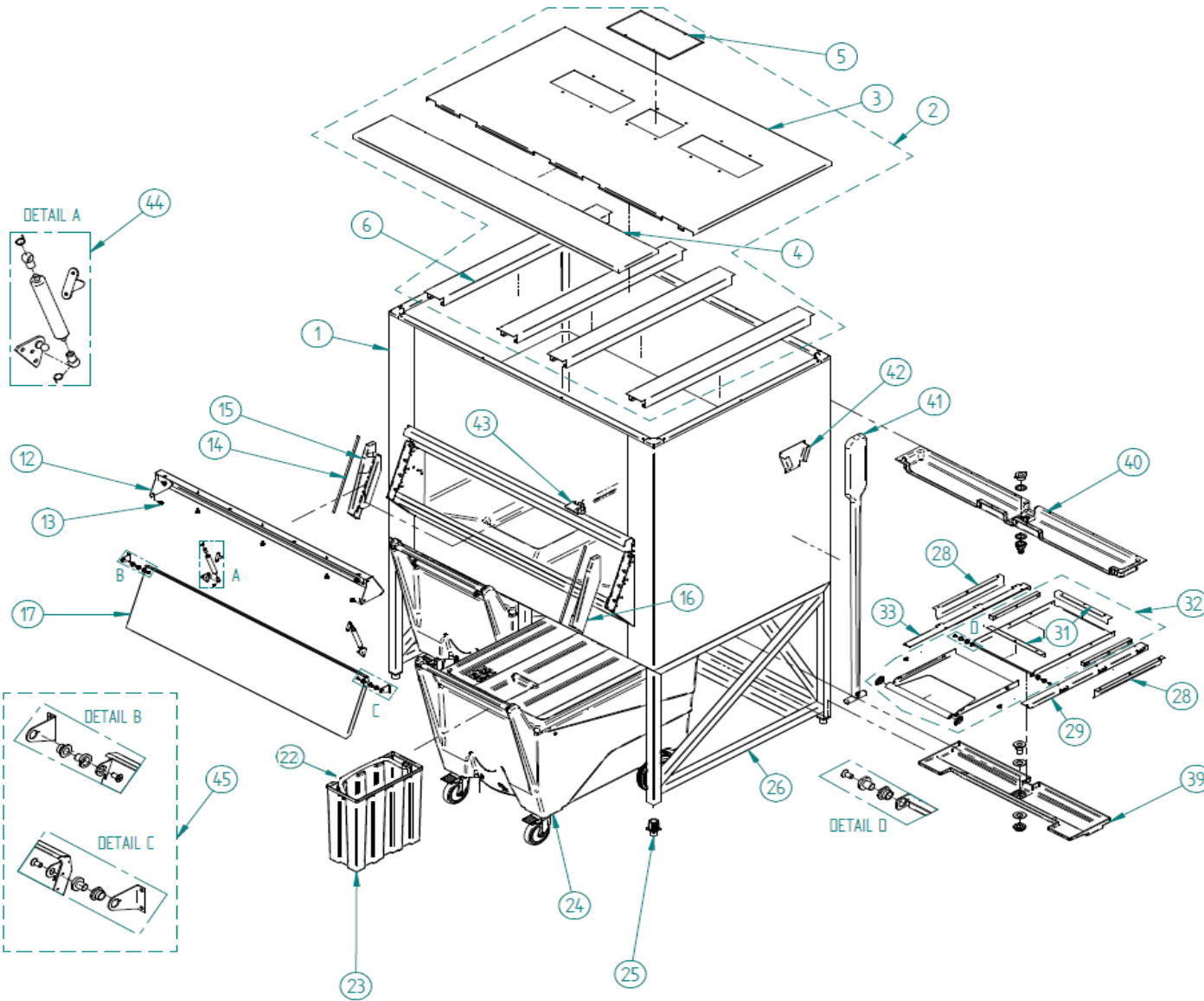
## SCD BIN WITH CART

---

**ITV**  
ICE makers



DESPIECE / REPUESTOS  
EXPLODED VIEW / SPARE PARTS  
EXPLOSIONSZEICHNUNG / ERSATZTEILE  
VUE ÉCLATÉE / PIÈCES DÉTACHÉES  
ESPLOSO / RICAMBI

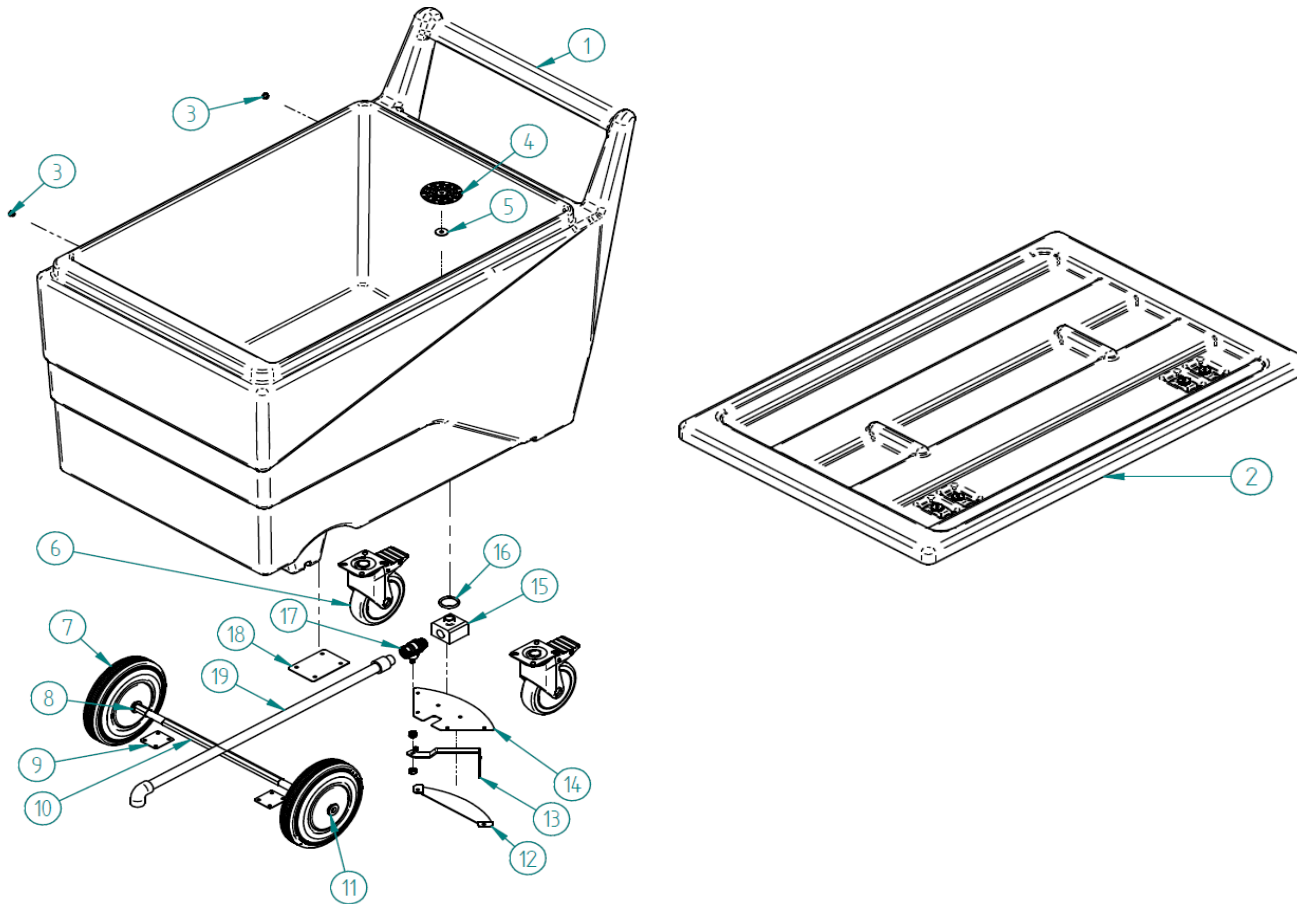


		DESCRIPTION	
<b>BIN</b>			
1	SCD 400	31233	
	SCD 600	31232	
	SCD 800	31231	
<b>COVER BIN KIT</b>			
2	SCD 400 IQ	31222	
	SCD 600-800 IQ	31221	
	SCD 400 SCALA-MS-MDP	31224	
	SCD 600-800 SCALA-MS-MDP	31223	
	SCD 400 MR	31226	
	SCD 600-800 MR	31225	
<b>FIXED COVER SIDE</b>			
3	IQ	30296	
	SCALA-MS-MDP	8753	
	MR	30454	
<b>UNFIXED COVER SIDE</b>			
4	IQ	30297	
	SCALA-MS-MDP	30443	
	MR	30455	
5	ICE CHUTE COVER		30456
<b>BIN COVER REINFORCEMENT</b>			
6	SCD 400	8999	
	SCD 600-800	30185	
12	ICE DEFLECTOR	8752	
13	SCREW M-5 INOX x7	6796	
14	STRAIGHT CONTOUR 10X2	6815	
15	LEFT SIDE EXIT FINISH	8865	
16	RIGH SIDE EXIT FINISH	8864	
17	BIN DOOR	8882	
22	BASKET HANDLE	8860	
23	CART-MOUNTED BASKET	8859	
24	CART	8927	
25	ADJUSTABLE LEG INOX 40X40	30138	
26	BIN METALLIC STRUCTURE	8849	
28	DEFLECTOR BRACKET	8766	
29	LEFT GUILLOTINE GUIDE BRACKET	8854	
31	ICE EXIT SPAT	8765	
32	GUILLOTINE KIT	31215	
33	RIGHT GUILLOTINE GUIDE BRACKET	8857	
39	LOWER DRAIN TRAY SET	31212	
40	UPPER DRAIN TRAY SET	31211	
41	BIN SHIVEL	30148	
42	SHOVEL SUPPORT KIT	31213	
44	SPRING KIT	31706	
45	DOOR AXLE KIT	31707	
*	DOOR HINGE KIT (DETAIL D)	31337	

# CART



# BIN WITH CART



	DESCRIPTION	
1	CART	8926
2	CART COVER	31217
3	SCREW FOR THE COVER	8843
4	DRAIN GRILL	8838
5	WATER DEFLECTOR	1582
6	REAR WHEEL	8862A
	REAR WHEEL before s/n 18267761	8862
7	FRONT WHEEL 200 MM DIAM	8861
8	INT. WASHER FRONT WHEEL	8836
9	ANCHOR SHEET FRONT WHEEL	8736
10	FRONT WHEEL SHAFT	8863
11	EXT. WASHER FRONT WHEEL	8837
12	SUPPORT BRIDGE	8842
13	DRAIN VALVE FAUCET	8839
14	ANCHOR SHEET VALVE	8841
15	DRAIN CONNECTION	8840
16	O-RING 32X4	8869
17	BALL VALVE 1/2" M-H	8868
18	ANCHOR SHEET DRAIN TUBE	8737
19	CART DRAIN TUBE	31216