

## Installation and Operation Manual



### ICE STORAGE BINS WITH CARTS

- SC50
- SC250
- SC350
- SCD400
- SCD600
- SCD800

**TABLE OF CONTENTS**

1.	INTRODUCTION-----	1
	1.1 Warnings-----	1
2.	RECEIPT OF THE MACHINE-----	2
3.	INSTALLATION-----	3
	3.1 Unpacking-----	3
4.	START UP-----	4
	4.1 Levelling the ice storage bin-----	4
	4.2 Drain connection-----	5
	4.3 Ice paddle holder assembly-----	5
5.	OPERATION-----	6
6.	MAINTENANCE AND CLEANING-----	11

## 1. INTRODUCTION

This document describes the installation procedure for the ice storage bin in order to effortlessly store and dispense ice.

The instructions in this manual are applicable for the SC50, SC250, SC350, SCD400, SCD600 and SCD800 models.

These storage units are compatible with ITV ice makers and are suitable for all types of ice. The purpose of ice storage bins with carts is to store the ice produced to satisfy the establishment's needs easily and ergonomically for users.



Carts have been integrated to improve and make the transport of ice easier. They make it possible for users to transport ice to the desired location comfortably and with minimal effort.

### 1.1 Warnings

- Before installing and operating the machine, please read this manual carefully and follow the instructions herein to ensure proper installation and smooth operation.
- It is important to keep this manual for future reference.
- Any use of the product which is not for the storage and transport of ice will be considered as inappropriate.
- Modifying or attempting to modify this product, apart from voiding the warranty, is extremely dangerous.
- To ensure the efficiency and proper operation of this product, it is vital to follow the instructions in this manual, particularly with regard to maintenance and cleaning.

- Do not attempt to repair it yourself. Any work by unqualified persons, apart from being dangerous, can result in damage to the product. In case of a malfunction, contact your distributor. It is advisable to always demand original spare parts.
- The machine should not be used in the open air or exposed to the rain.
- This product is not designed for use by persons (including children) with impaired physical, sensory or mental capacities, or who lack experience or knowledge, except if they have had supervision or instruction in the use of the device from a person responsible for their safety. Children should be supervised to ensure that they do not play with the device.

## 2. RECEIPT OF THE MACHINE

Visually inspect packaging before removing it. In case you see any damage, make the pertinent report to the transport company.

To check whether the machine has been damaged, UNPACK IT IN THE PRESENCE OF THE HAULIER and make a record—on the delivery receipt or on a separate document—of any damage that the machine may have suffered. Since 1 May 1998, ITV has complied with European regulations on the management of Packaging and Packaging Waste.

It is important to always record the machine and model number. This number is marked in three places:

### Packaging

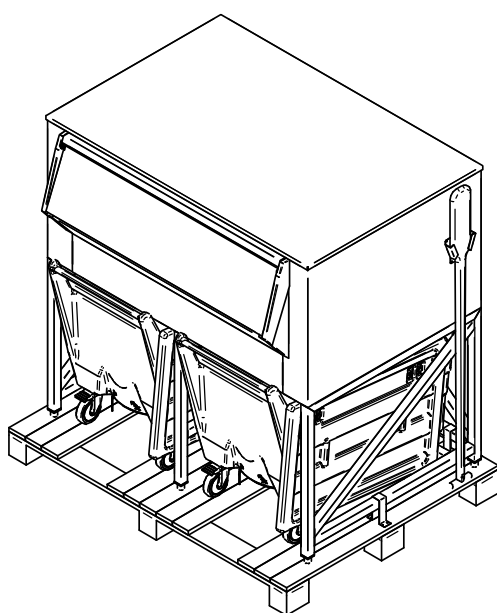
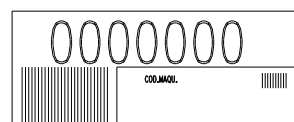
There is an external label with the manufacturer's serial number.

### Exterior of the machine

On the back, on a label that is identical to the front.

### Name plate

ITV		N:0000000			
MODEL:					
V	Hz	A	A	W	
220-240 V	50	3.5	16	300 W	
ref. R22		CONDENSATION-CONDENSATION-REHUMIDIFICATION			
450 gr.		AIRE-AIR-LUFT			



**CAUTION: THE PACKAGING ITEMS (PLASTIC BAGS, CARDBOARD BOXES AND WOODEN PALLETS), MUST NOT BE LEFT WITHIN REACH OF CHILDREN AS THEY ARE A POTENTIAL SOURCE OF DANGER.**

### 3. INSTALLATION

#### 3.1 Unpacking.

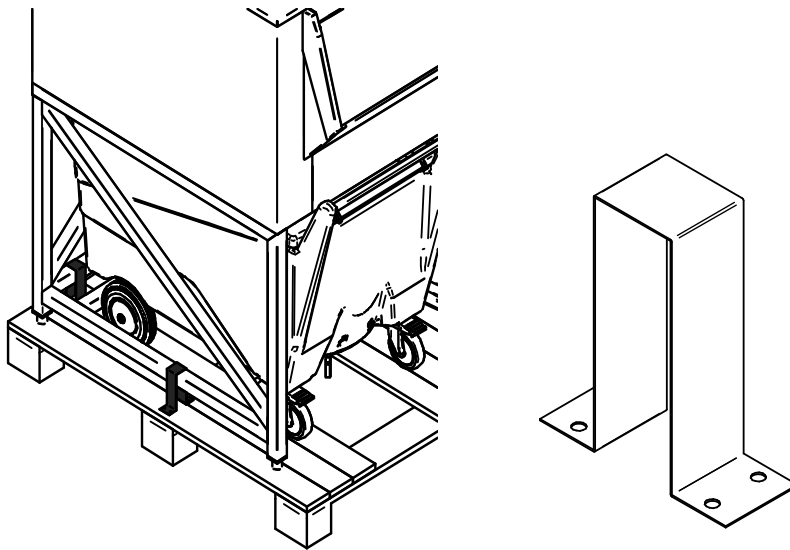
To unpack the product, it is advisable to follow the steps below:

- Cut away the plastic packaging.
- Remove the corner protectors. To do this, cut the straps holding them and take out the ice paddle found on top of the carts.
- Cut the adhesive strips holding the carts, and take out the carts from under the ice storage bin. The wheels of the cart should have been previously unlocked.
- Open the lids of the carts and check that there are two bags inside with items within them.



**Note:** The items that should be inside the bags are: two ice scoops to get ice, a drain hose and this manual.

- Remove the fasteners securing the ice storage bin to the pallet. There is one on each side and two at the back.



- Move the ice storage bin off the pallet and put it in its place.
- Remove the protective plastic film adhesive from the sheet metal.

Once unpacked, check that all items are present:

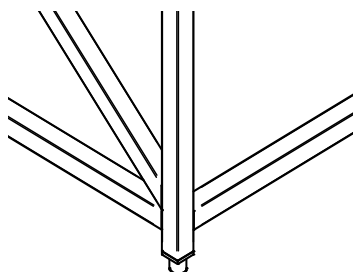
- Ice storage bin
- Two carts
- One large ice paddle and two small ice scoops

- Ice paddle holder
- Drain hose

## 4. START UP

### 4.1 Levelling the ice storage bin

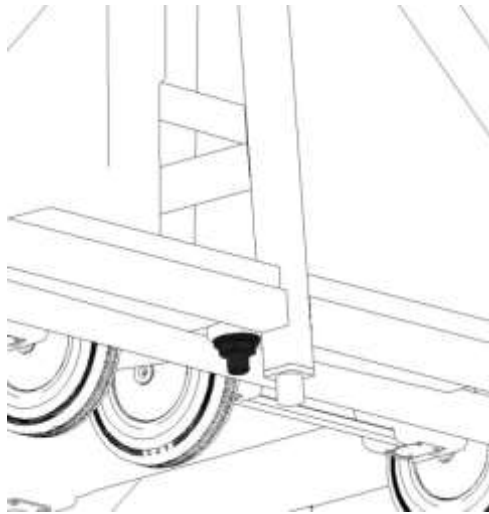
To level the ice storage bin, use the adjustable legs.



**Note:** The legs should not exceed a total height of 54 mm.

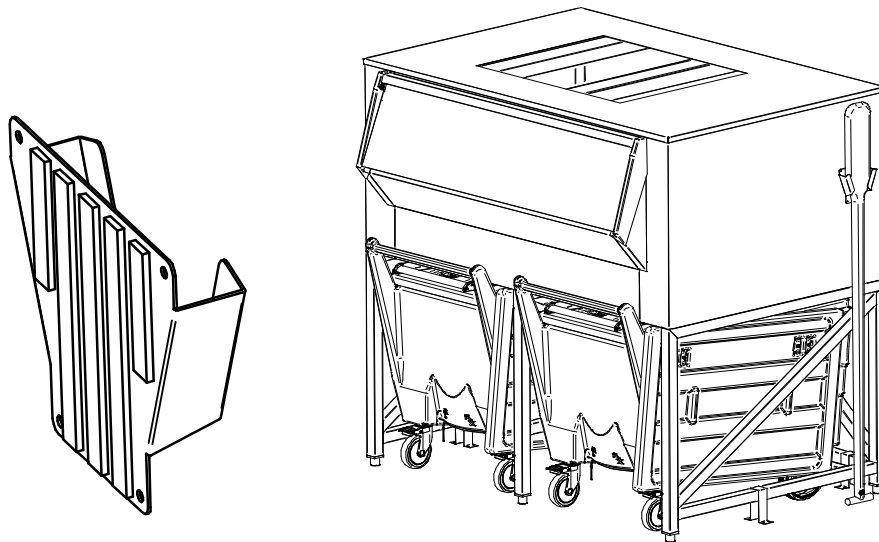
### 4.2 Drain connection

The connection for the drain hose of the ice storage bin is found at the bottom of the back. The drain hose found inside the cart should be connected to it.



Place the bent end onto the connection at the bottom of the ice storage bin by force-fitting. The other part will go to an outside drain.

### 4.3 Ice paddle holder assembly



To attach the ice paddle holder, follow the instructions below:

- Clean the area where the ice paddle holder will be placed thoroughly. Afterwards, dry this area properly.



- Remove the liner from the adhesive tape.
- Position it in the desired location and press firmly.

## 5. OPERATION

Ice is accumulated inside the ice storage bin, where it is stored until it is taken out. Removal is done by following the steps below:

1. Position the cart.
2. Break the ice.
3. Load the ice into the cart.
4. Transport the ice.

### 1. Position the cart.

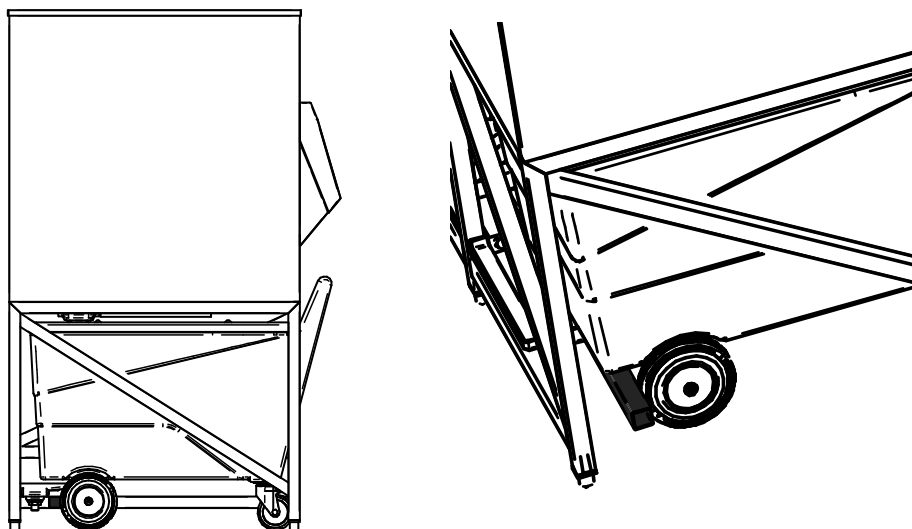
First, check that the lid has been taken off from the cart.

Then, place the lid on the side of the ice storage bin as shown

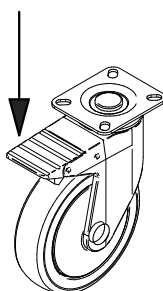


below.

With the lid off, place the cart under the ice storage bin. Check that the cart is pushed all the way to the very end. Its front wheels should touch a tube as shown in the figure.



Immediately after, lock the wheels of the cart. To do this, lower the levers on the rear wheels of the cart. Use your foot to press the levers down.



## 2. Break and position the ice

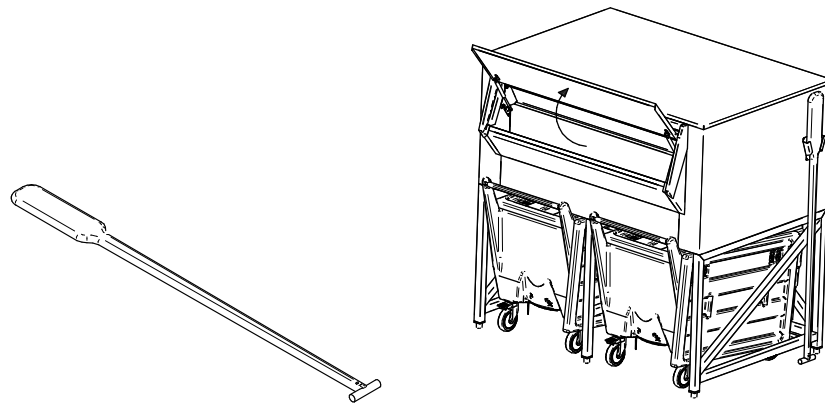
If the ice has been stored for a long time and it becomes compressed, it will be necessary to break the ice. If there is a small amount of ice left, it will be necessary to position the ice at the door.

### 2.1. Break the ice

When the ice has been stored for a certain time, it is possible that it may clump together. Hit the ice with the ice paddle to shake it loose.

## 2.2. Position the ice

When there is only a little ice, it is possible that it is not located at the gate, which means that when the gate opens, not all the ice will fall out. Use the long ice paddle to move the ice to the desired location, so that all of it will fall out.

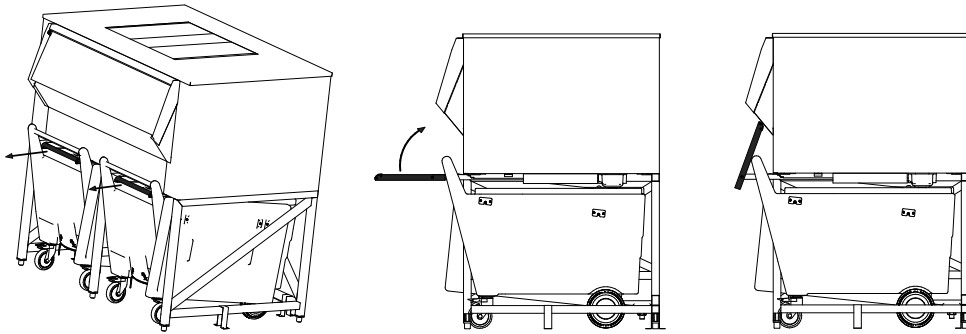


To do this, it is necessary to lift the door in front of the ice storage bin.

## 3. Load the ice.

Once the cart has been placed under the ice storage bin properly, pull the handle of the gate towards you as far as it will go.

Once the handle has been pulled out as far as possible, flip it up and lean it against the ice storage bin. The ice will immediately fall into the cart.



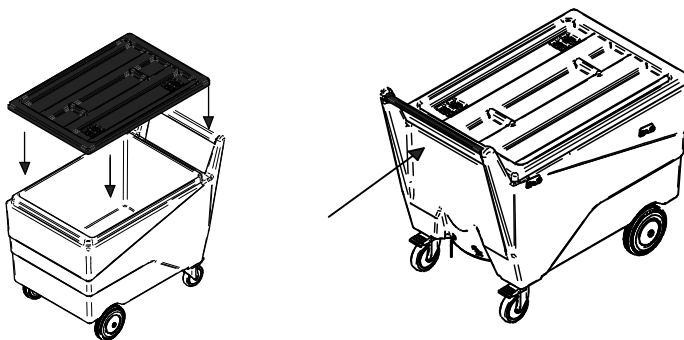
Once the cart is full enough, place the gate back in its original position, cutting off access for the ice. To do this, lower the handle and push the gate back inside as far as it will go.

#### 4. Transport the ice.

First, remove the brakes on the wheels, lifting them with your foot. In addition, it is necessary to close off the drain on the cart which is found at the bottom of it, to keep water from leaking out while the cart is moving.

Pull the cart handle and take out the cart from under the ice storage bin.

Place the lid on the cart, to better preserve the ice during transport.



With the lid on, the cart is ready to transport the ice.

## 5. Ice removal

Once the cart has been placed in the desired location, the ice is taken out using the blue ice scoops that came with the ice storage bin.

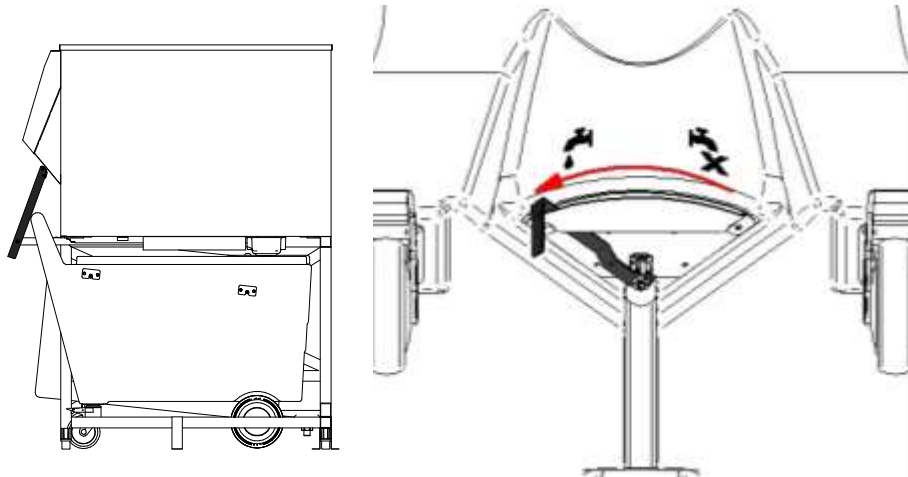


## 6. Water removal

The cart has a drain so that the water which comes from the ice stored in the cart does not remain in it, to better preserve the ice.

To empty the cart, it is advisable to place it under the ice storage bin.

Once in place, there is a manual valve at the bottom of the cart. Open this valve to let the water flow out. The water will go to the lower drain tray of the ice storage bin.



Once all the water has drained out of the cart, close off the valve.

## 6. MAINTENANCE AND CLEANING

**CAUTION: MAINTENANCE AND CLEANING, AS WELL AS MALFUNCTIONS THAT RESULT FROM NOT CARRYING THEM OUT, ARE NOT COVERED BY THE WARRANTY.**

Maintenance and cleaning intervals depend on the conditions of the premises where the machine is installed, water quality and time of use.

### Cleaning and maintenance of the ice storage bin interior

- The ice storage bin interior should be cleaned and disinfected before use, and it should be cleaned regularly while in use.
- The ice storage bin interior is fitted with polyethylene-lined walls, which should be cleaned and disinfected periodically using a product suitable for food-contact areas.

### Cleaning of carts

- The cart interior should be cleaned and disinfected using an approved cleaning product, and it should be cleaned regularly while in use.

### Cleaning of stainless steel parts (body and gates)

- Stainless steel surfaces can be cleaned using a special stainless steel cleaner.
- Remove the protective plastic film adhesive for stainless steel equipment immediately. If left in place, the plastic will crack over time and products and grease—which are damaging to stainless steel—will accumulate.
- Do not use abrasive cleaners or metal scourers that are NOT SUITABLE for stainless steel.
- When using special stainless steel cleaners, always follow the manufacturer's instructions, and rinse off the treated area with plenty of water and dry it off properly.

**CLEANING TIPS:**

- Keep the ice paddle clean and in good condition to prevent contamination of the ice.
- Do not use metal or abrasive scourers.
- Follow the direction of the polish lines (if any). Making circles with the scourer could damage the appearance of the surface.
- The formation of limescale, salt or grease deposits, among others, can also cause corrosion.
- Clean regularly. It is easier to remove stains before they dry out. They can attack stainless steel.
- Keep the use of metal scourers to a minimum and make the use of cloths on glossy surfaces mandatory.

**PRODUCTS THAT MUST NOT COME INTO CONTACT WITH STAINLESS STEEL:**

- Concentrated and/or hot bleach.
- Concentrated or hot disinfectants.
- Hydrochloric acid (descaling of tiles) despite being diluted or cold.
- Steel brushes or metal scourers, particularly those made of stainless steel.
- Any other product that attacks steel or the plastic of the interior.