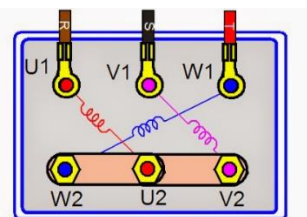


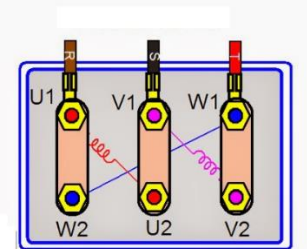
**CHANGE FROM DRIVE TO CONTACTOR IN SCALA SPLIT**

To remove the drive from the electrical panel and place a thermal contactor, follow the steps below:

- Disconnect the unit from the power supply.
- Remove electrical panel cover, remove the upper terminal block for better access.
- Place the contactor with the thermal and phase relay in the box, removing the speed converter.
- See diagram to connect everything according to the mechanical Split (rewiring).
- **Power reducer move from triangle to star.**



Star



Triangle

FC – photocell

Ip – main switch

Pw – water pressure switch

Ta – start timer

Td - disconnection timer

SL – liquid solenoid

Ra – start relay

Df – phase detector

C1 – gear motor contactor

Mr – gear motor

Mb – pump

Pd – remote stop

I – Themic relay

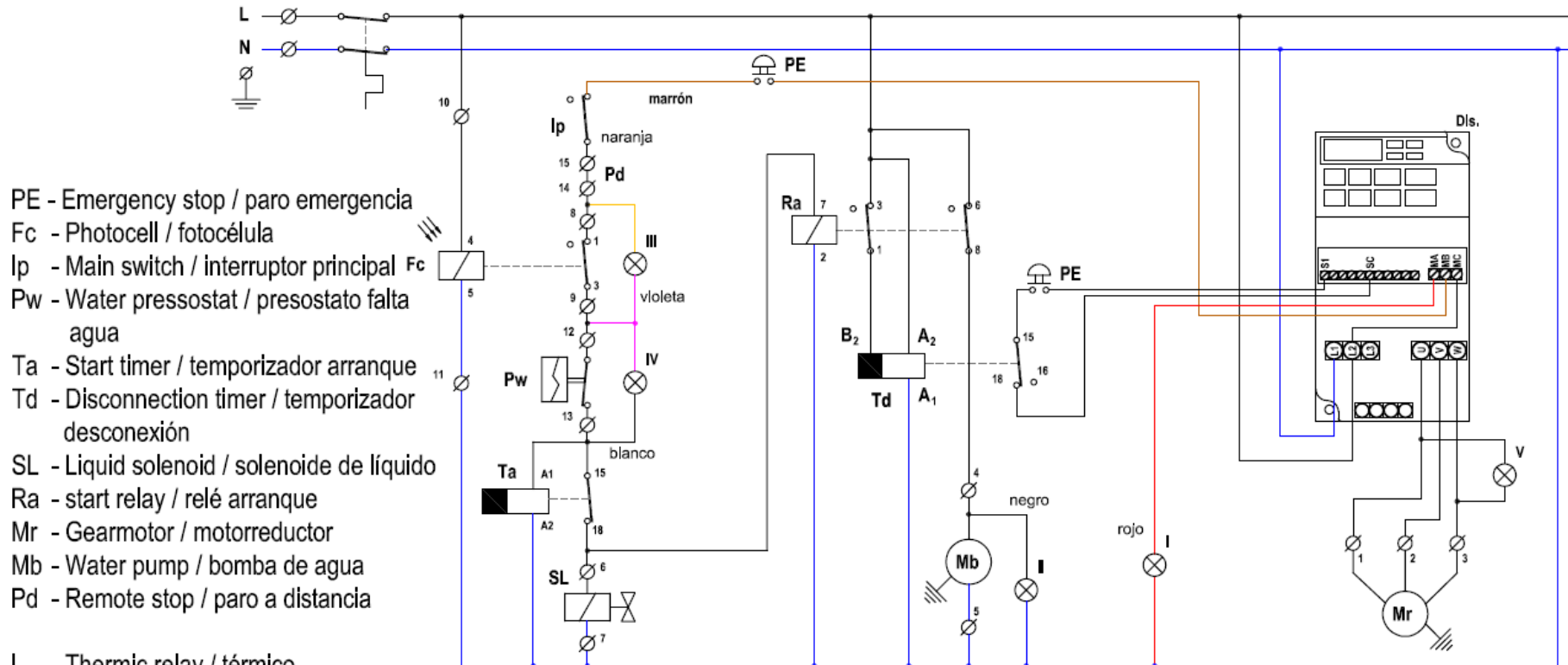
II – Water pump on

III – Full bin

IV – Water failure

V – Phase changed

### SCALA SPLIT WITH DRIVE



- PE - Emergency stop / paro emergencia
- Fc - Photocell / fotocélula
- Ip - Main switch / interruptor principal
- Pw - Water pressostat / presostato falta agua
- Ta - Start timer / temporizador arranque
- Td - Disconnection timer / temporizador desconexión
- SL - Liquid solenoid / solenoide de líquido
- Ra - start relay / relé arranque
- Mr - Gearmotor / motorreductor
- Mb - Water pump / bomba de agua
- Pd - Remote stop / paro a distancia
- I - Thermic relay / térmico
- II - Water pump on / bomba en marcha
- III - Full bin / depósito lleno
- IV - Water failure / falta agua
- V - Gearmotor on / motoreductor en marcha

