



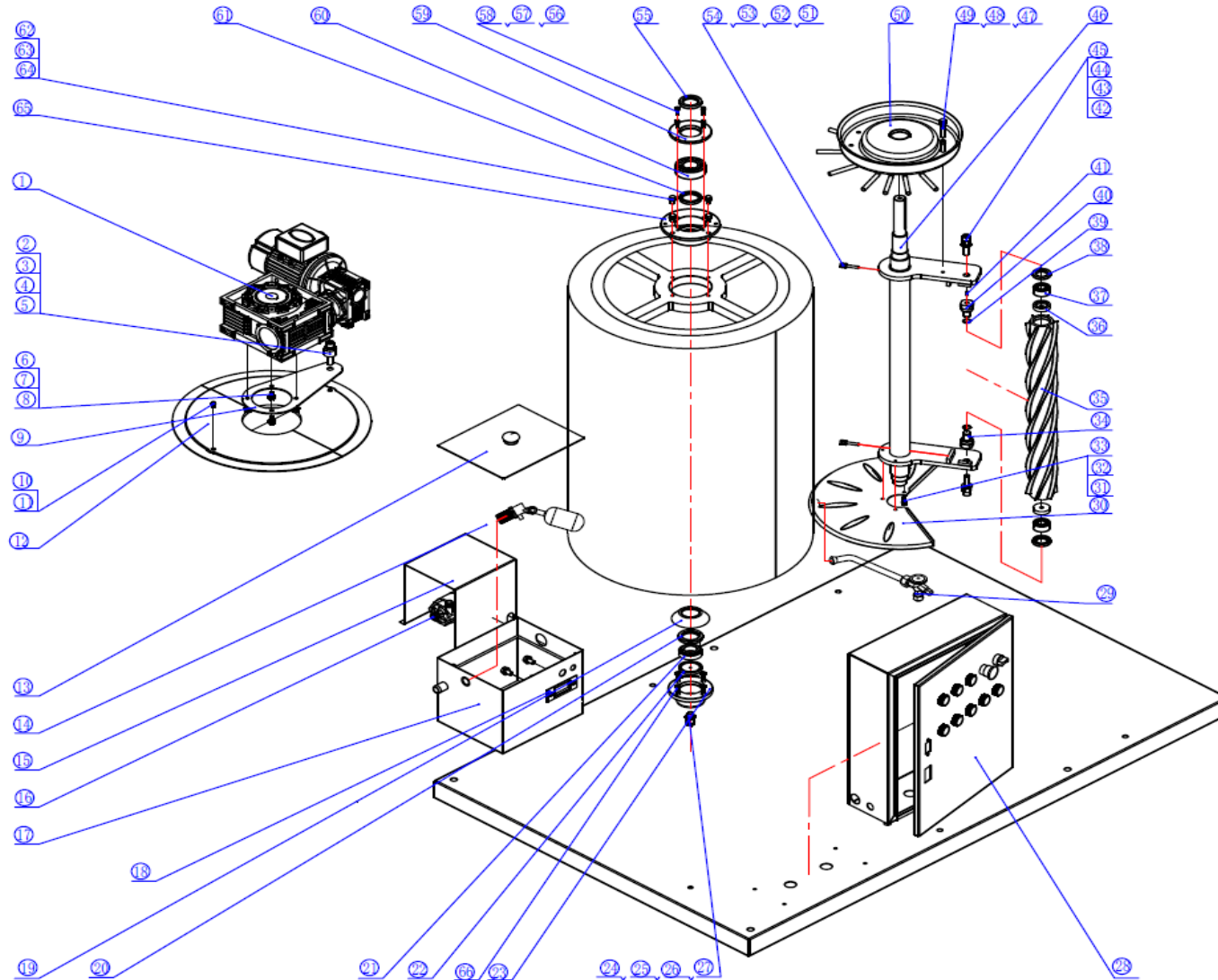
## SCALA

---

**ITV**  
ICE makers

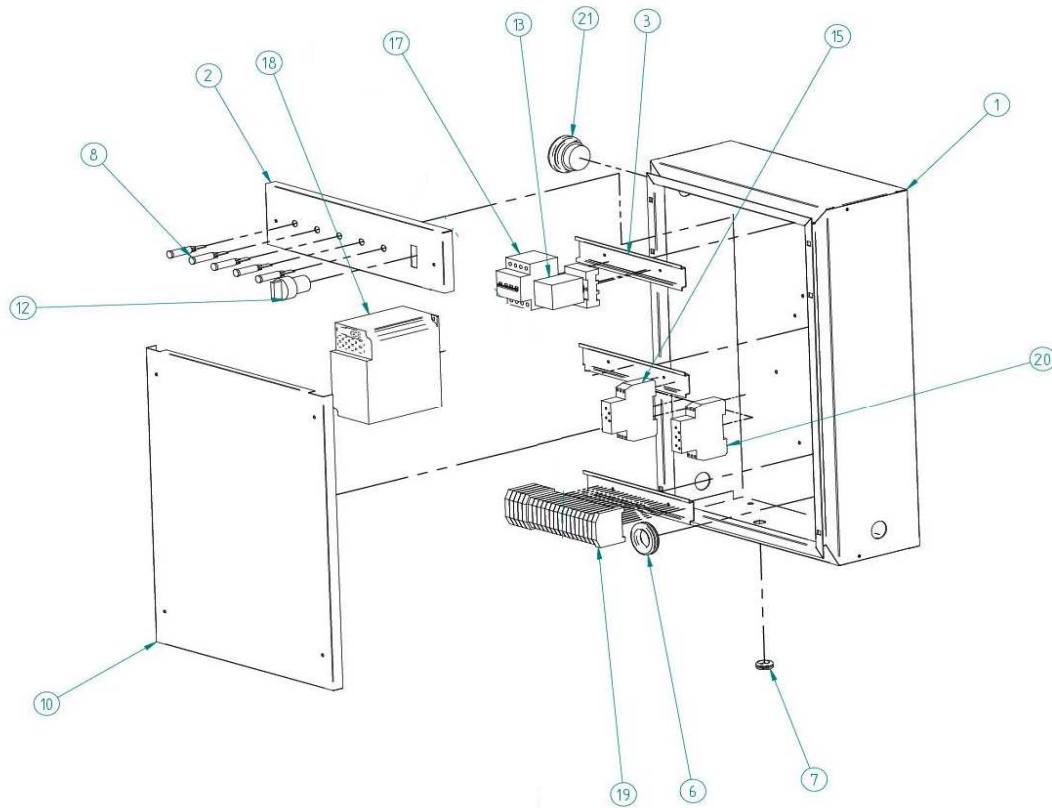


DESPIECE / REPUESTOS  
EXPLODED VIEW / SPARE PARTS  
EXPLOSIONSZEICHNUNG / ERSATZTEILE  
VUE ÉCLATÉE / PIÈCES DÉTACHÉES  
ESPLOSO / RICAMBI



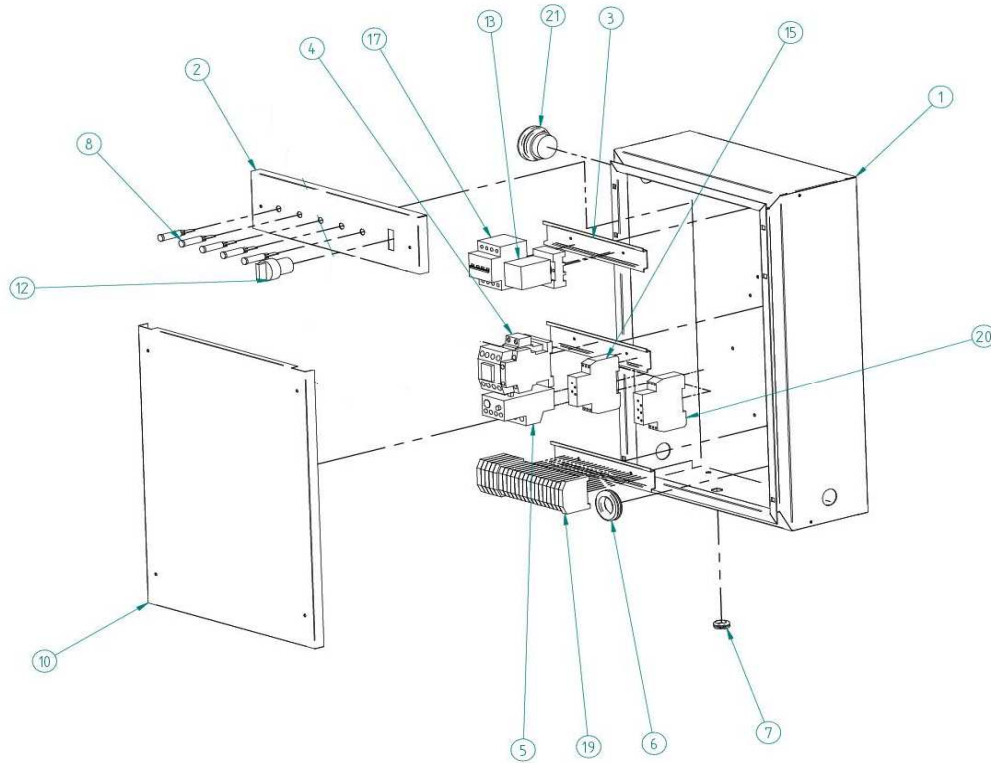
DESCRIPTION		
1	GEAR MOTOR 0,18 KW	49124
2	MOTOR 0,18 KW	49136
3	WASHER GEAR MOTOR SUPPORT	
4	GROVER WASHER	48687
5	WASHER	48686
6	SCREW M10 X 20	48685
7	GROVER WASHER	31414
8	SCREW M8 X 16	31415
9	WASHER	31416
10	GEAR MOTOR SUPPORT	31930
11	WASHER	
12	SCREW M12 x 50	
13	EVAPORATOR COVER	31595
14	WATER TANK COVER	35451
15	FLOAT	82804
16	WATER PUMP COVER	
17	WATER PUMP SCALA 1000-2000	49106
18	WATER PUMP SCALA 3000	499107
19	WATER TANK	35450
20	WATER TANK GASKET	31891
21	WATER GASKET	31892
22	OIL SEAL BOTTOM BEARING	31663
23	BOTTOM BEARING 32005 (SFK)	49118
24	BOTTOM BEARING WASHER	30967
25	PULLING PAD BOTTOM BEARING	30966
26	GROVER WASHER	
27	WASHER	
28	NUT	
29	SCREW M12 X 45	
30	ELECTRIC BOX	8320
31	EXPANSION VALVE	
32	WATER CATCHING TRAY	49126
33	GROVER WASHER	
34	WASHER	
35	SCREW M6 X 25	
36	AUGER BOTTOM BEARING SUPPORT	49152
37	AUGER	
38	SCALA 1000	49110
39	SCALA 2000	49112
40	SCALA 3000	49113
41	BEARING PAD	31890
42	AUGER BEARING 3201-2RS (SFK)	49108
43	OIL SEAL TC18*35*7	1510
44	CIRCLIP	1867
45	AUGER UPPER BEARING SUPPORT	49151
46	BEARING PAD	31890
47	GROVER WASHER	48687
48	NUT	31621
49	WASHER	48686
50	SCREW M12 X 45	48685
51	MAIN AUGER SUPPORT AXLE	49151
52	GROVER WASHER	
53	WASHER	
54	SCREW M8 X 45	
55	WATER TRAY	49131
56	GROVER WASHER	
57	WASHER	
58	SCREW M5 X 20	30971
59	UPPER BEARING PAD	30969
60	UPPER BEARING 22206 (SFK)	49115
61	UPPER BEARING OIL RING TC38*55*8	31662
62	GROVER WASHER	
63	WASHER	
64	SCREW M6 X 30	
65	UPPER BEARING BOX	60968
66	SCREW M6 X 16	

## SPLIT SCALA ELECTRIX BOX WITH FREQUENCY VARIATOR



DESCRIPTION		
1	ELECTRIC BOX	6174
2	ELECTRIC BOX UPPER COVER	6175
3	DIN RAIL	8356
6	WIRE HOLE GASKET	2520
7	WIRE HOLE	373
8	RED LIGHT 220V	1457
9	ORANGE LIGHT 220V	1458
10	ELECTRIC BOX BOTTOM COVER	6176
12	TWO POSITIONS SWITCH	30078
13	RELAY MK 2P 220V	390
14	RELAY BASE	391
15	START TIMER	3424
16	GREEN LIGHT 220V	4280
17	BREAKER 2P 10A	8297
18	FREQUENCY VARIATOR (GEAR MOTOR)	7918
19	CONNECTOR	8241+8244
20	STOP TIMER	6155
21	EMERGENCY SWITCH	47486
*	PHOTOCELL	30991

## SPLIT SCALA ELECTRIC BOX WITHOUT FREQUENCY VARIATOR



DESCRIPTION		
1	ELECTRIC BOX	6174
2	ELECTRIC BOX UPPER COVER	6175
3	DIN RAIL	8356
4	CONTACTOR MC-9A 220V	536A
	AUXILIAR CONTACT	6793
6	WIRE HOLE GASKET	2520
7	WIRE HOLE	373
8	RED LIGHT 220V	1457
9	ORANGE LIGHT 220V	1458
10	ELECTRIC BOX BOTTOM COVER	6176
12	TWO POSITIONS SWITCH	30078
13	RELAY MK 2P 220V	390
14	RELAY BASE	391
15	START TIMER	3424
16	GREEN LIGHT 220V	4280
17	BREAKER 4P C16	47397
19	CONNECTOR	8241+8244
20	STOP TIMER	6155
21	EMERGENCY SWITCH	47486
*	PHASE SEQUENCE RELAY	3210
*	PHOTOCELL	30991