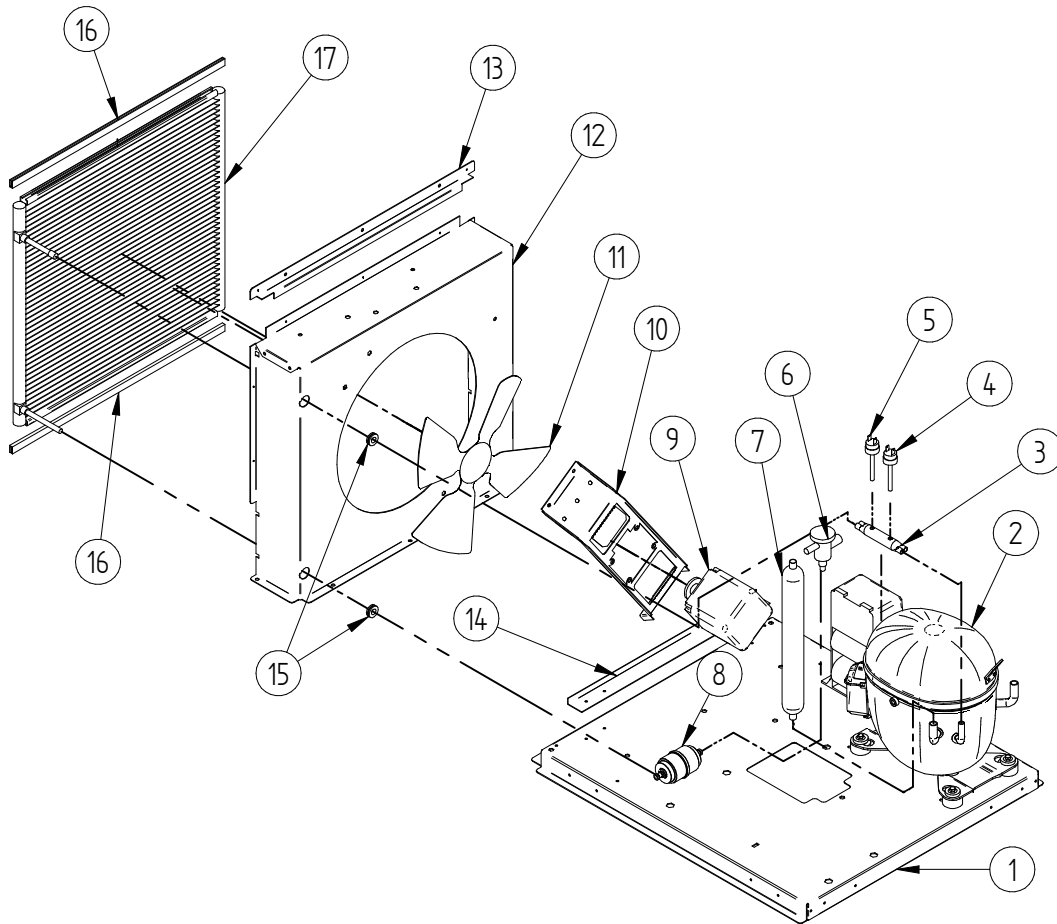
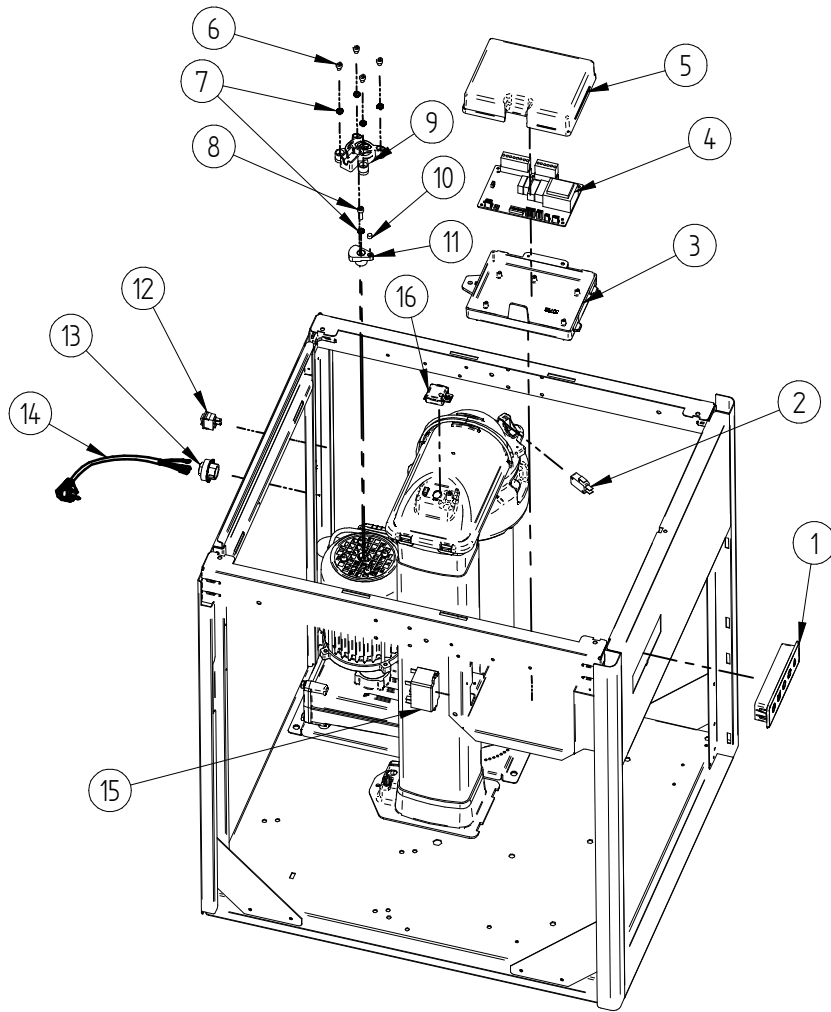




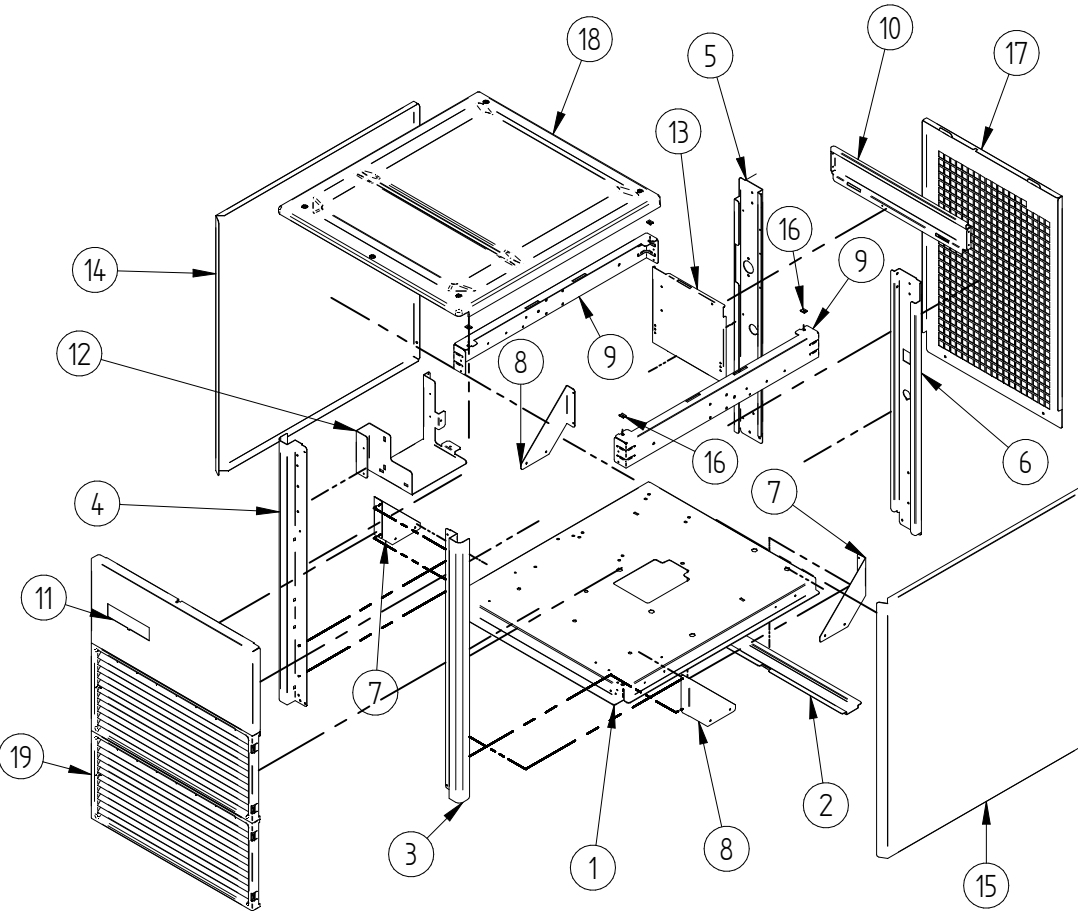
DESPIECE / REPUESTOS
EXPLODED VIEW / SPARE PARTS
EXPLOSIONSZEICHNUNG / ERSATZTEILE
VUE ÉCLATÉE / PIÈCES DÉTACHÉES
ESPLOSO / RICAMBI



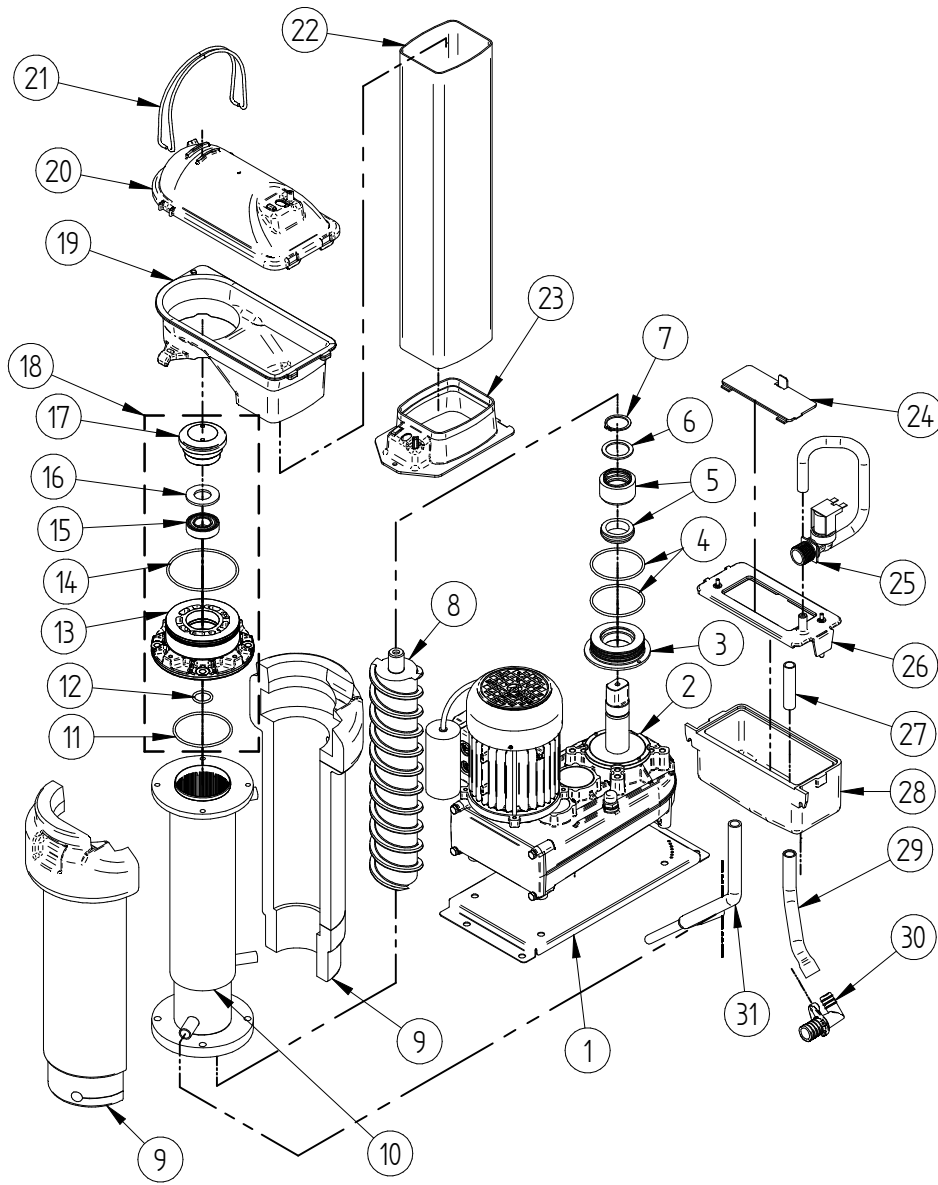
| ITEM | DESCRIPTION | IQN/F 300 | IQN/F 300 | IQN/F 500 |
|------|-------------------------------|-----------|-------------|-----------|
| | | 220V/50HZ | 115V/60HZ | 220V/50HZ |
| 1 | BENCH | | 31463 | |
| 2 | COMPRESSOR 220V/50HZ | 31310 | - | 32381 |
| | COMPRESSOR 115V/60HZ | - | 31457 | - |
| 3 | PRESSURE SWITCH COLLECTOR | | 31444 | 32695 |
| 4 | HIGH PRESSURE SWITCH | | 31660E | |
| 5 | CONDENSATION PRESSURE SWITCH | | 31160E | |
| 6 | EXPANSION VALVE | 31524 | | 32346 |
| 7 | SUCTION ACCUMULATOR | 6805 | | 8185 |
| 8 | DRIER FILTER | | 2560 | |
| 9 | FAN MOTOR 220V/50-60HZ + WIRE | | 32895+35130 | |
| | FAN MOTOR 115V/60HZ + WIRE | | | |
| 10 | FAN SUPPORT | | 32653 | |
| 11 | FAN BLADE | | 6398 | |
| 12 | CONDENSER BOX | | 31748 | |
| 13 | UPPER CONDENSER REINFORCEMENT | | 31749 | |
| 14 | LOWER CONDENSER REINFORCEMENT | | 31750 | |
| 15 | RUBBER GROMMET | | 31746 | |
| 16 | RUBBER REINFORCEMENT | | 31747 | |
| 17 | CONDENSER | | 31683 | |



| ITEM | DESCRIPTION | IQN/F 300 | IQN/F 300 | IQN/F 500 |
|------|-------------------------------|-----------|-----------|-----------|
| | | 220V/50HZ | 115V/60HZ | 220V/50HZ |
| 1 | LED PANEL | | 30566A | |
| 2 | ICE FULL MICRO SWITCH | | 32658 | |
| 3 | ELECTRIC BOX | | 30792 | |
| 4 | ELECTRONIC BOARD 220V/50-60HZ | 30564C | - | 30564C |
| | ELECTRONIC BOARD 115V/60HZ | - | 30565C | - |
| 5 | ELECTRIC BOX COVER | | 31274 | |
| 6 | SCREW | | 2595 | |
| 7 | WASHER | | 291 | |
| 8 | SCREW | | 47743 | |
| 9 | ROTATION SENSOR | | 30568 | |
| 10 | MAGNET | | 30448 | |
| 11 | MAGNET SUPPORT | | 30449 | |
| 12 | SWITCH | | 32416 | |
| 13 | CABLE RESTRAINER | | 4907 | |
| 14 | POWER CORD | 408 | - | 408 |
| | POWER CORD | - | 2771 | - |
| 15 | RELAY 220V/50-60HZ | 32502 | - | 32502 |
| | RELAY 115V/60HZ | - | 32501 | - |
| 16 | STOCK ICE SENSOR | | 31261 | |



| ITEM | DESCRIPTION | IQN/F 300 220V/50HZ | IQN/F 300 115V/60HZ | IQN/F 500 220V/50HZ |
|------|----------------------------|------------------------|------------------------|------------------------|
| 1 | BENCH | | 31463 | |
| 2 | OMEGA BENCH | | 31504 | |
| 3 | RIGHT SUPPORT | | 31464 | |
| 4 | LEFT SUPPORT | | 31465 | |
| 5 | LEFT REAR SUPPORT | | 31467 | |
| 6 | RIGHT REAR SUPPORT | | 31466U | |
| 7 | SUPPORT REINFORCEMENT | | 31468 | |
| 8 | SUPPORT REINFORCEMENT | | 31469 | |
| 9 | SIDE REINFORCEMENT | | 31470 | |
| 10 | REAR SUPPORT REINFORCEMENT | | 31472 | |
| 11 | TOP SUPPORT | | 31473 | |
| 12 | ELECTRICAL BOX SUPPORT | | 31483 | |
| 13 | WATER BIN SUPPORT | 31477 | | 32500 |
| 14 | LEFT PANEL | | 31475 | |
| 15 | RIGHT PANEL | | 31474 | |
| 16 | NUT | | 311 | |
| 17 | REAR PANEL | | 31476 | |
| 18 | TOP PANEL | | 30423 | |
| 19 | AIR GRID | | 4186 | |



| ITEM | DESCRIPTION | IQN/F 300 220V/50HZ | IQN/F 300 115V/60HZ | IQN/F 500 220V/50HZ |
|------|--|------------------------|------------------------|------------------------|
| 1 | GEAR MOTOR SUPPORT (*consult serial number) | 31484 / 33672 | | |
| 2 | GEAR MOTOR (*consult serial number) | 30562 / 30889 | 30563B / 33676A | 30249 / 30356 |
| 3 | EVAPORATOR SUPPORT | 30435 | | 32368 |
| 4 | O-RING | 30492 | | 32369 |
| 5 | MECHANICAL CLOSING | 8962 | | |
| 6 | WASHER | 30576 | | |
| 7 | SEEGER WASHER | 8957 | | |
| 8 | AUGER | 30436 | | 30006 |
| 9 | EVAPORATOR INSULATION | 31247 | | 31777 |
| 10 | EVAPORATOR | 31604 | | 32374 |
| 11 | O-RING | 30496 | | 8954 |
| 12 | O-RING | 30494A | | 8953A |
| 13 | FLAKER EXTRUDER (IQF) NUGGETS EXTRUDER (IQN) | 30589 | | 31245A 31244A |
| 14 | O-RING | 8954 | | |
| 15 | BEARING | 30495 | | 32370 |
| 16 | FLAT WASHER | 30577 | | 32371 |
| 17 | FLAKER ICE BREAKER (IQF) NUGGETS ICE BREAKER (IQN) | 30590 | | 31425 31424 |
| 18 | CONVERSION KIT OF IQN INTO IQF CONVERSION KIT OF IQF INTO IQN | 32956 | | 32958 32959 |
| 19 | ICE EXIT | 30452 | | |
| 20 | ICE EXIT COVER | 30445A | | |
| 21 | O-RING | 30499A | | |
| 22 | ICE EXIT CHUTE | 33266 | | 33267 |
| 23 | ICE EXIT CHUTE SUPPORT | 30791 | | |
| 24 | COVER | 1968G | | |
| 25 | WATER INLET 220V/50-60HZ WATER INLET 115V/60HZ | 31780 - | - 31779 | 31780 - |
| 26 | WATER TANK COVER | 30432 | | |
| 27 | OVERFLOW TUBE | 31781 | | |
| 28 | WATER TANK | 1966A | | |
| 29 | DRAIN PIPE | 30856 | | |
| 30 | DRAIN CONNECTOR | 30850 | | |
| 31 | WATER INLET PIPE | 30855 | | |