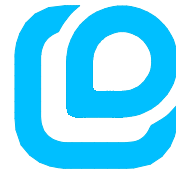
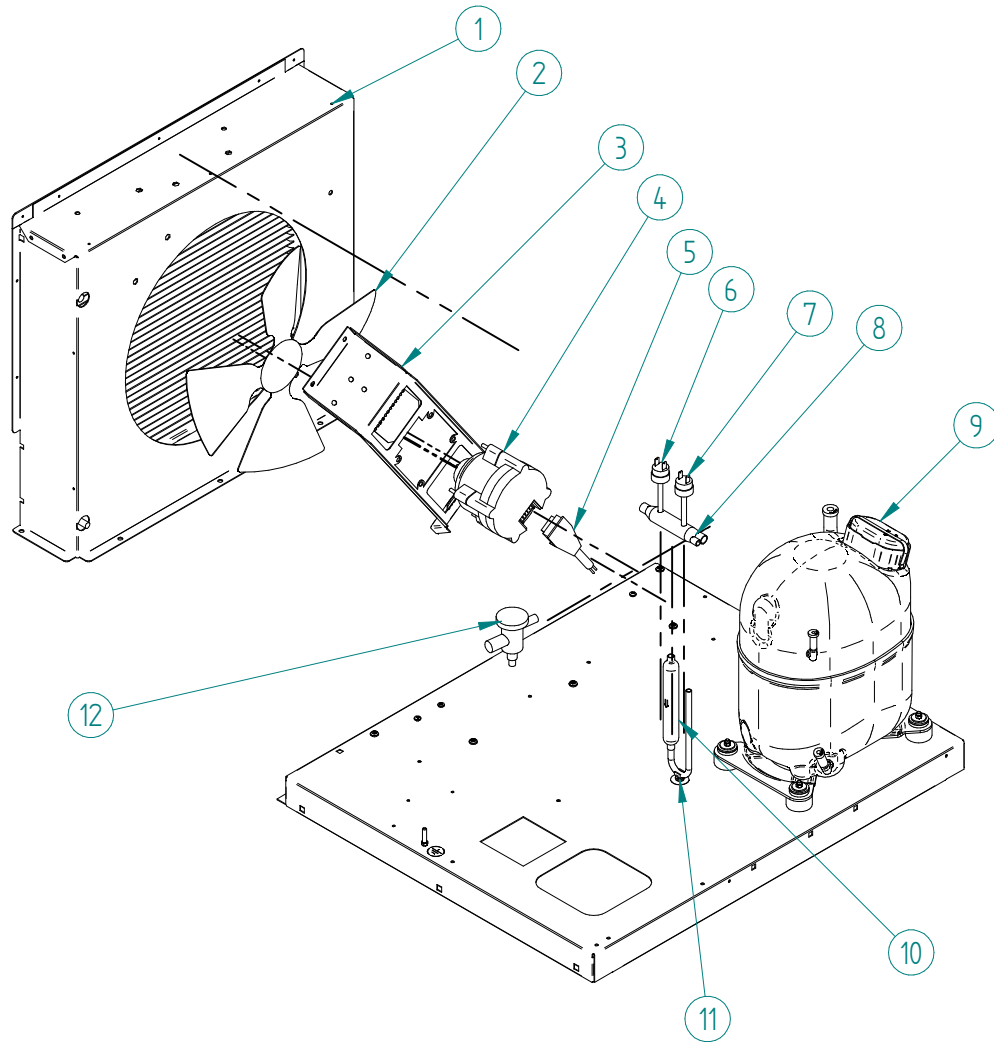




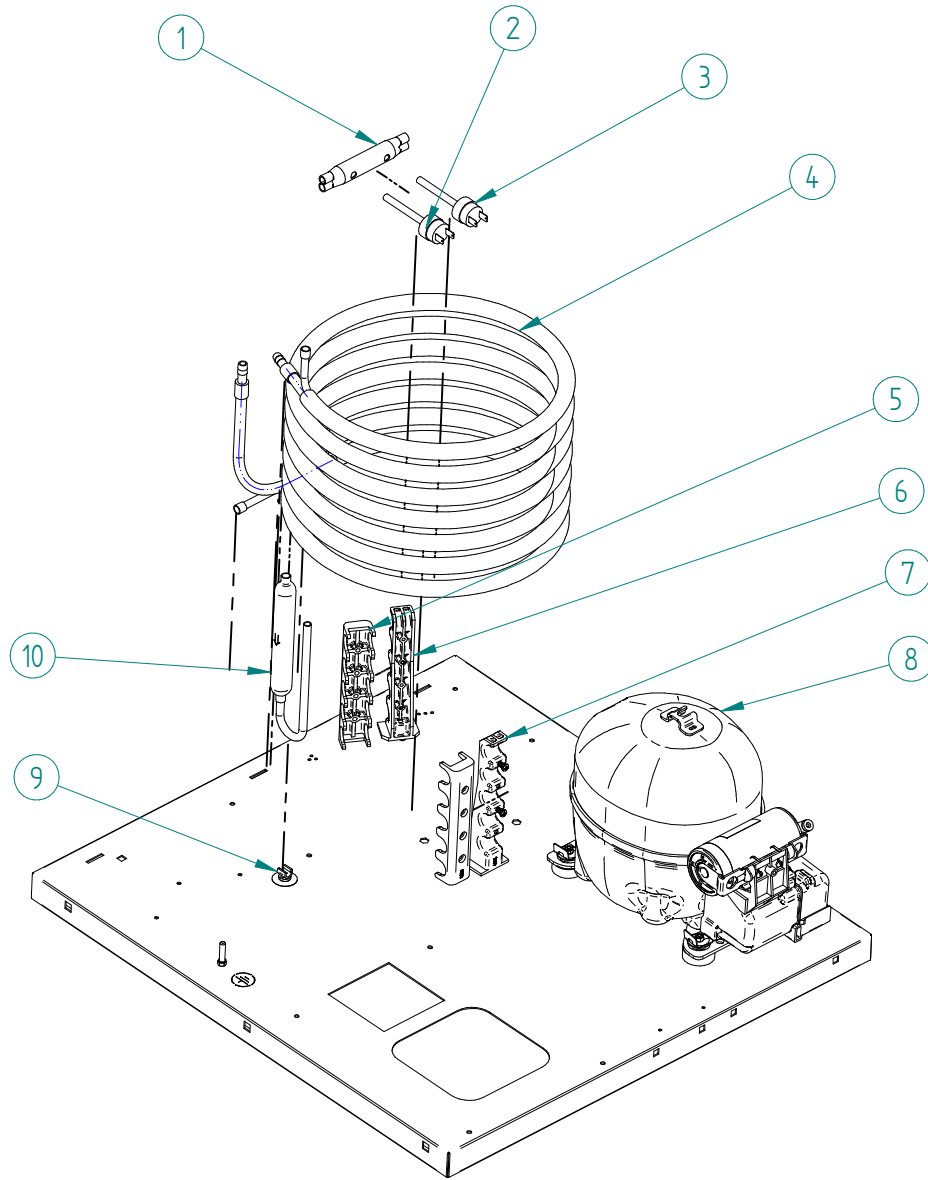
ITV
ICE makers



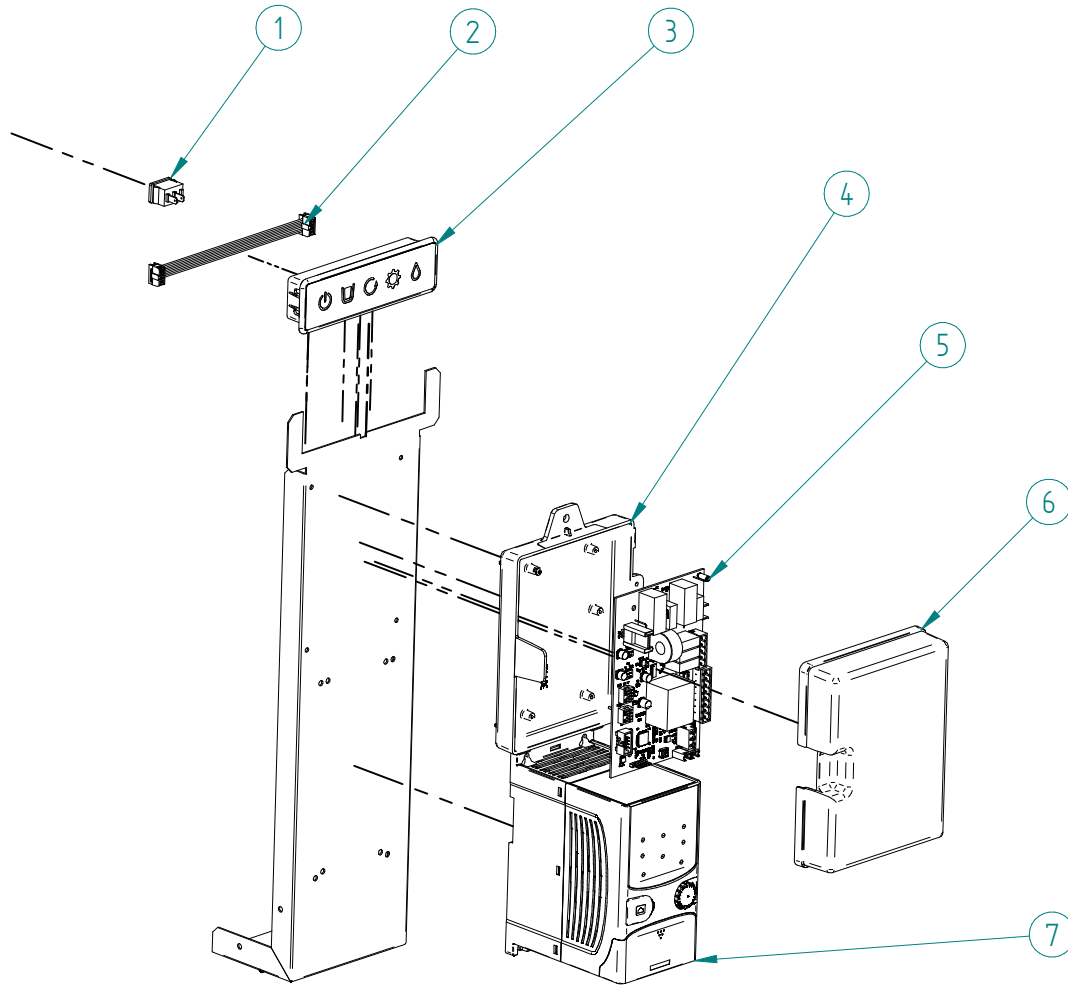
DESPIECE / REPUESTOS
EXPLODED VIEW / SPARE PARTS
EXPLOSIONSZEICHNUNG / ERSATZTEILE
VUE ÉCLATÉÉ / PIÈCES DÉTACHÉES
ESPLOSO / RICAMBI



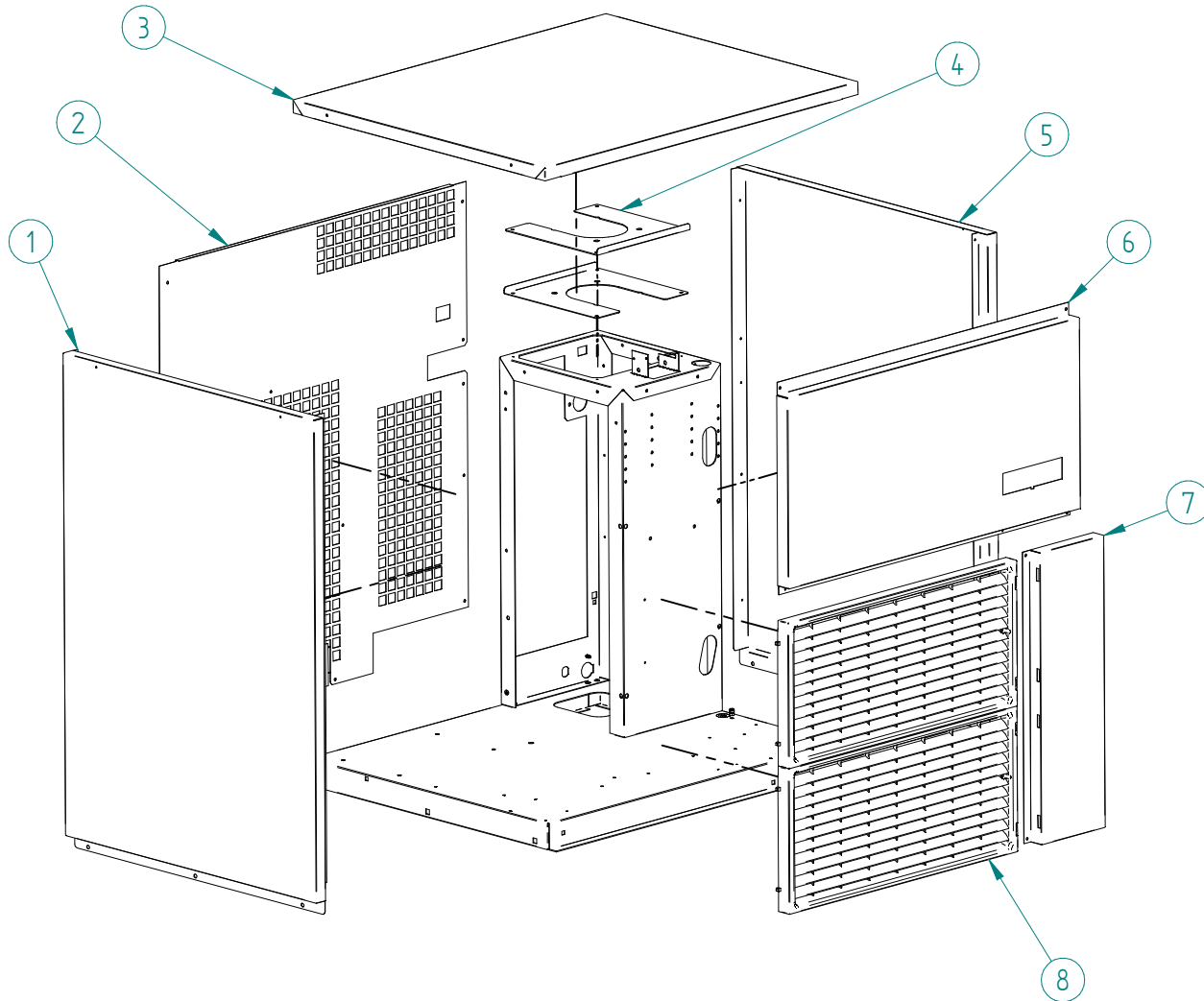
| ENGLISH | | | | | | |
|---------|-----------------------------|-----------|-------|-------|-------|-------|
| ITEM | DESCRIPTION | 140/150 | 220 | 400 | 610 | |
| 1 | AIR CONDENSER | 486A | 487A | 33597 | | |
| 2 | FAN BLADE | 4887 | | 6398 | | |
| 3 | FAN SUPPORT | N/A | | 32653 | | |
| 4 | FAN MOTOR | 220V/50HZ | 28 | 32654 | | |
| 5 | FAN MOTOR WIRE | 220V/50HZ | N/A | 32656 | | |
| 6 | FAN CONTROL PRESSURE SWITCH | 31160E | | | | |
| 7 | HIGH PRESSURE SWITCH | 31660E | | | | |
| 8 | PRESSURE SWITCH COLLECTOR | 31444 | | 32695 | | |
| 9 | COMPRESSOR | 220V/50HZ | 33303 | 33305 | 31310 | 33348 |
| | | 380V/50HZ | N/A | | 32817 | |
| 10 | FILTER DRIER | 7896 | | | | |
| 11 | PLASTIC CLIP 1/4" | 3533 | | | | |
| 12 | EXPANSION VALVE | N/A | | 31524 | 32346 | |



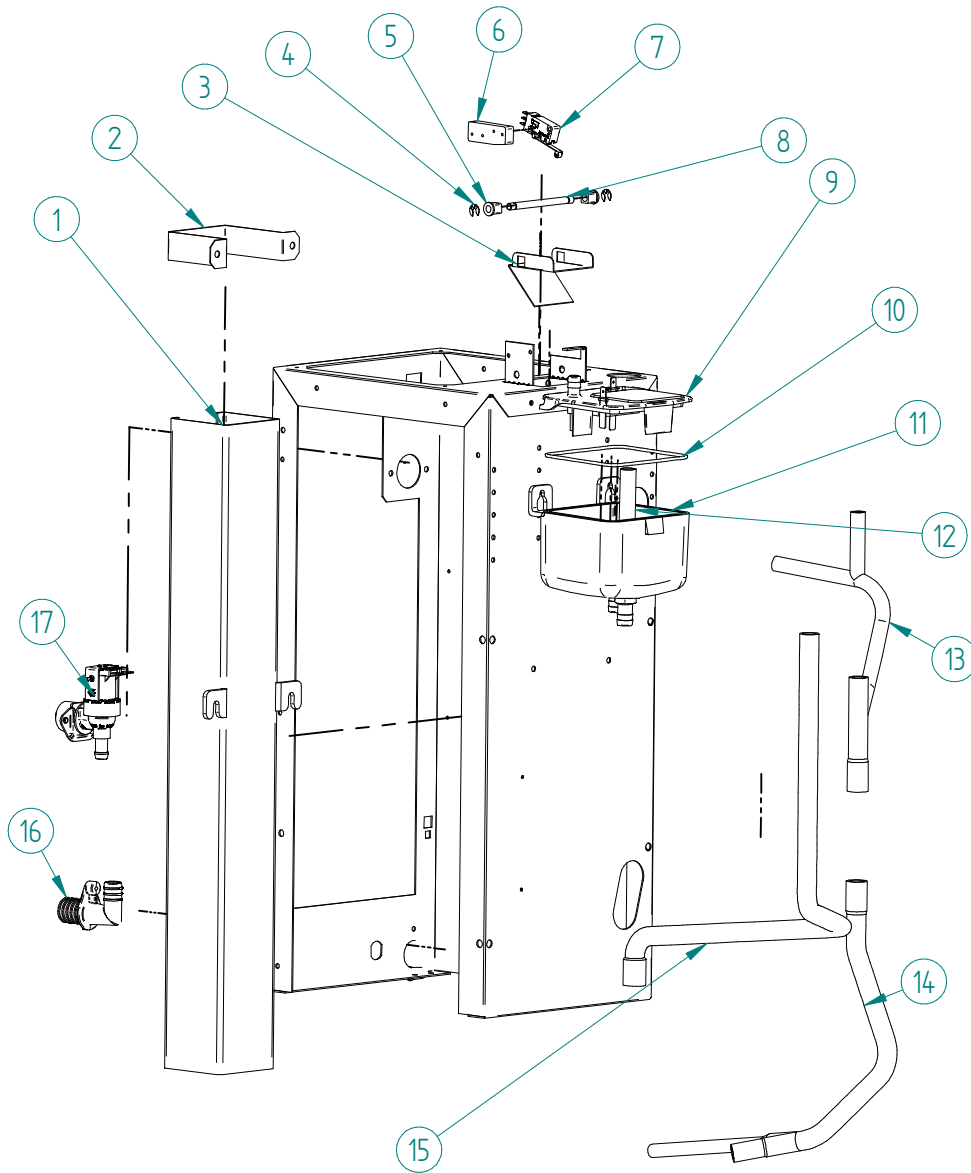
| ENGLISH | | | | | |
|---------|----------------------------------|---------|--------|-------|-------|
| ITEM | DESCRIPTION | 140/150 | 220 | 400 | 610 |
| 1 | PRESSURE SWITCH COLLECTOR | 31444 | | | 32695 |
| 2 | FAN CONTROL PRESSURE SWITCH | | 31160E | | |
| 3 | HIGH PRESSURE SWITCH | | 31660E | | |
| 4 | WATER CONDENSER | 5243 | 5244 | | 33671 |
| 5 | WATER CONDENSER EXTERNAL SUPPORT | 4038 | | | N/A |
| 6 | WATER CONDENSER LOWER SUPPORT | 4037 | | | N/A |
| 7 | WATER CONDENSER UPPER SUPPORT | 4036 | | | N/A |
| 8 | COMPRESSOR 220V/50HZ | 33303 | 33305 | 31310 | 33348 |
| 9 | PLASTIC CLIP 1/4" | | | 3533 | |
| 10 | FILTER DRIER | | | 7896 | |



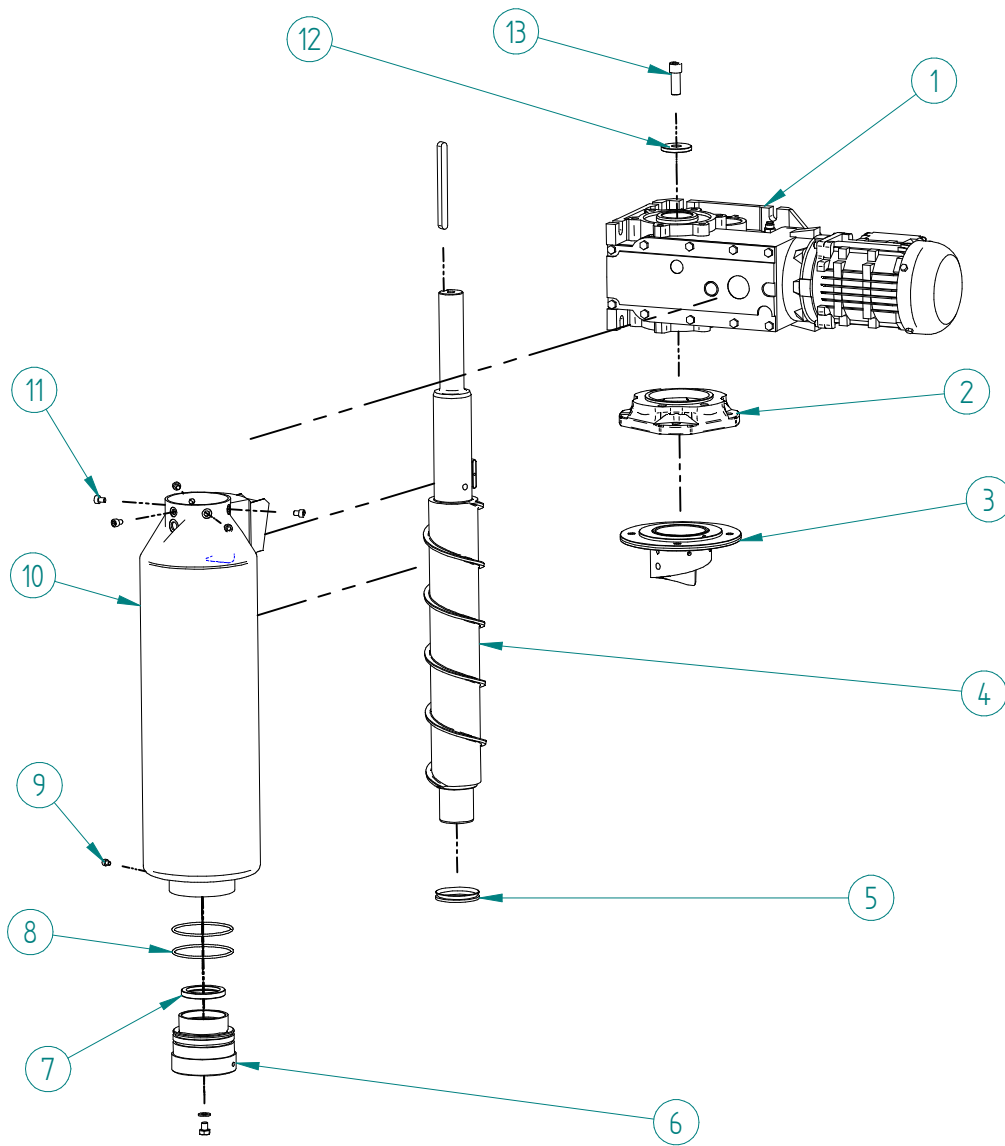
| ENGLISH | | | | | |
|---------|------------------------|---------|-------|---------|-----------|
| ITEM | DESCRIPTION | 150/200 | 400 | 600 (I) | 600 (III) |
| 1 | ATEX ON/OFF SWICH | | 32416 | | |
| 2 | DISPLAY CABLE | 34457 | 34162 | 34457 | |
| 3 | PILOT PANEL | 30566B | | | |
| 4 | ELECTRIC BOX BASE | 30792 | | | N/A |
| 5 | ELECTRONIC BOARD | 33799 | | | 33800 |
| 6 | LID ELECTRICAL BOX | 31274 | | | N/A |
| 7 | FREQUENCY INVERTER (I) | N/A | 34286 | 34286 | N/A |



| ENGLISH | | | | |
|---------|--------------------------|-----------------|-------|-------|
| ITEM | DESCRIPTION | 150/160/ 200 | 400 | 600 |
| 1 | LEFT SIDE PANEL | 34489 | 34535 | 34533 |
| 2 | REAR COVER | 34104 | 34107 | 34110 |
| 3 | TOP PANEL | 2465U | 8784 | |
| 4 | FLANGE SUPPORT | 2455 | 2477 | |
| 5 | RIGHT SIDE PANEL | 1927U | 34534 | 34532 |
| 6 | FRONT PANEL (I) (III) | 34543 | 34069 | 34070 |
| | | N/A | 34069 | 34070 |
| 7 | FRONT VERTICAL PANEL | N/A | 6657 | |
| 8 | FRONT LOUVER | N/A | 8705U | |



| ENGLISH | | | | |
|---------|------------------------------|-----------------|-------|-------|
| ITEM | DESCRIPTION | 150/160/ 200 | 400 | 600 |
| 1 | OUTLET ICE TUBE | 2441 | 2443 | 2444 |
| 2 | OUTLET ICE TUBE SUPPORT | | 2447 | |
| 3 | STOP BASCULE FLAP | | 33831 | |
| 4 | SAFETY RING | | 6004 | |
| 5 | BUSHING | | 171 | |
| 6 | SUPPLEMENT STOP BASCULE FLAP | | 2514 | |
| 7 | MICRO SWITCH (ATEX) | | 32998 | |
| 8 | BASCULE AXIS | | 33775 | |
| 9 | WATER BIN COVER | | 34123 | |
| 10 | O-RING | | 34150 | |
| 11 | WATER BIN | | 34122 | |
| 12 | OVERFLOW TUBE | | 2505 | |
| 13 | INTEL TUBE W | | | 34569 |
| 14 | EVAPORATOR WATER INLET TUBE | 34094 | 34097 | |
| 15 | DRAIN TUBE | 34093 | 34096 | |
| 16 | DRAIN CONNECTION | | 30850 | |
| 17 | WATER INLET VALVE | | 34126 | |



| ENGLISH | | | | |
|---------|---|-------------------------|--------|-------|
| ITEM | DESCRIPTION | 140/150/ 220 | 400 | 610 |
| 1 | GEAR MOTOR 220V/50HZ 380V/50-60HZ | 33707 | 30363A | |
| 2 | AUGER TOP SPACER | 2512 | 33930 | 1850 |
| 3 | AUGER TOP SCREW | 3297 | 719 | |
| 4 | AUGER | 2245 | 33931 | 894 |
| 5 | V-RING | 2334 | 2335 | |
| 6 | FLANGE SCREW | 2871 (M6) -- 3560 (M10) | | |
| 7 | EVAPORATOR | 7633A | 7635 | 7636A |
| 8 | O-RING BEARING | 2256 | 2484 | |
| 9 | SEAL | 725 | 726 | |
| 10 | LOWER BEARING | 125A | 162A | |
| 11 | BEARING SCREW | 2595 | | |
| 12 | FLANGE/PLATE | 5365 | 5366 | |
| 13 | FLANGE GEAR MOTOR* | N/A | 30874B | |
| 14 | EVAPORATOR ASSEMBLY (From 4 to 11) | 7194 | 7179 | 7177 |