



IQ MODULAR

ITV
ICE makers

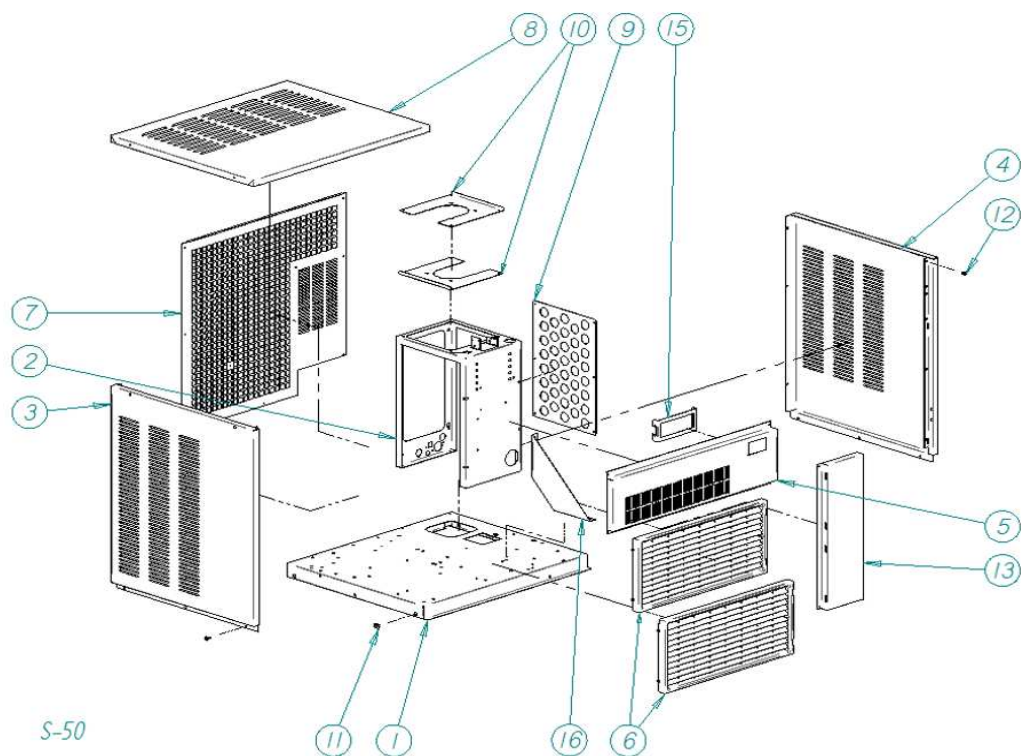


DESPIECE / REPUESTOS
EXPLODED VIEW / SPARE PARTS
EXPLOSIONSZEICHNUNG / ERSATZTEILE
VUE ÉCLATÉE / PIÈCES DÉTACHÉES
ESPLOSO / RICAMBI

ITV | ICE makers **SERVICE** 



FROM SERIAL NUMBER 1232138

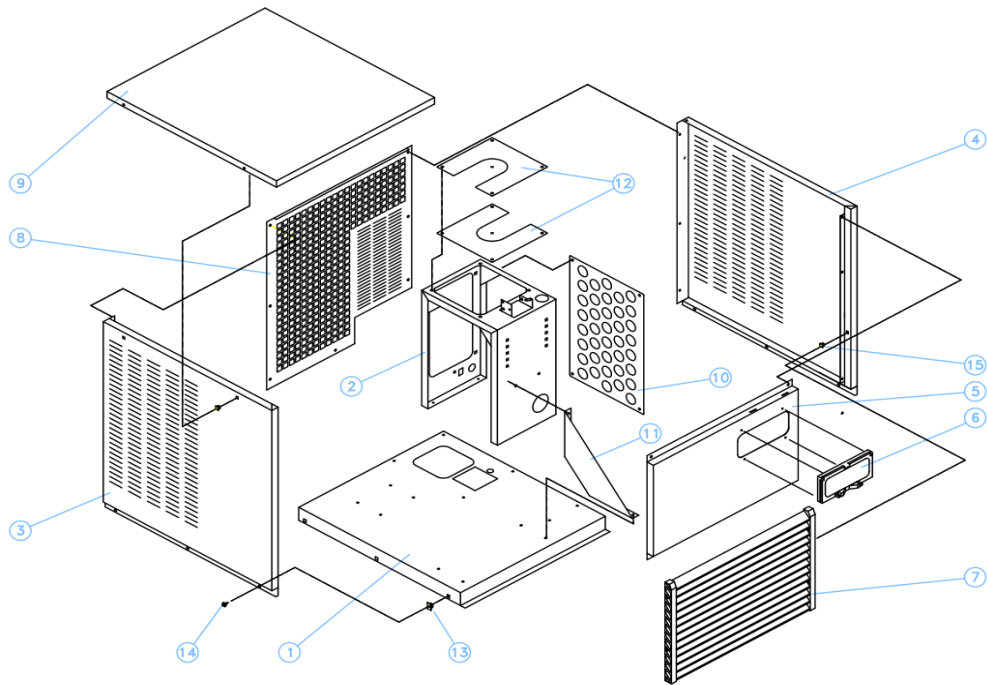


S-50

NAME	MODEL					
	IQ 135	IQ 150	IQ 200	IQ 400	IQ 550	IQ 1100
1 BASE	1915	2456	2475		2730	
2 BRIDGE	1916	2458	2476	2715	2720 X 2	
3 LEFT PANEL	1928	2464	2479	2711	2736	
4 RIGHT PANEL	1927	2463	2478	2710	2735	
5 FRONT PANEL	6646	---	6647	(I) 6648	(I) 6650	2738
	---	---	---	(III) 6653	(III) 6651	---
6 AIR GRILLE	6084	4185 X 2	4186 X 2	4186 X 3	7572 X 2	
7 BACK PANEL	1949	2466	2481	2712	2737	
8 TOP PANEL	2465		2480		2729	
9 LATERAL COVER	---	---	---	2717	---	
10 SUPPORT BRIDE	2455 X 2		2477 X 2		2477 X 4	
11 PLASTIC NUT	2440					
12 PLASTIC NUT	2347					
13 FRONT PANEL	---	---	6656	6657	6658	2724
15 LED SUPPORT	6659					
16 REAR STAY	---	---	1417		---	

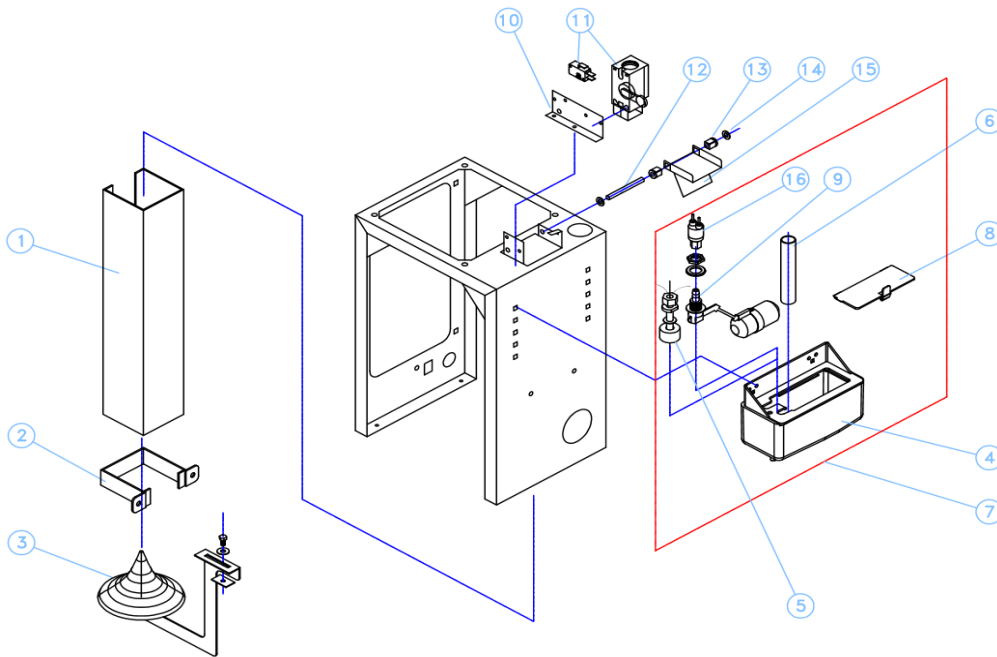


UNTIL SERIAL NUMBER 1232138



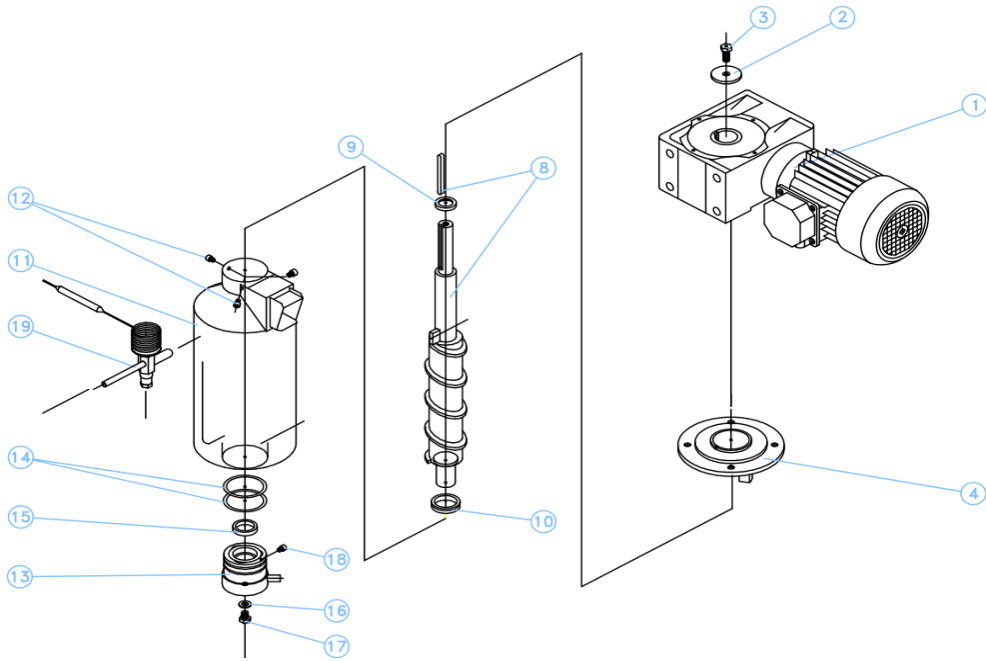
S-18

NAME	MODEL					
	IQ 135	IQ 150	IQ 200	IQ 400	IQ 550	IQ 1100
1 BASE	1915	2456		2475		2730
2 BRIDGE	1916	2458	2476	2715		2720 X 2
3 LEFT PANEL	1928	2464	2479	2711		2736
4 RIGHT PANEL	1927	2463	2478	2710		2735
5 FRONT PANEL	1948	2467	2482	2713		2738
6 PLASTIC COVER			1479			
7 REAR GRILLE		7571		7573		7572
8 REAR PANEL	1949	2466	2481	2712		2737
9 TOP COVER		2465		2480		2729
10 SIDE REINFORCEMENT	---	---	---	---	2717	---
11 CORNER REINFORCEMENT	---	---	---	1417		---
12 MOTO BRACKET		2455		2477		
13 SMALL NUT			2440			
14 SCREW			2491			
15 PLASTIC NUT			2347			



S-19

	NAME	MODEL					
		IQ 135	IQ 150	IQ 200	IQ 400	IQ 550	IQ 1100 (2 evaporators)
1	ICE DELIVERY CHUTE	2441		2442	2443	2444	2444
2	ICE DELIVERY CUBE FLANGE				2447		
3	DISPERSION CONE				7228		
4	WATER BIN				6036A		
5	WATER LEVEL PROBE				5423		
6	OVERFLOW TUBE				2505		
7	COMPLETE WATER BIN				5231A		
8	WATER BIN COVER				1968		
9	FLOAT				5340		
10	MICRO SUPPOTY		---				2863
11	STOP MICRO				2517		
	STOP MICRO (old IQ550)		---				2562
12	SHAFT				2514		
13	DOOR BUSHING				171		
	ARTICULATION JOINT(old units)				107		
14	ARTICULATION JOINT				6004		
15	STOP FLOATING				2434		
16	WATER PRESSURE SWITCH (old IQ550)		---				1120
15	STOP FLOATING SPRING				817		

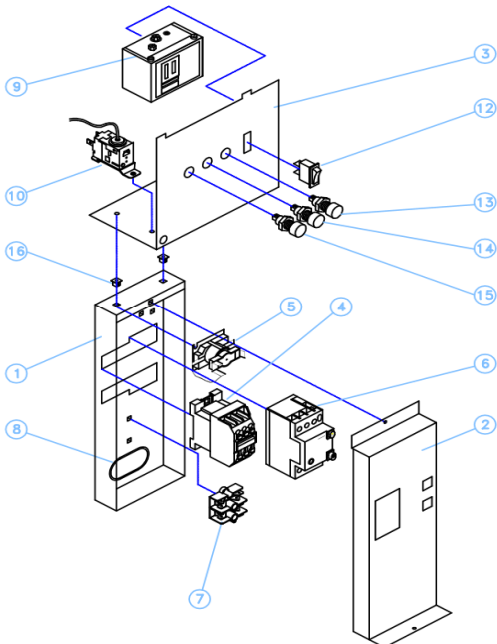


S-17

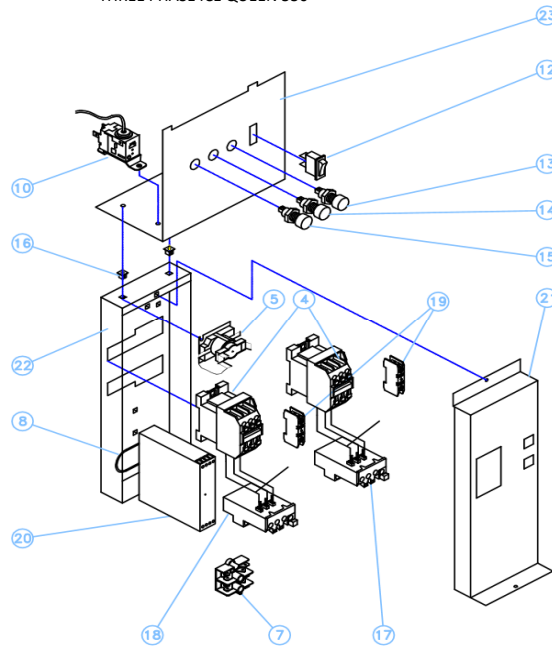
	NAME	MODEL						
		IQ 135	IQ 150	IQ 200	IQ 400	IQ 550	IQ 1100 (2 evaporadores)	
1	GEAR MOTOR							
	220V/50Hz		3201		3202	31083	31083	
	380V/50-60Hz		---		510	30363	30363	
	Old three phase (before 17971560) 380V/50-60Hz		---		510	31249	31249	
	230V/60Hz		1031		1253	1031	---	
2	WASHER		2512			1850	1850	
3	SCREW		3297			719	719	
4	MOTOR SUPPORT		5365			30874	30874	
	MOTOR SUPPORT (before 17971560)					5366	5366	
8	AUGER		2245		2246	50	894	894
9	WASHER (before 17971560)		---		---	---	1820	1820
10	V-RING SEAL		2334			2335	2335	
11	EVAPORATOR						7636	(right)+7639(left)
			7633		7634	7635	7636	
12	SCREW					2871 (M6)	-- 3560(M10)	
13	BOTTOM BEARING		125				162	162
14	O-RING		2256			2484		2484
15	SEAL		725			726		726
16	WASHER				2510			2510
17	SCREW				2449			2449
18	SCREW				2595			2595
*	COMPLETE EVAPORATOR KIT		7194		7194	7195	7179	7177



UNTIL SERIAL NUMBER 1232138



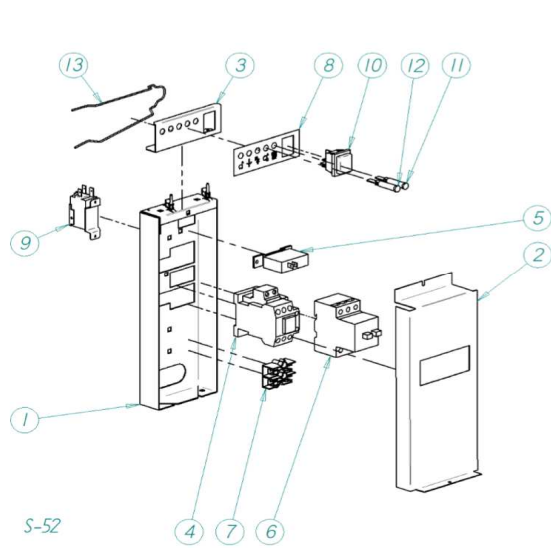
THREE PHASE ICE QUEEN 550



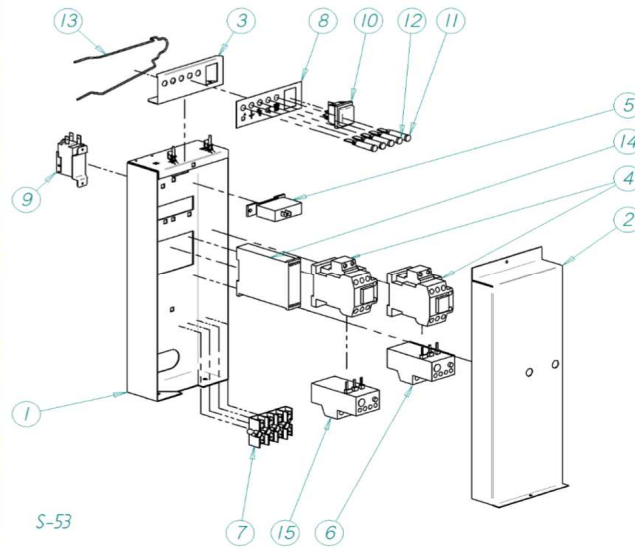
	NAME	MODEL					
		IQ 135	IQ 150	IQ 200	IQ 400	IQ 550	IQ 1100
1	BASE			2472			2734
2	COVER			2974			2724
3	PILOT SUPPORT	1950		2473	2483	2714	2723
4	CONTACTOR				536A		
5	TIMER				2471		
6	BREAKER			2470		1964	
7	CONNECTING POINT				5177		
8	BUSHING				731		
10	CONDENSATION PRESSURE SWITCH				2507		
12	SWITCH				2300		
13	GREEN PILOT				825		
14	ORANGE PILOT				2498		
15	RED PILOT				826		
17	OVERLOAD GEAR MOTOR		---			47135	
18	OVERLOAD COMPRESSOR		---			47509	
19	AUX. CONTACT					3219	
20	PHASE DETECTOR					3210	
21	BOX COVER					3221	---
22	BASE					3218	---
23	PILOT SUPPORT					3220	---



SINCE SERIAL NUMBER 1232138



THREE PHASE ICE QUEEN 550

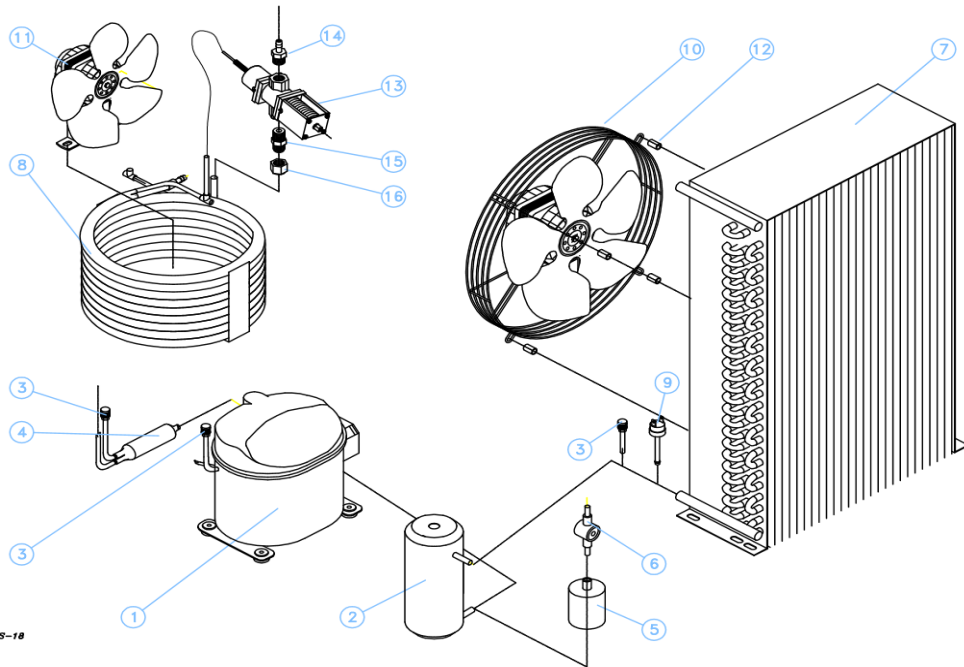


	NAME					
	IQ 135	IQ 150	IQ 200	IQ 400	IQ 550	IQ 1100
1	BASE					
2	COVER					
3	LED SUPPORT					
4	CONTACTOR					
5	TIMER					
6	GEAR MOTOR OVERLOAD					
7	CONNECTING POINT					
8	BUSHING					
9	CONDENSATION PRESSURE SWITCH					
10	SWITCH					
11	ORANGE LED					
12	RED LED					
13	LED MOORING					
14	PHASE SEQUENCE RELAY					
15	COMPRESOR OVERLOAD					

AIR-WATER CONDENSER



IQ MODULAR



S-18

	NAME	MODEL					
		IQ 135	IQ 150	IQ 200	IQ 400	IQ 550	IQ 1100
1	COMPRESSOR	230V - 50HZ	8437	8438	30441	30442	---
		230V - 60HZ	81095	81098		32029	
		115V - 60HZ	---		2026		---
		TRIF. 380V - 50HZ	---		34364		30525
2	LIQUID ACCUMULATOR (old units)				432	---	6241
3	VALVE			335			
4	DRIER		1717		1096		---
5	DRIER						2560
6	SIGHT GLASS (old units)						336
7	AIR CONDENSER		488	499	8181	8181	2732
	old units		---		1032	2474	---
8	WATER CONDENSER		5243	5244	5246		5879
9	HIGH PRESSURE SWITCH				334		
10	AIR CONDENSER FAN	230V - 50HZ	445+4495	410+4994	2446	7523	---
		230V - 60HZ	445+4495	445+4495	2446	7523	---
		115V - 60HZ	---		230	---	
		3 P.. 380V - 50HZ	---		2446		7523
11	WATER CONDENSER FAN(old units)	230V - 50HZ		444			---
		230V - 60HZ			444		
		115V - 60HZ	2763	---	2763		---
		3 P.. 380V - 50HZ	---			444	
12	MOTOR SPACERS				1223	---	123
13	WATER PRESSURE SWITCH VALVE				425		
14	WATER PRESSURE SWITCH VALVE HOSE				1015		
15	3/8" SAE - 3/8" GAS CONNECTION				430		
16	SAE 3/8" NUT				426		