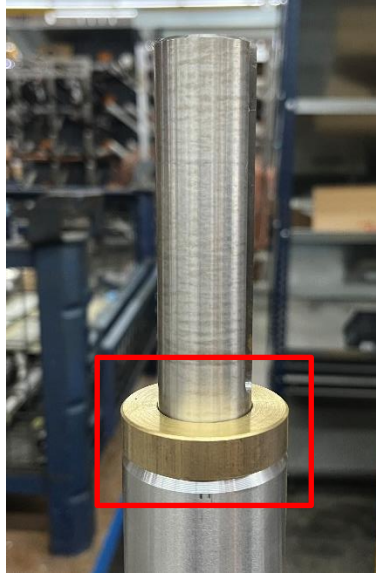


## INSTALLATION INSTRUCTIONS FOR THREE-PHASE GEARED MOTO ON SINGLE-PHASE MACHINE

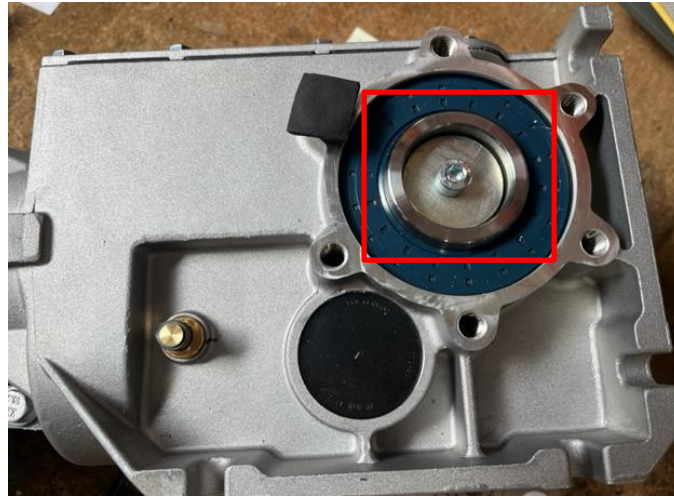
1. Remove the brass washer from the spindle.



2. Place the bush and key in the spindle.



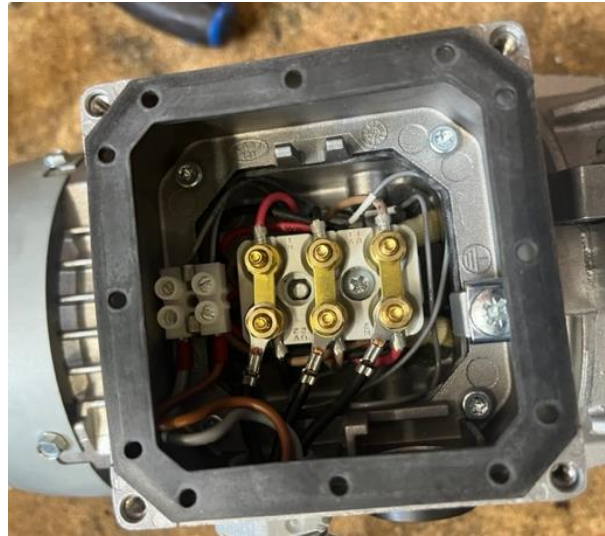
3. Mount the geared motor.
4. Once the motor is in place, insert the washer and the bolt with nuts. Tighten until it is in position.



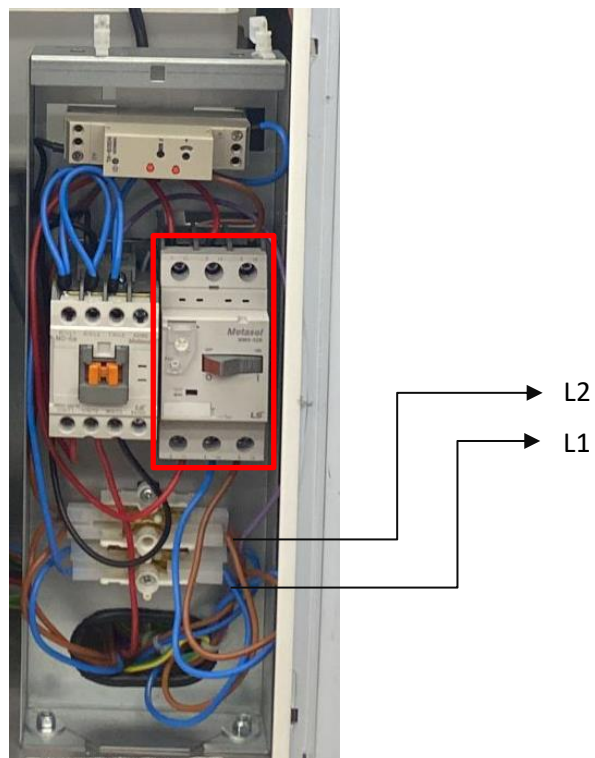
5. Screw the drive to the motor



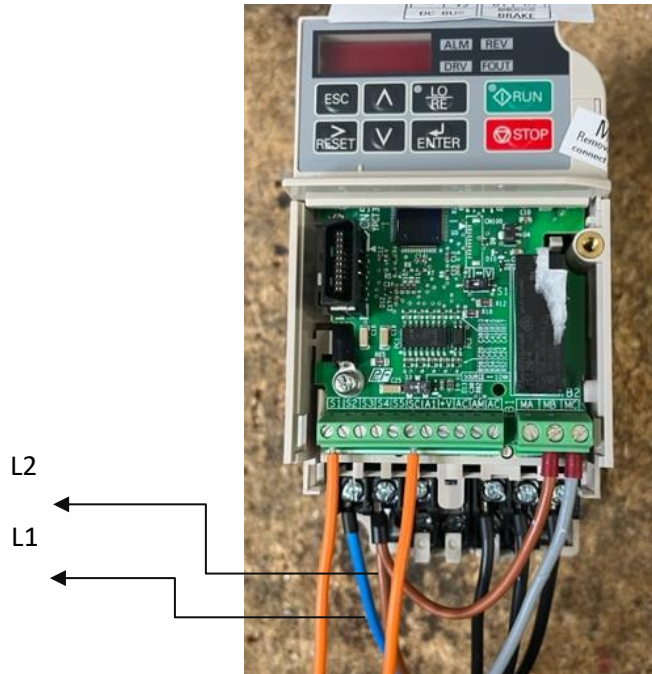
6. Check the connection of the motor terminal box.



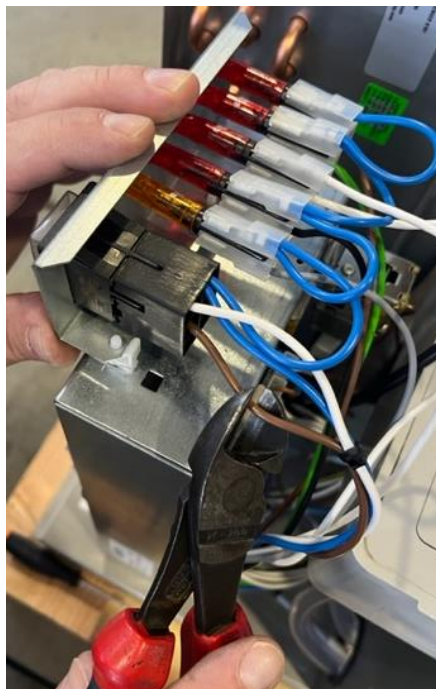
7. Remove the circuit breaker with all its wires.



8. Connect L1 and L2 of the drive to the blue and brown of the terminal strip on the control panel.



9. Connect the orange wires to the normally open contact of the contactor.
10. Cut the brown wire going to the switch.



11. Connect the brown wire terminal strip to the brown wire cut from the switch.

