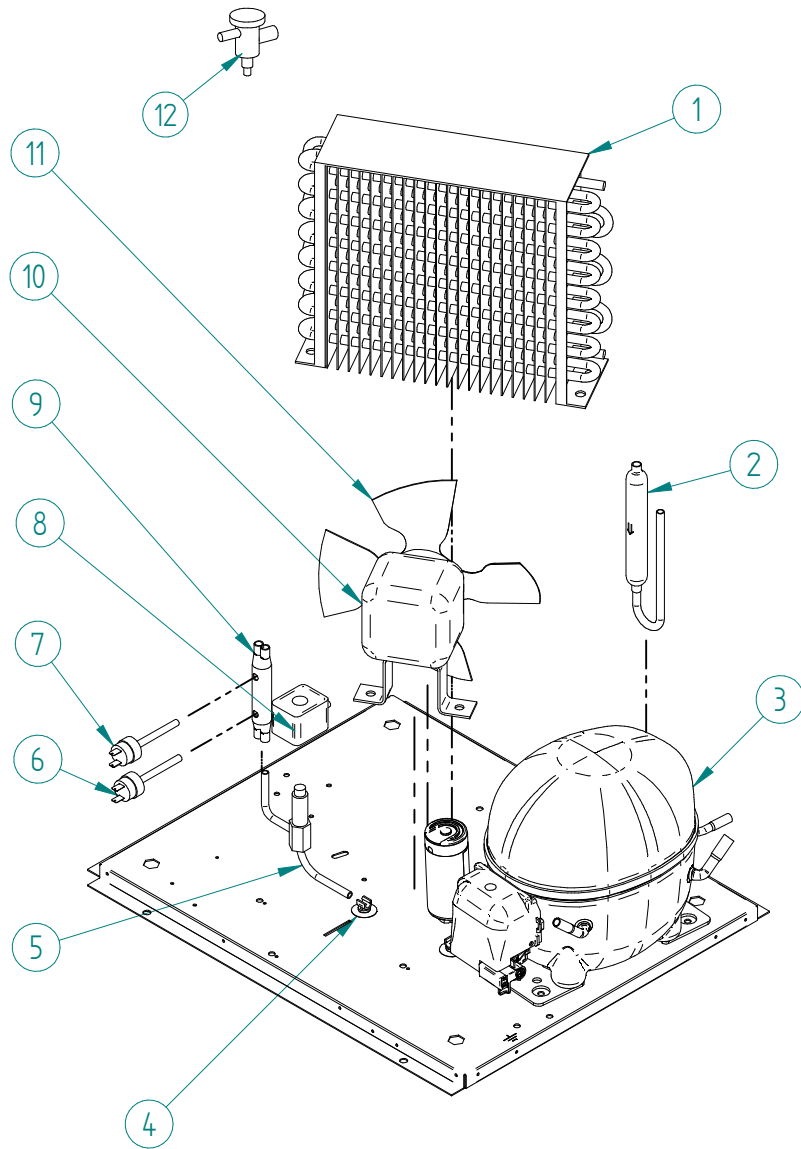




**ITV**  
ICE makers

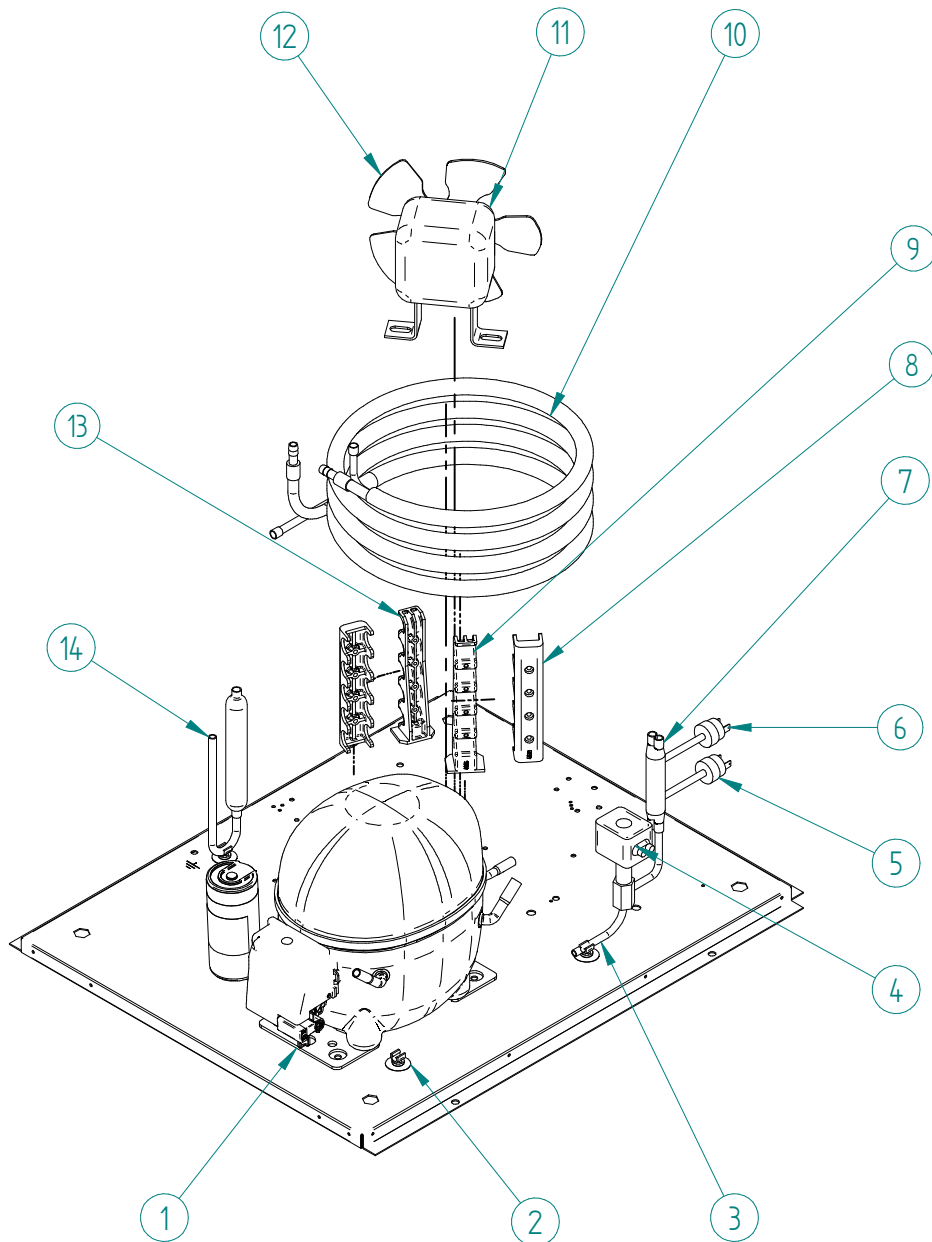


DESPIECE / REPUESTOS  
EXPLODED VIEW / SPARE PARTS  
EXPLOSIONSZEICHNUNG / ERSATZTEILE  
VUE ÉCLATÉE / PIÈCES DÉTACHÉES  
ESPLOSO / RICAMBI



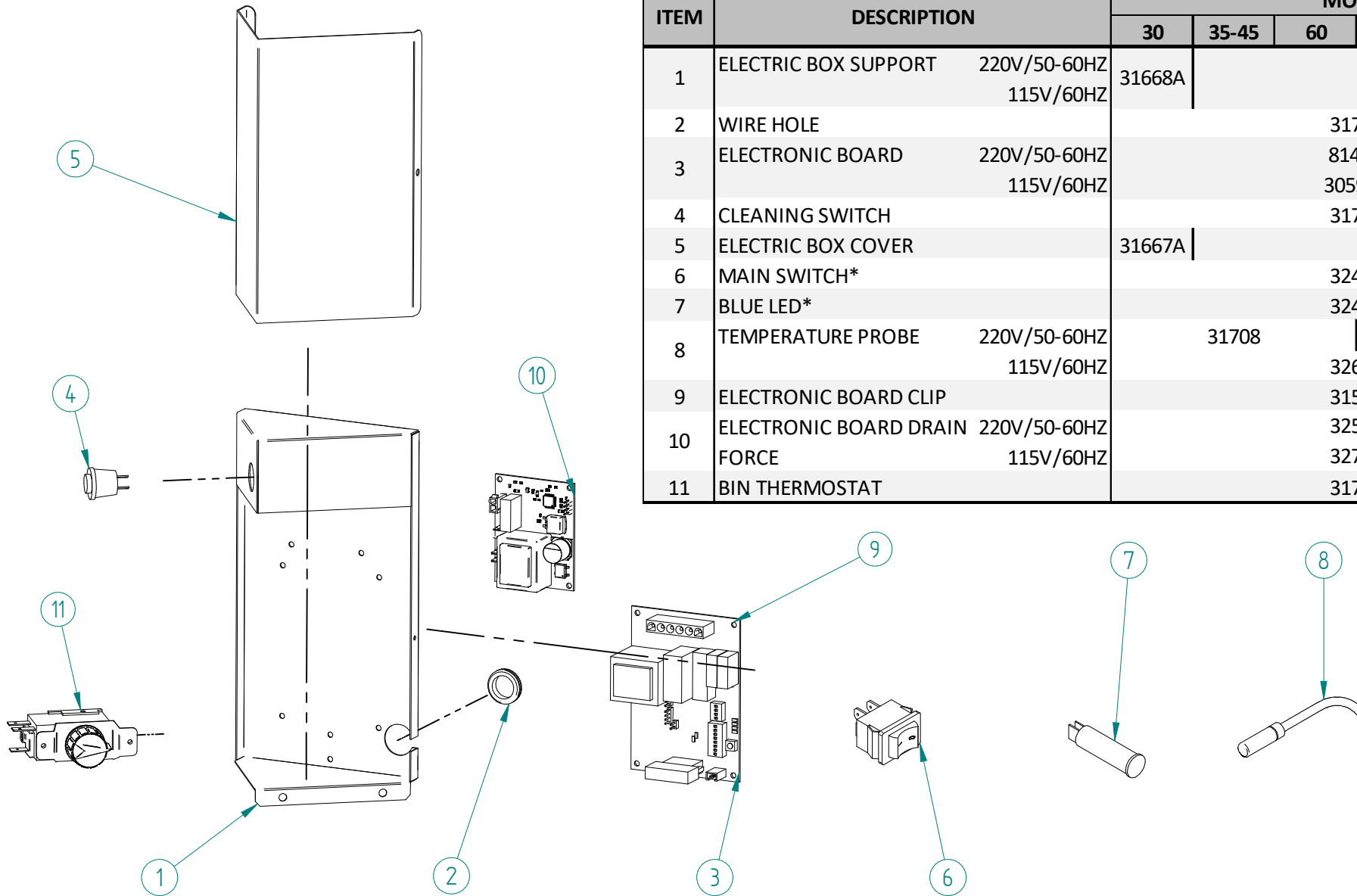
ITEM	DESCRIPTION	MODEL						
		30	35	45	60	80	110	150
1	AIR CONDENSER	31531		486	487	32251	32730	32731
2	FILTER DRIER				7896			
3	COMPRESSOR	220V/50HZ	31302		31304	31306	31308	31310
		220V/50HZ		N/A		32761	N/A	31458
		115V/60HZ	32584	N/A	32727		N/A	
4	CLIP TUBE				3533			
5	HOT GAS VALVE - BODY			1473			6396	32163
6	HIGH PRESSURE SWITCH				31660E			
7	FAN CONTROL PRESSURE SWITCH				31160E			
8	HOT GAS VALVE - COIL	220V/50-60HZ			5173			8806
		115V/60HZ			5414			N/A
9	PRESSURE SWITCH COLLECTOR				31444			
10	FAN MOTOR	220V/50-60HZ	960		28		445	32654
		115V/60HZ	4889	N/A	4890		N/A	
11	FAN BLADE			4887			4231	4994
12	EXPANSION VALVE			N/A			31524	

\*TO PROVIDE SERIAL NUMBER



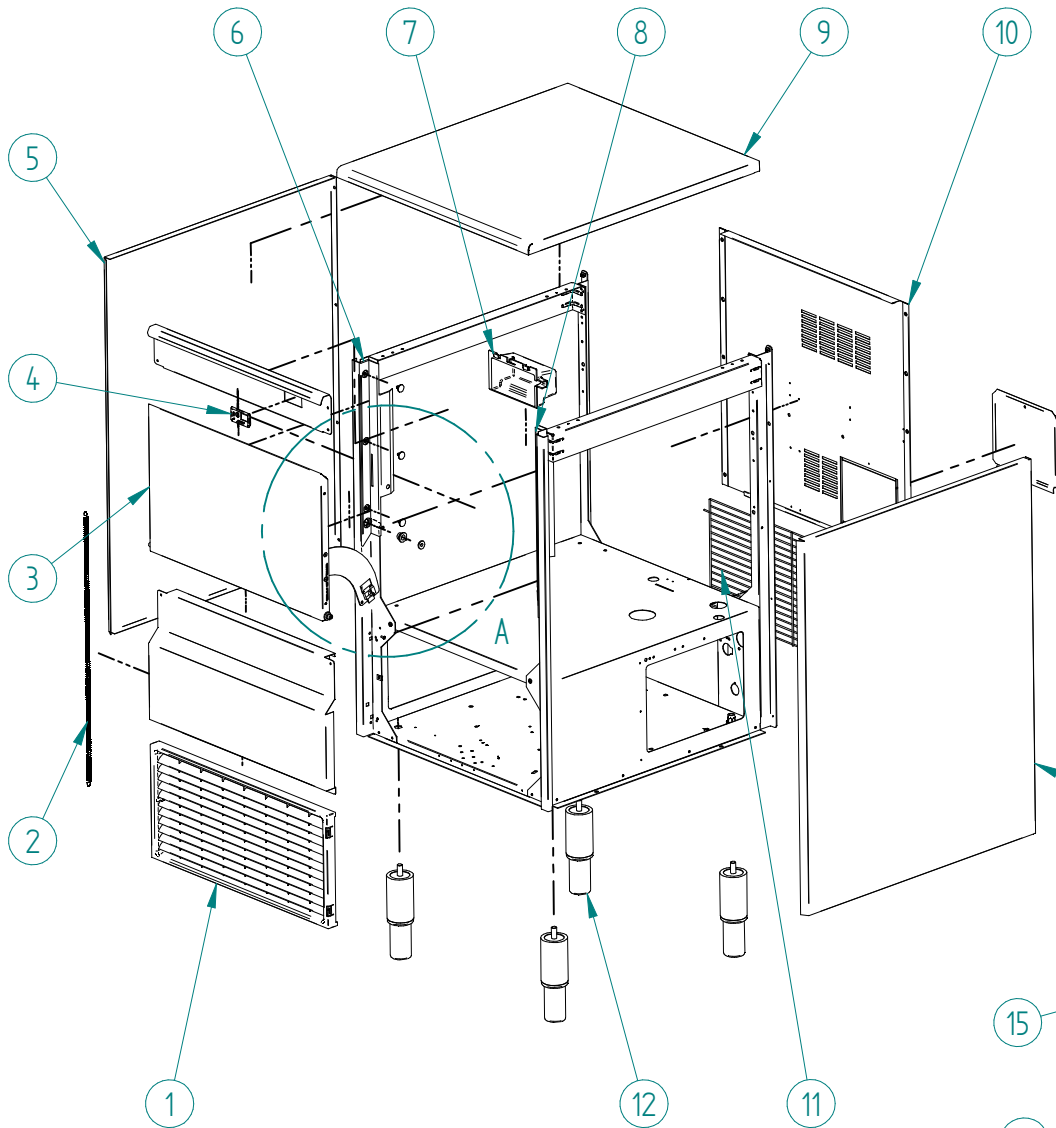
ITEM	DESCRIPTION	MODEL			
		30	35	45	60
1	COMPRESSOR 220V/50HZ	31302		31304	
2	CLIP TUBE	3533			
3	HOT GAS VALVE - BODY	1473			
4	HOT GAS VALVE - COIL 220V/50HZ	5173			
5	HIGH PRESSURE SWITCH	31660E			
6	FAN CONTROL PRESSURE SWITCH	31160E			
7	PRESSURE SWITCH COLLECTOR	31444			
8	WATER CONDENSER EXTERNAL SUPPORT	4038			
9	WATER CONDENSER UPPER SUPPORT	4036			
10	WATER CONDENSER	32170	5016	32187	
11	FAN MOTOR 220V/50HZ	N/A		2170	
12	FAN BLADE	N/A		587	
13	WATER CONDENSER LOWER SUPPORT	4037			
14	FILTER DRIER	7896			

\*TO PROVIDE SERIAL NUMBER

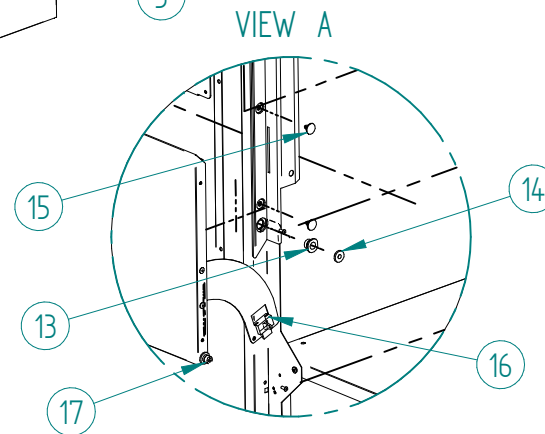


ITEM	DESCRIPTION	MODEL					
		30	35-45	60	80	110	150
1	ELECTRIC BOX SUPPORT 220V/50-60HZ 115V/60HZ	31668A			31570A 31823A		
2	WIRE HOLE				31746		
3	ELECTRONIC BOARD 220V/50-60HZ 115V/60HZ				8143D 30595D		
4	CLEANING SWITCH				31719		
5	ELECTRIC BOX COVER	31667A			31571A		
6	MAIN SWITCH*				32416		
7	BLUE LED*				32415		
8	TEMPERATURE PROBE 220V/50-60HZ 115V/60HZ		31708				32644
9	ELECTRONIC BOARD CLIP				31544		
10	ELECTRONIC BOARD DRAIN 220V/50-60HZ 115V/60HZ				32568 32725		
11	BIN THERMOSTAT				31758		

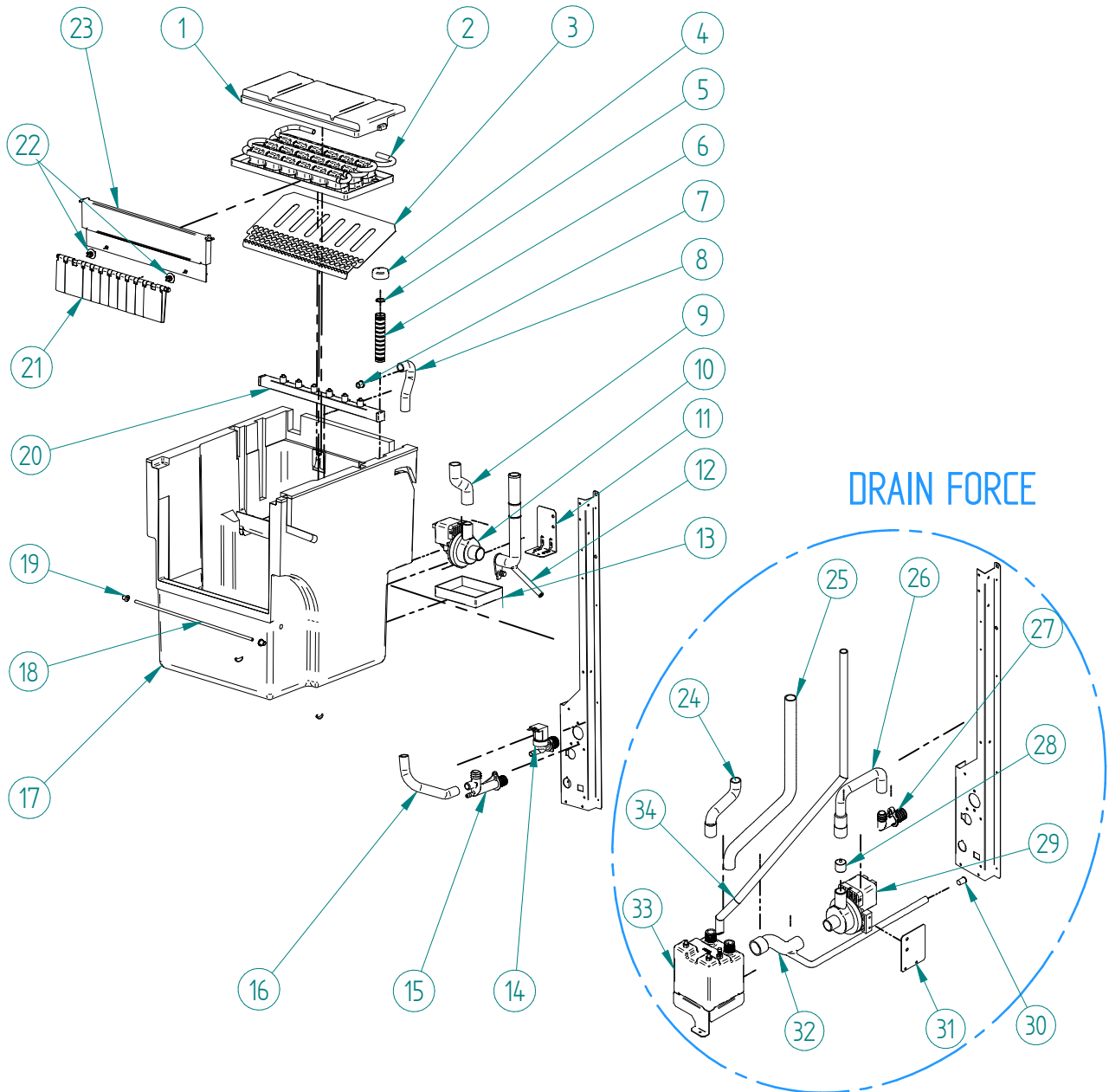
\*TO PROVIDE SERIAL NUMBER



ITEM	DESCRIPTION	MODEL					
		30	35-45	60	80	110	150
1	FRONT LOUVER	4185	4063	4186	4188		4187
2	DOOR SPRING	702					
3	DOOR ASSEMBLY	5072	5030	5791	5237		5857
4	MAIN SWITCH SUPPORT	32441					
5A	RIGHT PANEL*	4219U	489UA		1900U	3969U	
5B	LEFT PANEL*	4220U					
6	LEFT DOOR GUARD	83					
7	MAIN SWITCH BOX	31665					
8	RIGHT DOOR GUARD	82					
9	TOP PANEL	3387A	920A	4170A	1792A	3773A	4317A
10	REAR COVER*	4223	635A	4172A	1807A	3785U	4320U
11	REAR GRILL	6211	1728	4088	2192		4849
12	LEG	1478					
13	DOOR AXE BEARING	1001					
14	DOOR AXE BUSHING	155					
15	CLIP	113					
16	DOOR BUMPER	156					
17	DOOR SCREW	392					

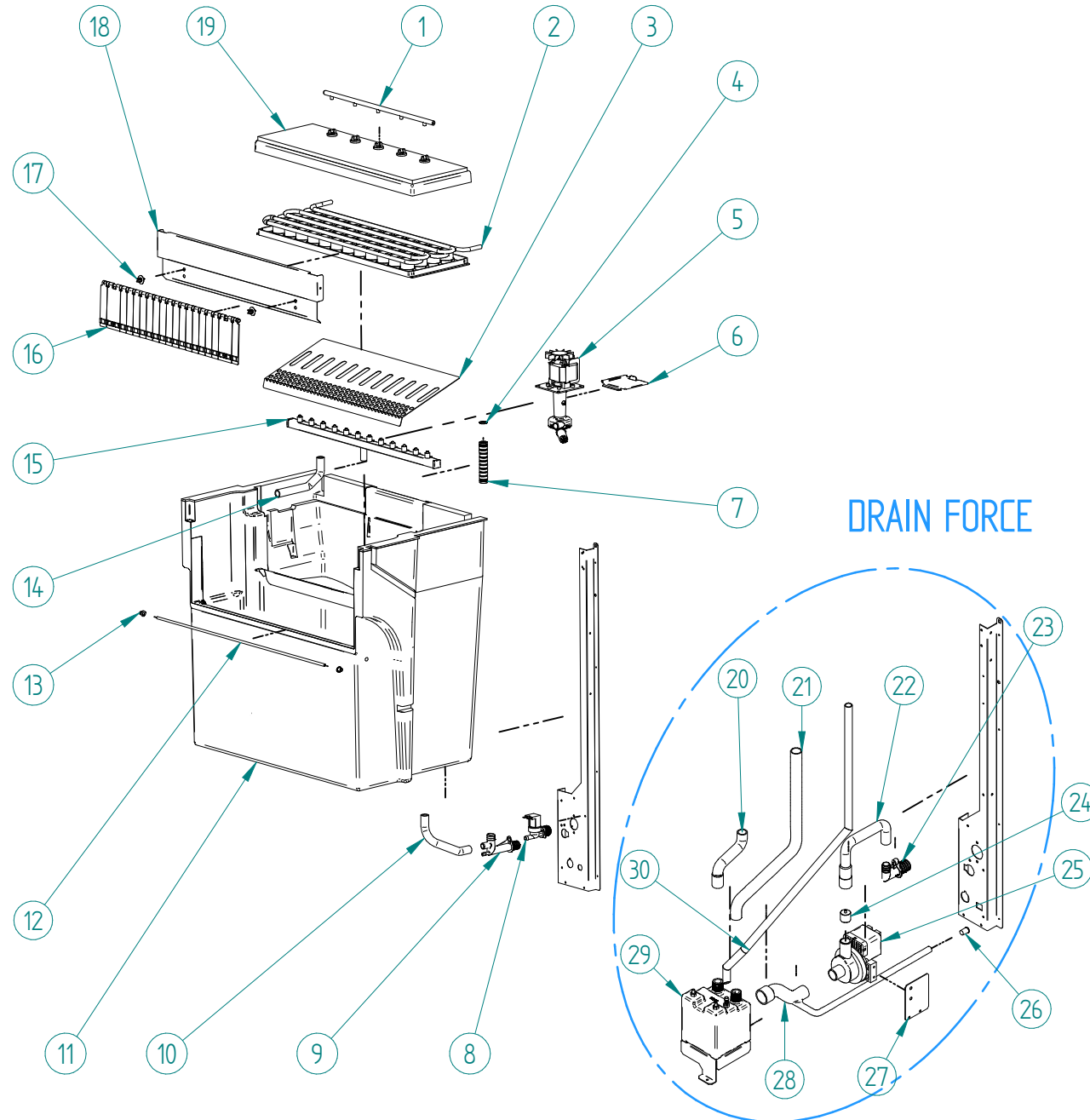


\*TO PROVIDE SERIAL NUMBER



ITEM	DESCRIPTION	MODEL	
		30	
1	EVAPORATOR COVER		4901
2	EVAPORATOR	ALFA 20GR	7492
		GALA 30GR	7491
		DELTA MAX 40GR	31384
3	ICE CUBES RAMP		4945
4	OVERFLOW PIPE CAP		4427
5	O-RING		4496
6	OVERFLOW PIPE		4426
7	WATER FLOW RESTRICTOR		805
8	UPPER WATER PUMP DISCHARGE TUBE		4960
9	LOWER WATER PUMP DISCHARGE TUBE		2223
10	WATER PUMP	220V/50HZ	4769
		115V/60HZ	31982
11	PUMP SUPPORT		4956
12	WATER PUMP SUCTION TUBE		4961
13	WATER PUMP TRAY		4521
14	INLET WATER VALVE 1B	220V/50HZ	1673
		115V/60HZ	4899
	INLET WATER VALVE 2B	220V/50HZ	6981+4526+6959
15	DRAIN FITTING		363
16	DRAIN TUBE		2222
17	BIN		7502
18	THERMOSTAT TUBE		5984
19	THERMOSTAT JOINT		666
20	SPRAY BAR		5969
21	CURTAIN ASSEMBLY		5968
22	CLIP TUBE		3533
23	CURTAIN HOLDER		4697
<b>DRAIN FORCE</b>			
24	DRAIN FORCE TUBE DISCHARGE BIN		32636
25	DRAIN FORCE TUBE DISCHARGE WATER BIN		32471
26	PUMP OUT DRAIN FORCE TUBE		32457
27	DRAIN FORCE FITTING		30850
28	CHECK VALVE RX3/4		32451
29	DRAIN FORCE PUMP	220V/50HZ	32624
		220V/60HZ	32622
		115V/60HZ	32623
30	PLUG		614
31	DRAIN FORCE PUMP SUPPORT		32722
32	DRAIN FORCE PUMP SUCTION TUBE		32470
33	DRAIN FORCE BUCKET SET		32625
34	VENT TUBE		1719

**\*TO PROVIDE SERIAL NUMBER**



ITEM	DESCRIPTION	MODEL					
		35-45	60	80	110	150	
1	WATER DISTRIBUTOR	N/A	N/A	911U			
2	EVAPORATOR	ALFA 20GR	7030	7395	7258	7263	7479
		GALA 30GR	7423A	7400	7156	7352	7480
		DELTA MAX 40GR	31359A	31387	31366	1	31372
		SUPER STAR 60GR	7032	7436	7323	7355	7806
3	ICE CUBES RAMP						
4	O-RING		4496		N/A		
5	WATER PUMP	220V/50HZ	5563		5405	5927	
		115V/60HZ	5850		N/A		
6	WATER BIN COVER			1938			
7	OVERFLOW PIPE		4426		1102	2709	
8	INLET WATER VALVE 1B*	220V/50HZ	6980 + 4527		6980+4476	329	
		115V/60HZ	6984+4527		N/A		
8	INLET WATER VALVE 2B*	220V/50HZ	6981+6959+4527		N/A		
9	DRAIN FITTING			363			
10	DRAIN TUBE			2222			
11	BIN	7452	7388	7128	7322	7487	
12	THERMOSTAT TUBE	5913	5437		5422	5933	
13	THERMOSTAT JOINT			666			
14	WATER PUMP DISCHARGE TUBE			2148		2191	
15	SPRAY BAR						
16	CURTAIN ASSEMBLY		7464	7406	7335	7350	7485
		SUPER STAR 60GR		7439	7432	7433	8675
17	CLIP TUBE	N/A	N/A		3533		
18	CURTAIN HOLDER	121A	4055A		31738		
19	EVAPORATOR COVER	4433	2297	5406	5491	5928A	
<b>DRAIN FORCE</b>							
20	DRAIN FORCE TUBE DISCHARGE BIN		32456				
21	DRAIN FORCE TUBE DISCHARGE WATER BIN		32453				
22	PUMP OUT DRAIN FORCE TUBE		32457				
23	DRAIN FORCE FITTING		30850				
24	CHECK VALVE RX3/4		32451				
25	DRAIN FORCE PUMP	220V/50HZ	32624				
		220V/60HZ	32622				
		115V/60HZ	32623				
26	PLUG		614				
27	DRAIN FORCE PUMP SUPPORT		32573				
28	DRAIN FORCE PUMP SUCTION TUBE		32455				
29	DRAIN FORCE BUCKET SET		32571				
30	VENT TUBE		1719				

**\*TO PROVIDE SERIAL NUMBER**