

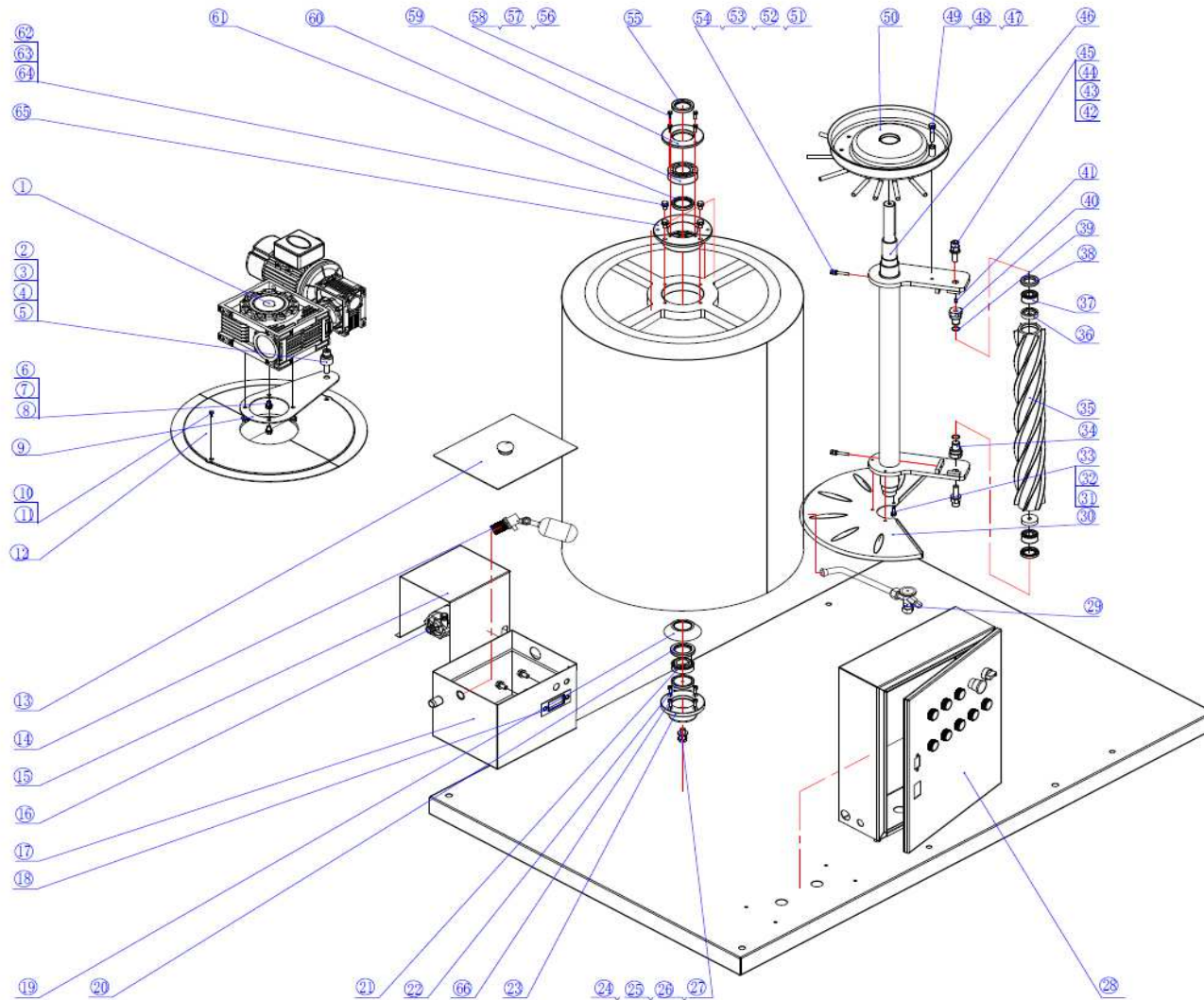


SCALA

ITV
ICE makers

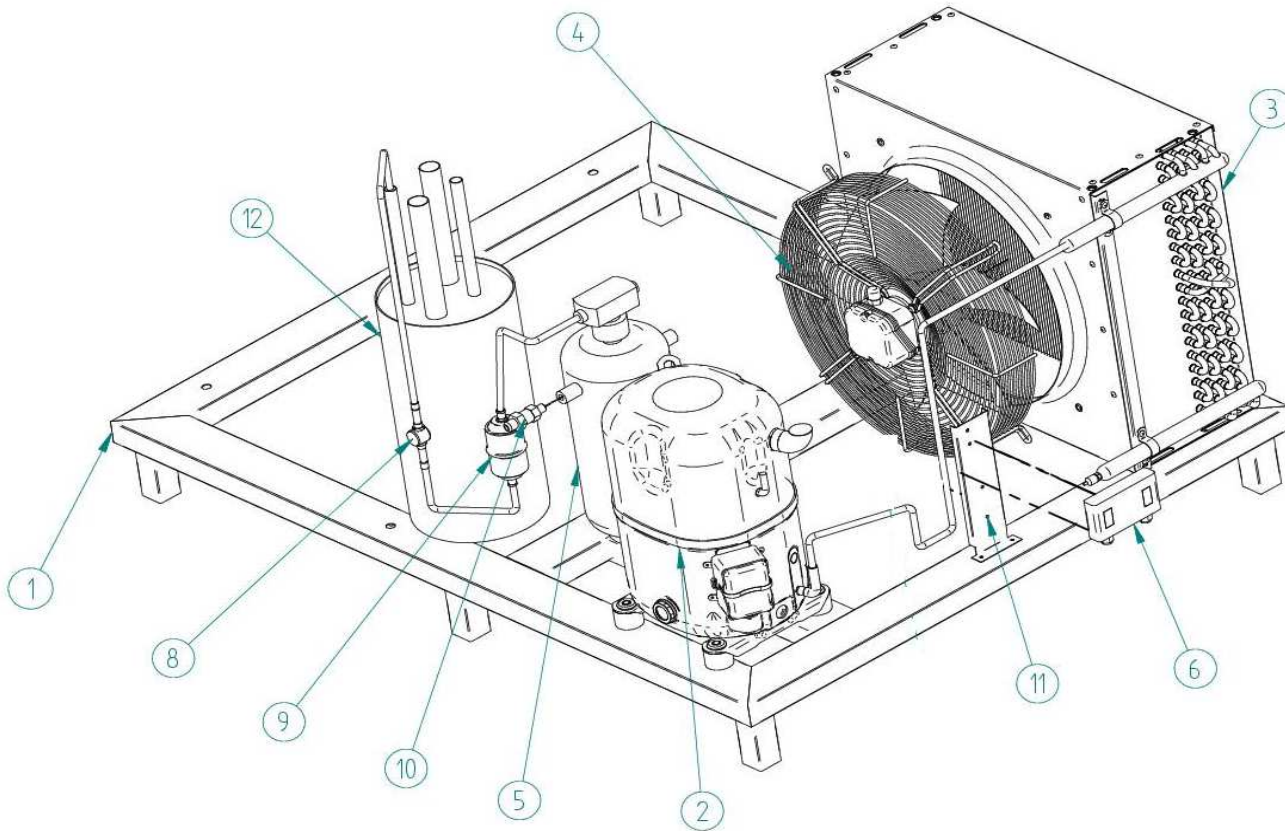


DESPIECE / REPUESTOS
EXPLODED VIEW / SPARE PARTS
EXPLOSIONSZEICHNUNG / ERSATZTEILE
VUE ÉCLATÉE / PIÈCES DÉTACHÉES
ESPLOSO / RICAMBI



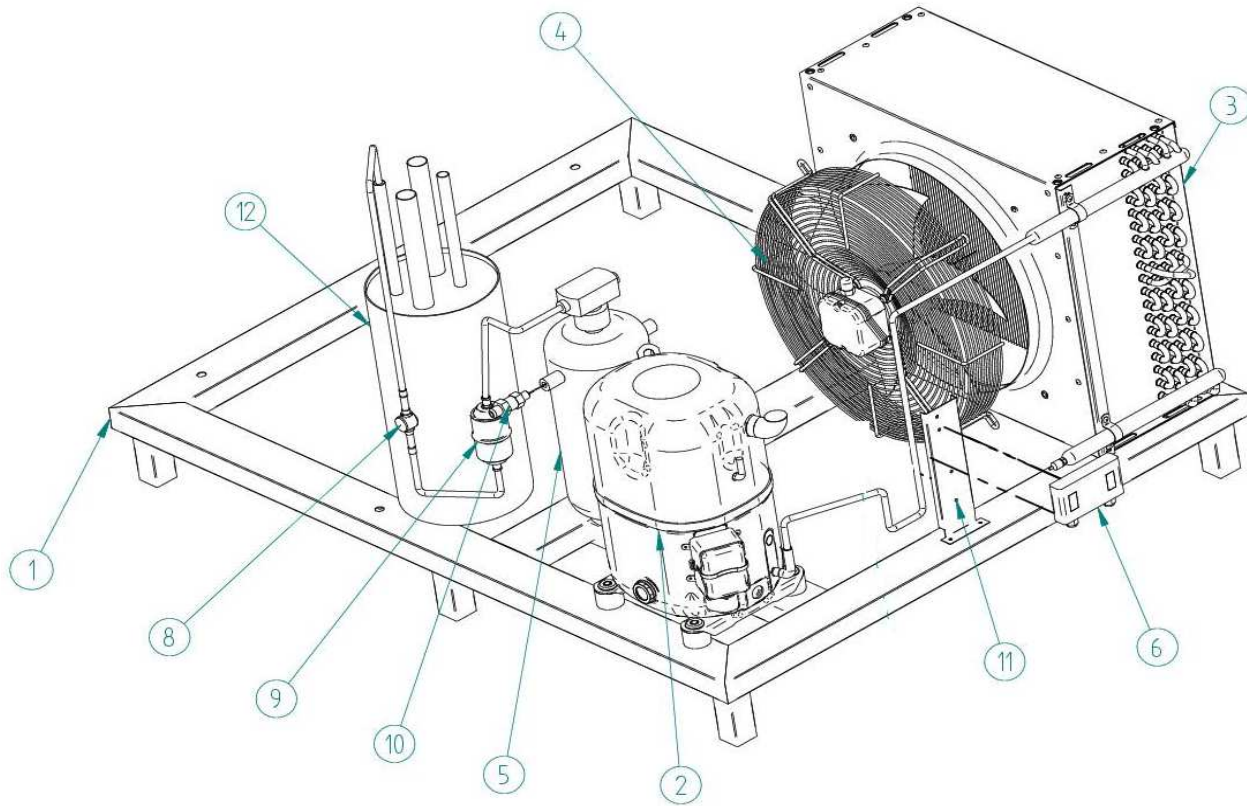
	DESCRIPTION	
1	GEAR MOTOR 0,12 kW	49120
2	MOTOR 0,12 kW	8408
3	WASHER GEAR MOTOR SUPPORT	31991
4	GROVER WASHER	31990
5	WASHER	31989
6	SCREW M10 X 20	31988
7	GROVER WASHER	
8	SCREW M8 X 16	
9	WASHER	
10	GEAR MOTOR SUPPORT	31615
11	WASHER	
12	SCREW M12 x 50	
13	EVAPORATOR COVER	31596
14	WATER TANK COVER	
15	FLOAT	82804
16	WATER PUMP COVER	
17	WATER PUMP	49106
18	WATER TANK	
19	WATER TANK GASKET	
20	WATER GASKET	31742
21	OIL SEAL BOTTOM BEARING	31605
22	BOTTOM BEARING 32005 (SFK)	49117
23	BOTTOM BEARING WASHER	31616
24	PULLING PAD BOTTOM BEARING	31618
25	GROVER WASHER	31619
26	WASHER	31620
27	NUT	31621
28	SCREW M12 X 45	31622
29	ELECTRIC BOX	8320
30	EXPANSION VALVE	
31	WATER CATCHING TRAY	49128
32	GROVER WASHER	
33	WASHER	
34	SCREW M6 X 25	
35	AUGER BOTTOM BEARING SUPPORT	31623
36	AUGER	49109
37	BEARING PAD	31624
38	AUGER BEARING 3201-2RS (SFX)	31625
39	OIL SEAL TC18*35*7	31627
40	CIRCLIP	31628
41	AUGER UPPER BEARING SUPPORT	31629
42	BEARING PAD	31630
43	GROVER WASHER	31631
44	NUT WASHER	31632
45	SCREW M12 X 45	31633
46	MAIN AUGER SUPPORT AXLE	31634
47	GROVER WASHER	
48	WASHER	
49	SCREW M8 X 45	
50	WATER TRAY	49129
51	GROVER WASHER	
52	WASHER	
53	NUT	
54	SCREW M6 X 40	
55	UPPER BEARING OIL SEAL TC30*50*7	31605
56	GROVER WASHER	31606
57	WASHER	31607
58	SCREW M5 X 20	31608
59	UPPER BEARING PAD	31609
60	UPPER BEARING 22206 (SFK)	49114
61	UPPER BEARING OIL RING TC38*55*8	31610
62	GROVER WASHER	31611
63	WASHER	31612
64	SCREW M6 X 30	31613
65	UPPER BEARING BOX	31614
66	SCREW M6 X 16	392

COMPACT SCALA 400 CONDENSER UNIT



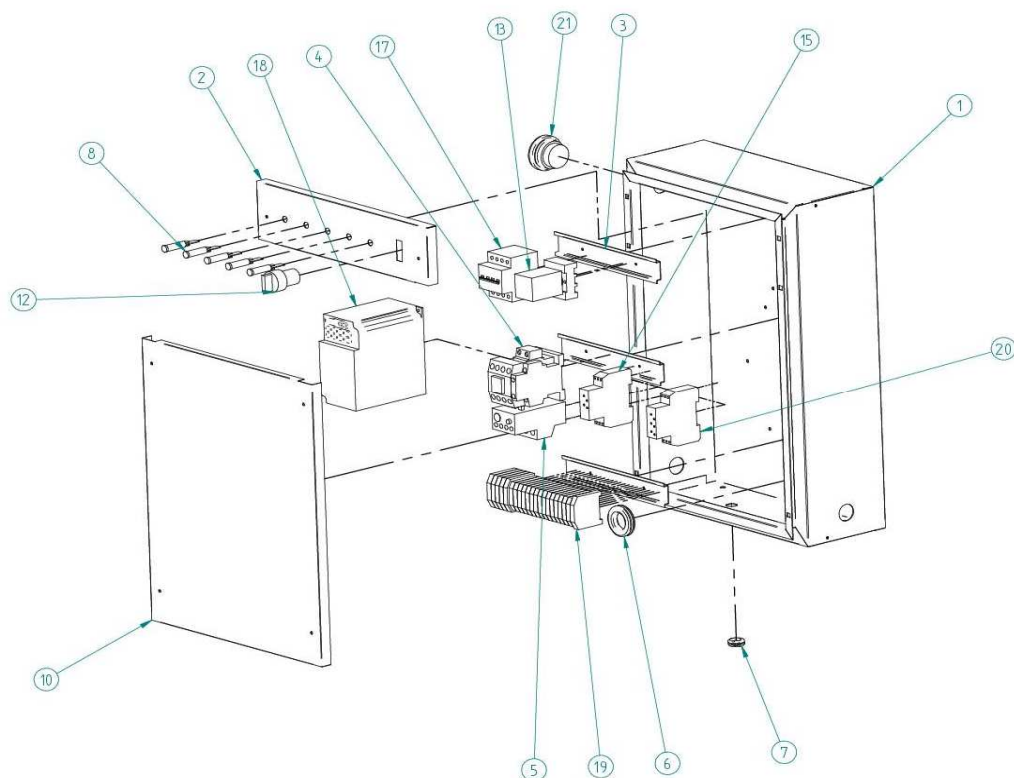
DESCRIPTION		
1	BENCH	6806
2	COMPRESSOR 380V/III/50-60HZ	8174
3	CONDENSER	8181
4	FAN MOTOR	2446
	FAN BLADE	6557
	FAN SUPPORT	6501
5	LIQUID RECEIVER	8040
6	HIGH/LOW PRESSURE SWITCH	2289
8	LIQUID SIGHT	942
9	DRIER	3064
10	SECURITY VALVE 1/4x3/8	3073
11	HIGH/LOW PRESSURE SWITCH SUPPORT	3242
12	LIQUID SEPARATOR	7820

COMPACT SCALA 600 CONDENSER UNIT



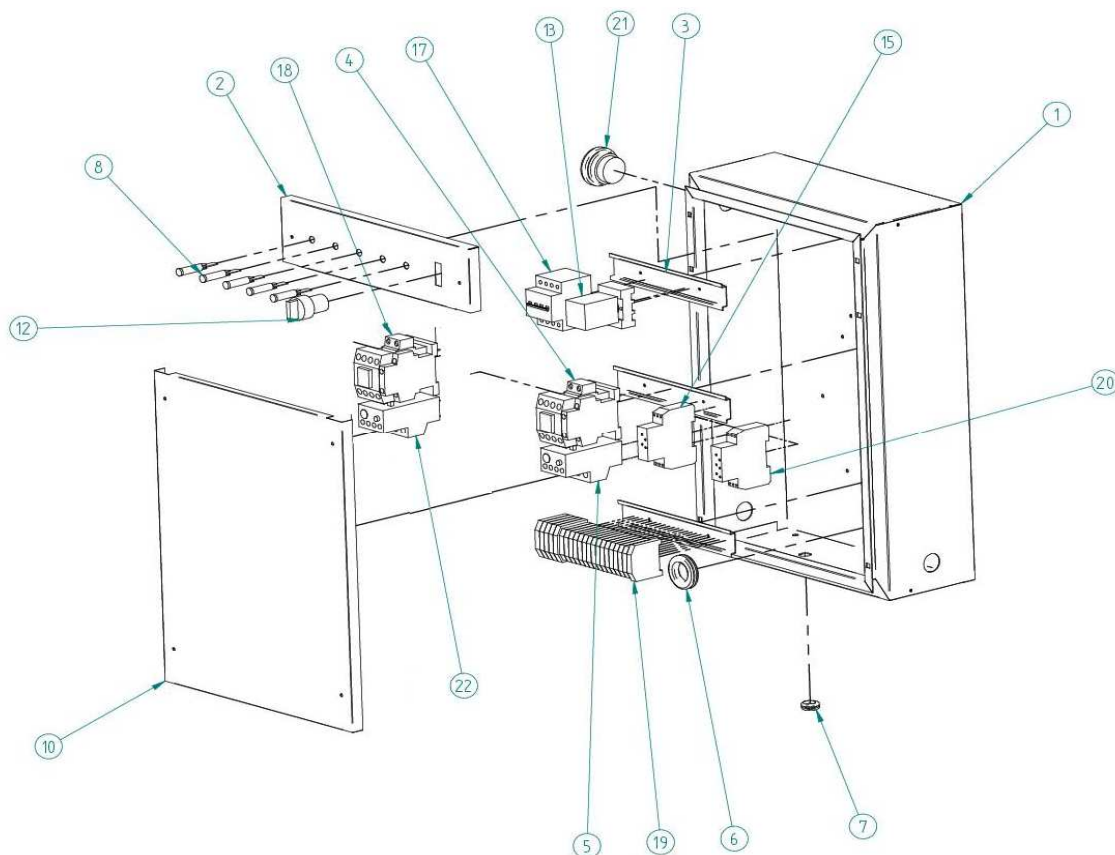
	DESCRIPTION	
1	BENCH	7832
2	COMPRESSOR 380V/III/50-60HZ	7840
3	CONDENSER	2732
4	FAN MOTOR	3332
5	LIQUID RECEIVER	8040
6	HIGH/LOW PRESSURE SWITCH	2289
8	LIQUID SIGHT	942
9	DRIER	3064
10	SECURITY VALVE 1/4x3/8	3073
11	HIGH/LOW PRESSURE SWITCH SUPPORT	3242
12	LIQUID SEPARATOR	7820

COMPACT SCALA 400-600-1T ELECTRIC BOX WITH FREQUENCY VARIATOR



DESCRIPTION		
1	ELECTRIC BOX	6174
2	ELECTRIC BOX UPPER COVER	6175
3	DIN RAIL	8356
4	CONTACTOR MC-9A 220V	536A
5	THERMAL RELAY MT-12 COMPRESSOR	47135
6	WIRE HOLE GASKET	2520
7	WIRE HOLE	373
8	RED LIGHT 220V	1457
9	ORANGE LIGHT 220V	1458
10	ELECTRIC BOX BOTTOM COVER	6176
12	TWO POSITIONS SWITCH	30078
13	RELAY MK 2P 220V	390
14	RELAY BASE	391
15	START TIMER	3424
16	GREEN LIGHT 220V	4280
17	BREAKER 4P C16	47397
18	FREQUENCY VARIATOR (GEAR MOTOR)	7918
19	CONNECTOR	8241+8244
20	STOP TIMER	6155
21	EMERGENCY SWITCH	47486
*	PHOTOCELL	30991

COMPACT SCALA 400-600-1T ELECTRIC BOX WITHOUT FREQUENCY VARIATOR



DESCRIPTION		
1	ELECTRIC BOX	6174
2	ELECTRIC BOX UPPER COVER	6175
3	DIN RAIL	8356
4	CONTACTOR MC-9A 220V	536A
	AUXILIAR CONTACT	6793
5	THERMAL RELAY MT-12 COMPRESSOR	47509
6	WIRE HOLE GASKET	2520
7	WIRE HOLE	373
8	RED LIGHT 220V	1457
9	ORANGE LIGHT 220V	1458
10	ELECTRIC BOX BOTTOM COVER	6176
12	TWO POSITIONS SWITCH	30078
13	RELAY MK 2P 220V	390
14	RELAY BASE	391
15	START TIMER	3424
16	GREEN LIGHT 220V	4280
17	BREAKER 4P C16	47397
18	THERMAL RELAY MT-12 GEAR MOTOR	47135
19	CONNECTOR	8241+8244
20	STOP TIMER	6155
21	EMERGENCY SWITCH	47486
22	CONTACTOR MC-9A 220V	536A
*	PHASE SEQUENCE RELAY	3210
*	PHOTOCELL	30991