

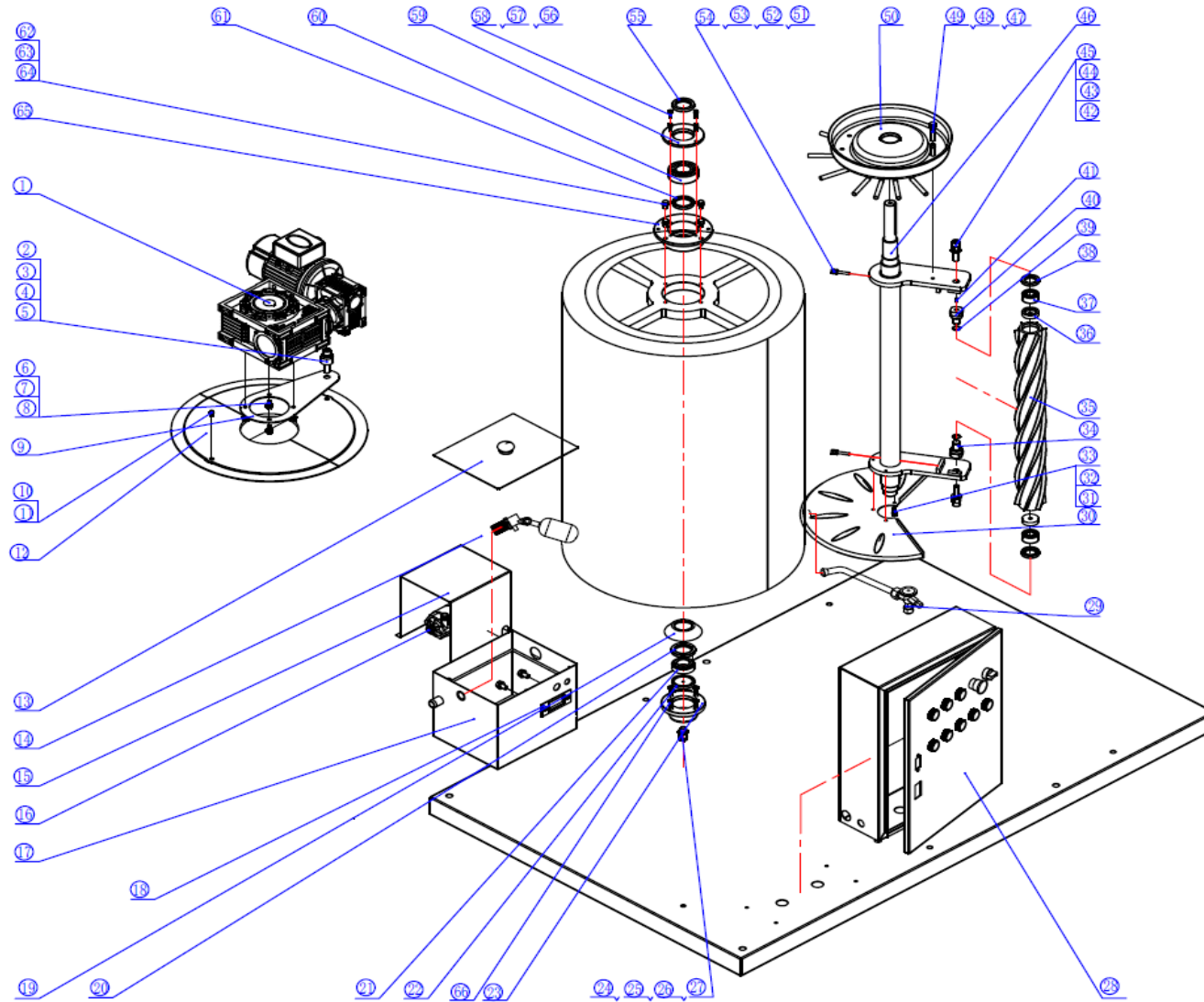


SCALA

ITV
ICE makers

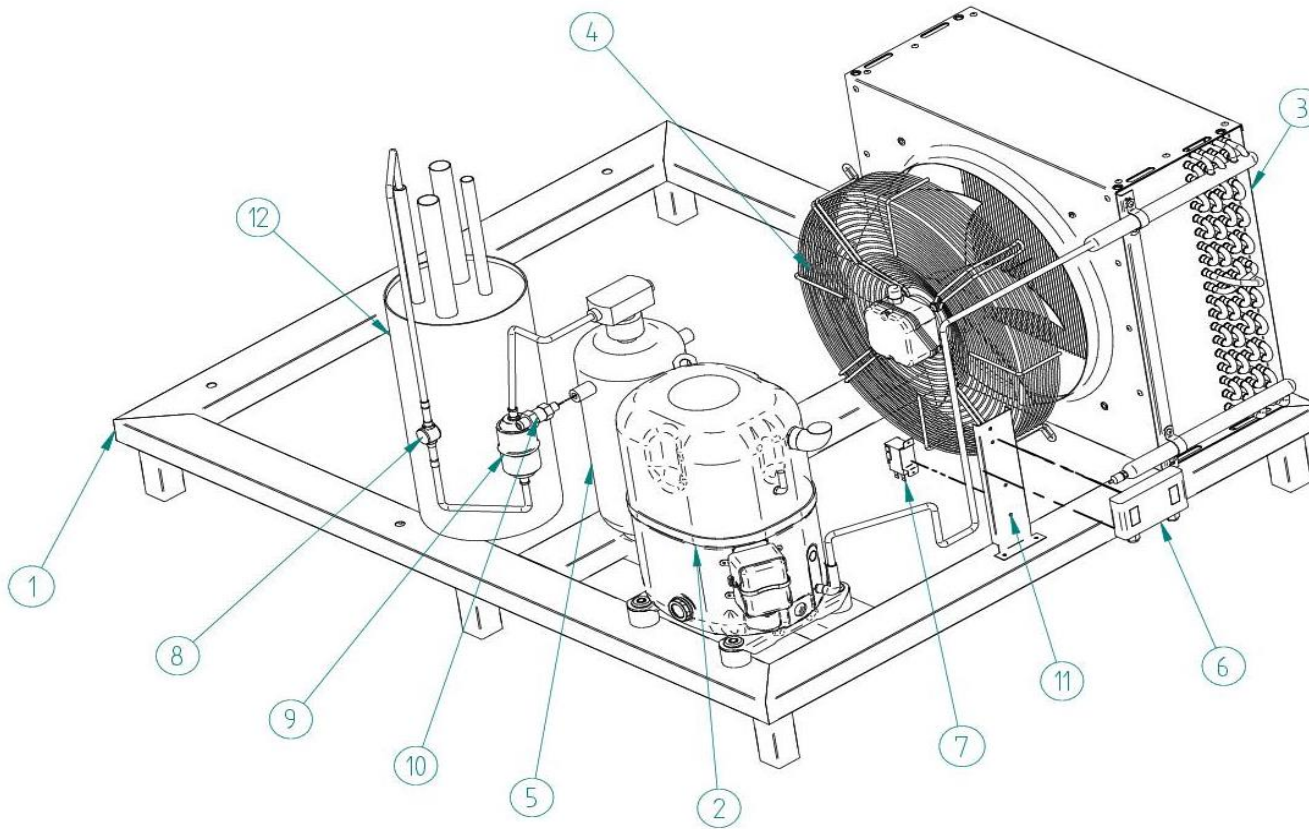


DESPIECE / REPUESTOS
EXPLODED VIEW / SPARE PARTS
EXPLOSIONSZEICHNUNG / ERSATZTEILE
VUE ÉCLATÉE / PIÈCES DÉTACHÉES
ESPLOSO / RICAMBI



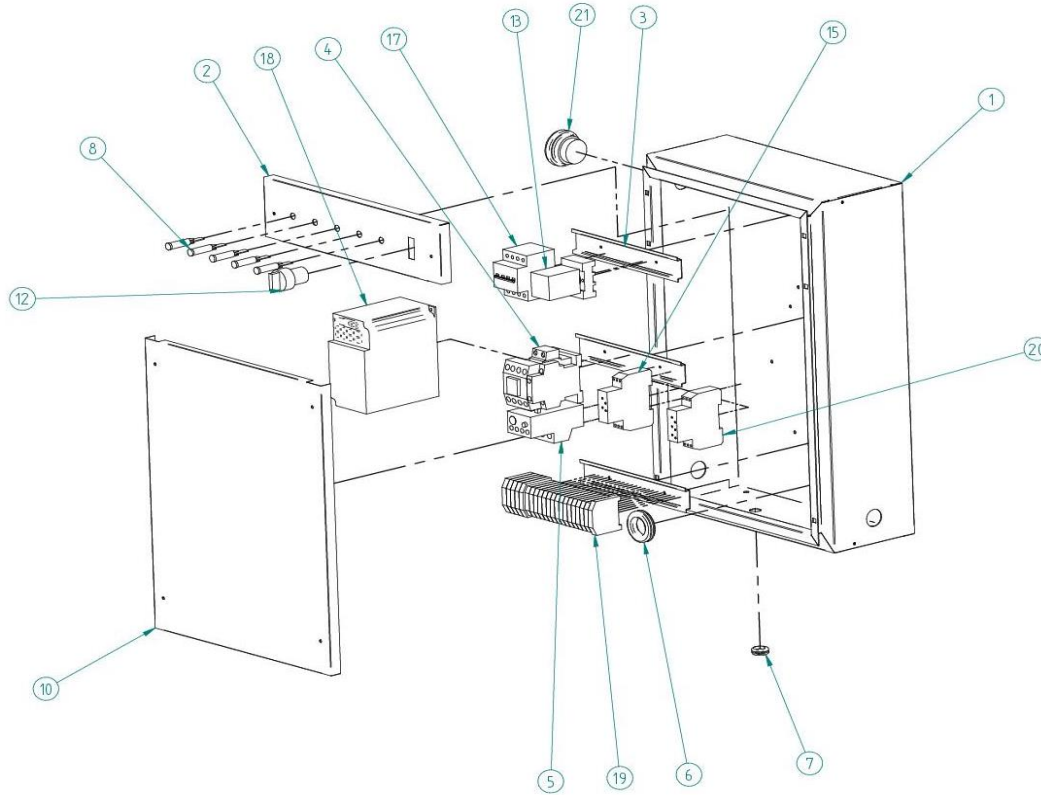
DESCRIPTION		
1	GEAR MOTOR 0,18 KW	49124
2	MOTOR 0,18 KW	49136
3	WASHER GEAR MOTOR SUPPORT	
4	GROVER WASHER	48687
5	WASHER	48686
6	SCREW M10 X 20	48685
7	GROVER WASHER	31414
8	SCREW M8 X 16	31415
9	WASHER	31416
10	GEAR MOTOR SUPPORT	31930
11	WASHER	
12	SCREW M12 X 50	
13	EVAPORATOR COVER	31595
14	WATER TANK COVER	35451
15	FLOAT	82804
16	WATER PUMP COVER	
17	WATER PUMP SCALA 1000-2000	49106
18	WATER PUMP SCALA 3000	499107
19	WATER TANK	35450
20	WATER TANK GASKET	31891
21	WATER GASKET	31892
22	OIL SEAL BOTTOM BEARING	31663
23	BOTTOM BEARING 32005 (SFK)	49118
24	BOTTOM BEARING WASHER	30967
25	PULLING PAD BOTTOM BEARING	30966
26	GROVER WASHER	
27	WASHER	
28	NUT	
29	SCREW M12 X 45	
30	ELECTRIC BOX	8320
31	EXPANSION VALVE	
32	WATER CATCHING TRAY	49126
33	GROVER WASHER	
34	WASHER	
35	SCREW M6 X 25	
36	AUGER BOTTOM BEARING SUPPORT	49152
37	AUGER	
38	SCALA 1000	49110
39	SCALA 2000	49112
40	SCALA 3000	49113
41	BEARING PAD	31890
42	AUGER UPPER BEARING SUPPORT	49151
43	OIL SEAL TC18*35*7	1510
44	CIRCLIP	1867
45	BEARING PAD	31890
46	GROVER WASHER	48687
47	NUT	31621
48	WASHER	48686
49	SCREW M12 X 45	48685
50	MAIN AUGER SUPPORT AXLE	49151
51	GROVER WASHER	
52	WASHER	
53	SCREW M8 X 45	49131
54	WATER TRAY	
55	GROVER WASHER	
56	WASHER	
57	NUT	
58	SCREW M6 X 40	
59	UPPER BEARING OIL SEAL TC30*50*7	
60	GROVER WASHER	30973
61	WASHER	30972
62	SCREW M5 X 20	30971
63	UPPER BEARING PAD	30969
64	UPPER BEARING 22206 (SFK)	49115
65	UPPER BEARING OIL RING TC38*55*8	31662
66	GROVER WASHER	
67	WASHER	
68	SCREW M6 X 30	
69	UPPER BEARING BOX	30968
70	SCREW M6 X 16	

COMPACT SCALA 1T CONDENSER UNIT



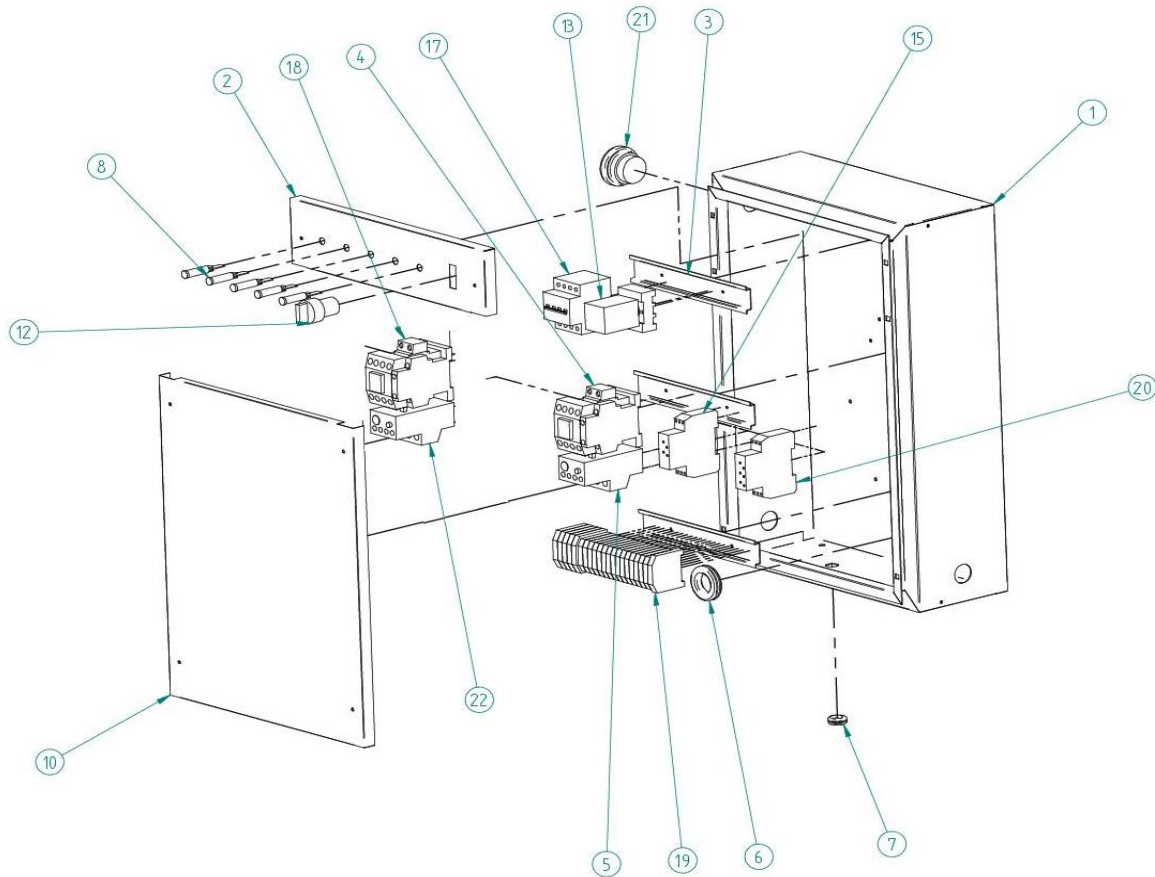
DESCRIPCION		
1	BENCH	6405
2	COMPRESSOR 380V/III/50-60HZ	7842
3	CONDENSER	7894
4	FAN MOTOR	8406
5	LIQUID RECEIVER	3072
6	HIGH/LOW PRESSURE SWITCH	2289
7	CONDENSATION PRESSURE SWITCH	2507
8	LIQUID SIGHT	942
9	DRIER	3064
10	SECURITY VALVE 1/4x3/8	3073
11	HIGH/LOW PRESSURE SWITCH SUPPORT	3242
12	LIQUID SEPARATOR	4052

COMPACT SCALA 400-600-1T ELECTRIC BOX WITH FREQUENCY VARIATOR



DESCRIPTION		
1	ELECTRIC BOX	6174
2	ELECTRIC BOX UPPER COVER	6175
3	DIN RAIL	8356
4	CONTACTOR MC-9A 220V AUXILIAR CONTACT	536A 66793
5	THERMAL RELAY MT-12 COMPRESSOR	47135
6	WIRE HOLE GASKET	2520
7	WIRE HOLE	373
8	RED LIGHT 220V	1457
9	ORANGE LIGHT 220V	1458
10	ELECTRIC BOX BOTTOM COVER	6176
12	TWO POSITIONS SWITCH	30078
13	RELAY MK 2P 220V	390
14	RELAY BASE	391
15	START TIMER	3424
16	GREEN LIGHT 220V	4280
17	BREAKER 4P C16	47397
18	FREQUENCY VARIATOR (GEAR MOTOR)	7918
19	CONNECTOR	8241+8244
20	STOP TIMER	6155
21	EMERGENCY SWITCH	47486
*	PHOTOCELL	30991

COMPACT SCALA 400-600-1T ELECTRIC BOX



DESCRPTION		
1	ELECTRIC BOX	6174
2	ELECTRIC BOX UPPER COVER	6175
3	DIN RAIL	8356
4	CONTACTOR MC-9A 220V	536A
	AUXILIAR CONTACT	6793
5	THERMAL RELAY MT-12 COMPRESSOR	47509
6	WIRE HOLE GASKET	2520
7	WIRE HOLE	373
8	RED LIGHT 220V	1457
9	ORANGE LIGHT 220V	1458
10	ELECTRIC BOX BOTTOM COVER	6176
12	TWO POSITIONS SWITCH	30078
13	RELAY MK 2P 220V	390
14	RELAY BASE	391
15	START TIMER	3424
16	GREEN LIGHT 220V	4280
17	BREAKER 4P C16	47397
18	THERMAL RELAY MT-12 GEAR MOTOR	47135
19	CONNECTOR	8241+8244
20	STOP TIMER	6155
21	EMERGENCY SWITCH	47486
22	CONTACTOR MC-9A 220V	536A
*	PHASE SEQUENCE RELAY	3210
*	PHOTOCELL	30991