



## SCALA CO2

---

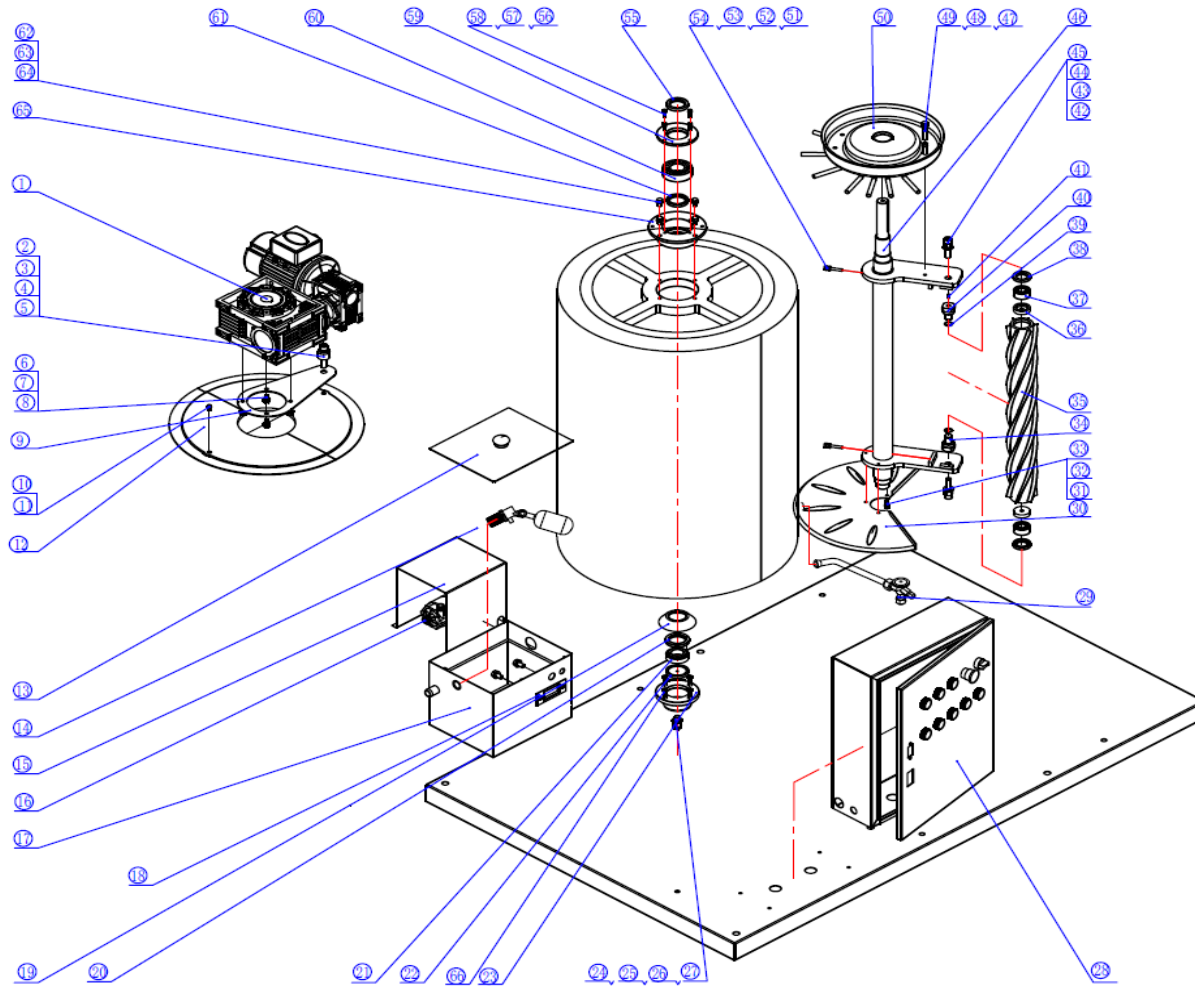
**ITV**  
ICE makers



DESPIECE / REPUESTOS  
EXPLODED VIEW / SPARE PARTS  
EXPLOSIONSZEICHNUNG / ERSATZTEILE  
VUE ÉCLATÉE / PIÈCES DÉTACHÉES  
ESPLOSO / RICAMBI

---

**ITV** | ICE makers **SERVICE** 

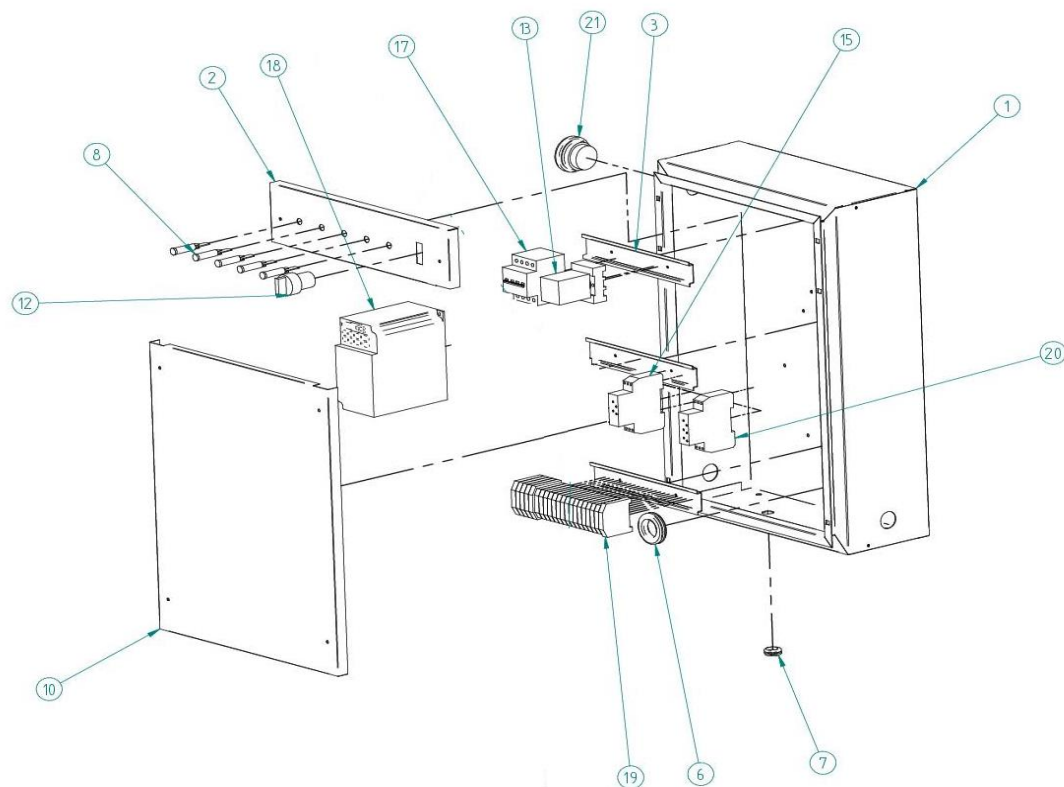


| DESCRIPCION |                                      |       |
|-------------|--------------------------------------|-------|
| 1           | MOTORREDUCTOR 0,18 kW                | 49124 |
| 2           | ARANDELA BRAZO SOPORTE MOTORREDUCTOR | 49136 |
| 3           | ARANDELA GROVER                      | 48687 |
| 4           | ARANDELA                             | 48686 |
| 5           | TORNILLO M12 X 20                    | 48685 |
| 6           | ARANDELA GROVER                      | 31414 |
| 7           | TORNILLO M8 X 16                     | 31415 |
| 8           | ARANDELA                             | 31416 |
| 9           | BRAZO SOPORTE MOTORREDUCTOR          | 31930 |
| 10          | ARANDELA                             |       |
| 11          | TORNILLO M5 X 16                     |       |
| 12          | TAPA REGISTRO EVAPORADOR             | 31595 |
| 13          | TAPA CUBA DE AGUA                    | 35451 |
| 14          | BOYA AGUA                            | 82804 |
| 15          | TAPA BOMBA AGUA                      |       |
| 16          | BOMBA AGUA 1000-2000                 | 49106 |
| 16          | BOMBA AGUA 3000                      | 49107 |
| 17          | CUBA DE AGUA                         | 35450 |
| 18          | JUNTA SALIDA CUBA AGUA               | 31891 |
| 19          | JUNTA AGUA                           | 31892 |
| 20          | RETEN COJINETE INFERIOR              | 31663 |
| 21          | COJINETE INFERIOR 32006 (SFK)        | 49118 |
| 22          | ARANDELA COJINETE INFERIOR           | 30967 |
| 23          | TAPA INFERIOR COJINETE               | 30966 |
| 24          | ARANDELA GROVER                      |       |
| 25          | ARANDELA                             |       |
| 26          | TUERCA                               |       |
| 27          | TORNILLO M12 X 45                    |       |
| 28          | CUADRO ELECTRICO                     | 8320  |
| 29          | VALVULA EXPANSION ELECTRONICA        | 7913  |
| 30          | DEFLECTOR AGUA                       | 49126 |
| 31          | ARANDELA GROVER                      |       |
| 32          | ARANDELA                             |       |
| 33          | TORNILLO M6 X 16                     |       |
| 34          | SOPORTE RODAMIENTO INFERIOR FRESA    | 49152 |
|             | FRESA                                |       |
|             | SCALA 1000                           | 49110 |
|             | SCALA 2000                           | 49112 |
|             | SCALA 3000                           | 49113 |
| 36          | ALMOHADILLA RODAMIENTO               | 31890 |
| 37          | COJINETE FRESA 3203-2RS (SFK)        | 49108 |
| 38          | RETEN COJINETE                       | 1510  |
| 39          | ANILLO DE SEGURIDAD (CIRCLIP)        | 1867  |
| 40          | SOPORTE RODAMIENTO SUPERIOR FRESA    | 49151 |
| 41          | TAPA RODAMIENTO                      | 31890 |
| 42          | ARANDELA GROVER                      | 48687 |
| 43          | TUERCA                               | 31621 |
| 44          | ARANDELA                             | 48686 |
| 45          | TORNILLO M12 X 45                    | 48685 |
| 46          | EJE PRINCIPAL SOPORTE FRESA          | 49151 |
| 47          | ARANDELA GROVER                      |       |
| 48          | ARANDELA                             |       |
| 49          | TORNILLO M8 X 45                     |       |
| 50          | DISTRIBUIDOR DE AGUA                 | 49131 |
| 51          | ARANDELA GROVER                      |       |
| 52          | ARANDELA                             |       |
| 53          | TUERCA                               |       |
| 54          | TORNILLO M6 X 40                     |       |
| 55          | RETEN COJINETE SUPERIOR              |       |
| 56          | ARANDELA GROVE                       | 30973 |
| 57          | ARANDELA                             | 30972 |
| 58          | TORNILLO M6 X 20                     | 30971 |
| 59          | TAPA RODAMIENTO SUPERIOR             | 30969 |
| 60          | COJINETE SUPERIOR 22207 (SFK)        | 49115 |
| 61          | RETEN COJINETE SUPERIOR TC38*55*8    | 31662 |
| 62          | ARANDELA GROVER                      |       |
| 63          | ARANDELA                             |       |
| 64          | TORNILLO M8 X 30                     |       |
| 65          | CAJA COJINETE SUPERIOR               | 30968 |
| 66          | TORNILLO CABEZA HEXAGONAL M12 X 50   |       |
| *           | LLAVE 1/4 CO2                        | 7925  |
|             | ORIFICIO VALVULA EXPANSION           |       |
|             | SCALA 1000: #4                       | 8386  |
|             | SCALA 2000: #5                       | 8592  |
|             | SCALA 3000: #6                       | 8386  |
| *           | VALVULA KVP                          | 30695 |

## CUADRO ELECTRICO



SCALA



|    | DESCRIPCION                    |           |
|----|--------------------------------|-----------|
| 1  | CAJA ELECTRICA                 | 6174      |
| 2  | TAPA SUPERIOR CAJA ELECTRICA   | 6175      |
| 3  | CARRIL DIN                     | 8356      |
| 6  | ARO PASACABLES                 | 2520      |
| 7  | PASACABLES                     | 373       |
| 8  | PILOTO ROJO 220V               | 1457      |
| 9  | PILOTO NARANJA 220V            | 1458      |
| 10 | TAPA INFERIOR CUADRO           | 6176      |
| 12 | SELECTOR MANUAL DOS POSICIONES | 30078     |
| 13 | RELAY MK 2P 220V               | 390       |
| 14 | BASE RELE                      | 391       |
| 15 | TEMPORIZADOR ARRANQUE          | 3424      |
| 16 | PILOTO VERDE 220V              | 4280      |
| 17 | MAGNETOTERMICO 2P 10A          | 8297      |
| 18 | VARIADOR DE FRECUENCIA         | 7918      |
| 19 | BORNERO                        | 8241+8244 |
| 20 | TEMPORIZADOR A LA DESCONEXION  | 6155      |
| 21 | SETA EMERGENCIA                | 47486     |
| *  | FOTOCELULA                     | 30991     |
| *  | DRIVER V800                    | 7916      |
| *  | SONDA TEMPERATURA NTC          | 3004      |
| *  | SONDA PRESION 0-30 BAR         | 7917      |