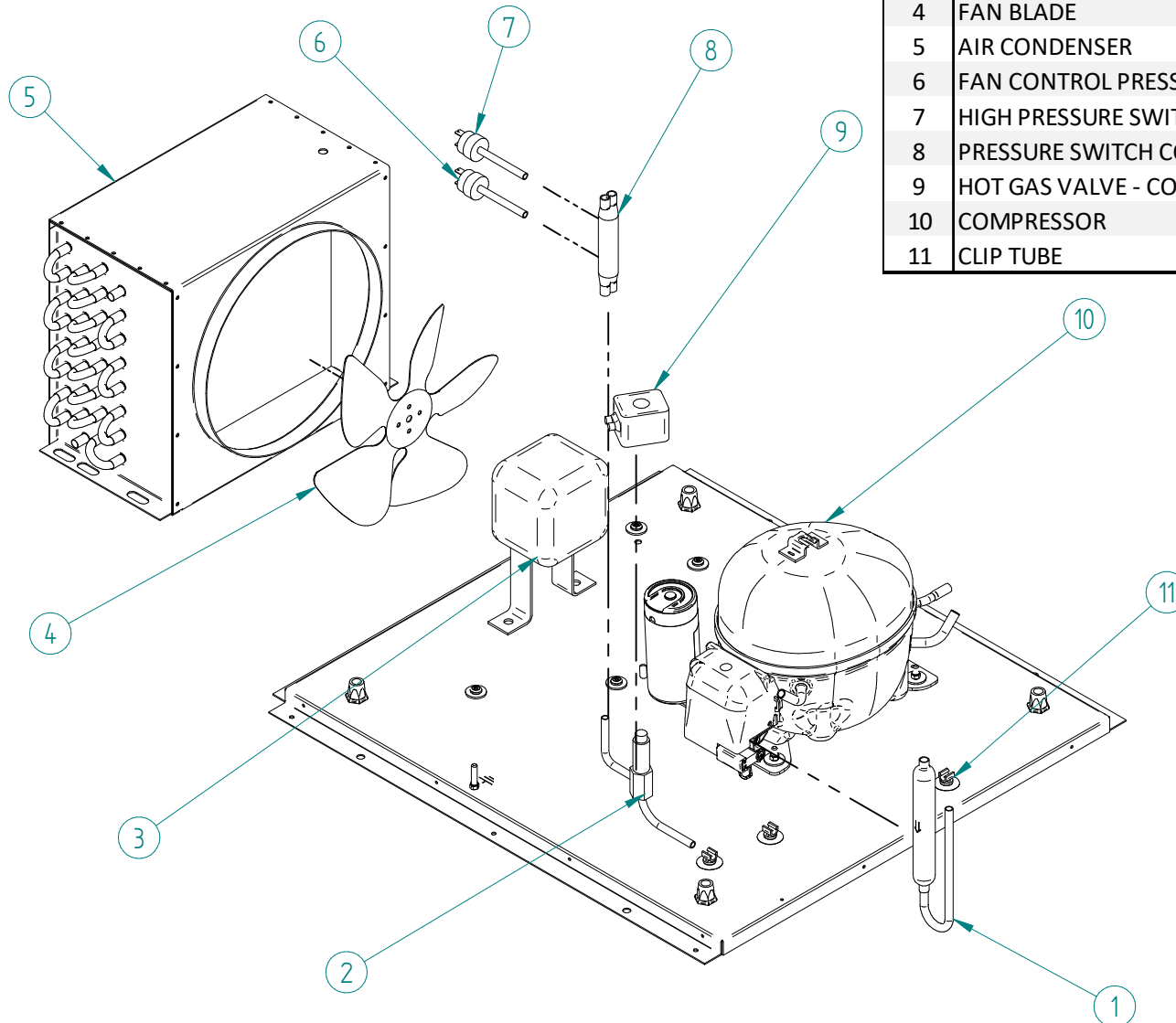


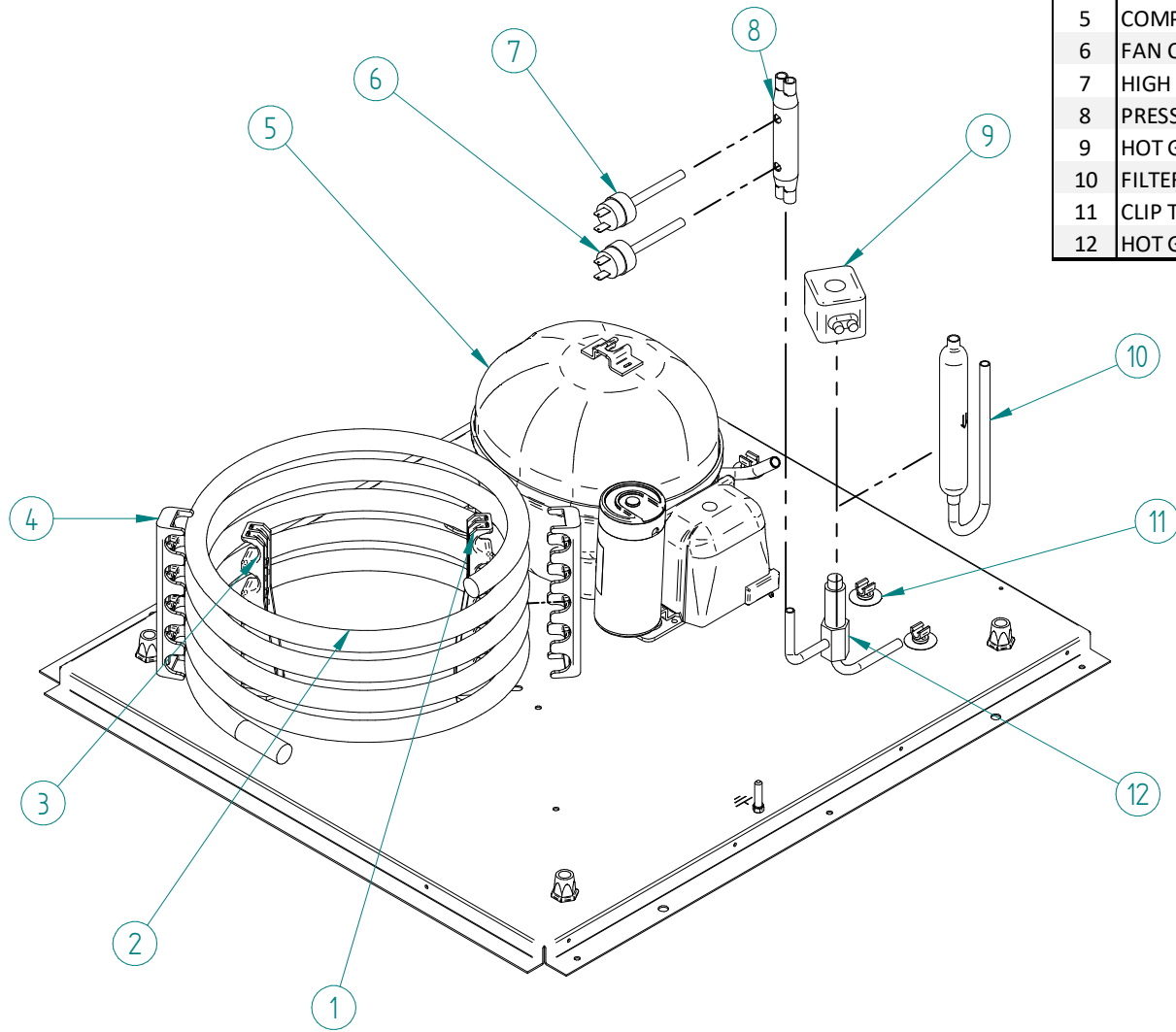
ITV
ICE makers



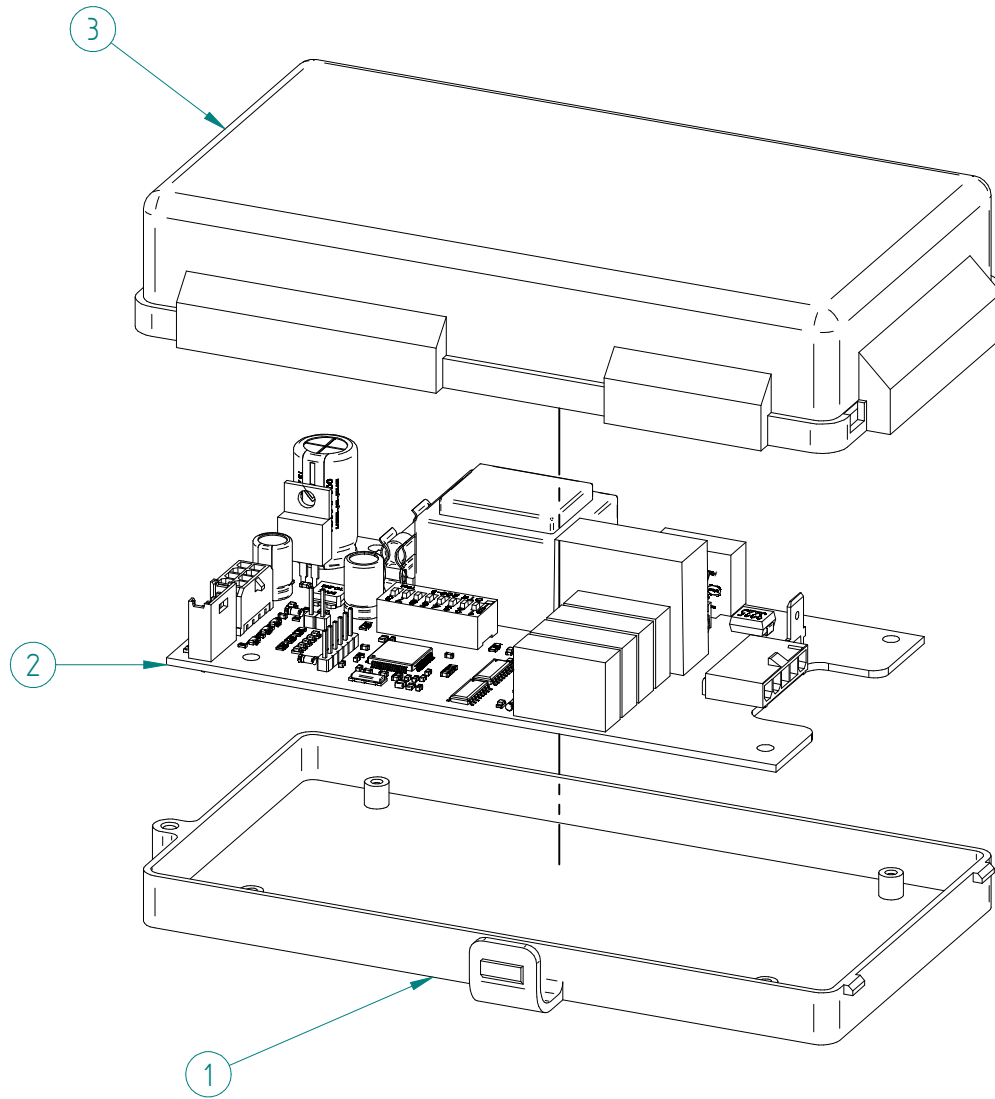
DESPIECE / REPUESTOS
EXPLODED VIEW / SPARE PARTS
EXPLOSIONSZEICHNUNG / ERSATZTEILE
VUE ÉCLATÉE / PIÈCES DÉTACHÉES
ESPLOSO / RICAMBI



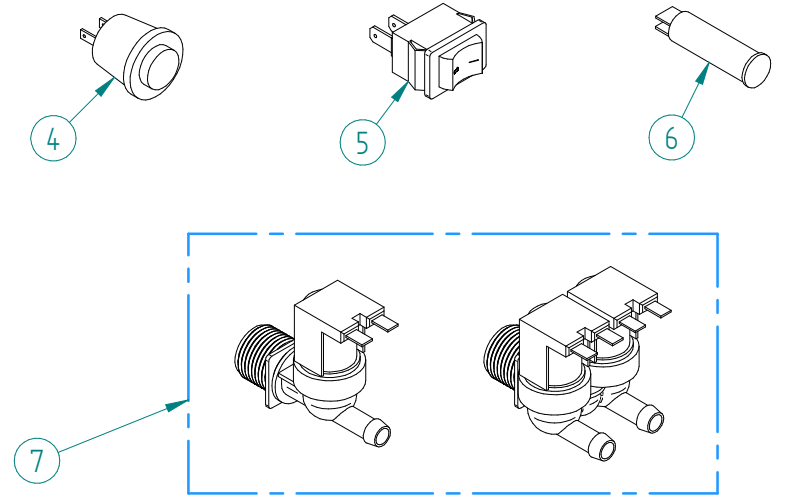
ITEM	DESCRIPTION	20-30	40	50	60	90	130
1	FILTER DRIER			7896			
2	HOT GAS VALVE - BODY	6904		1473			
3	FAN MOTOR 220V/50HZ	2170		28			445
4	FAN BLADE	587		4887			4231
5	AIR CONDENSER	31690		487A		32251	32730
6	FAN CONTROL PRESSURE SWITCH			31160E			
7	HIGH PRESSURE SWITCH			31660E			
8	PRESSURE SWITCH COLLECTOR			31444			
9	HOT GAS VALVE - COIL 220V/50HZ	6906			5173		
10	COMPRESSOR 220V/50HZ	33311	31302	33303		31306	31307
11	CLIP TUBE	337			3533		

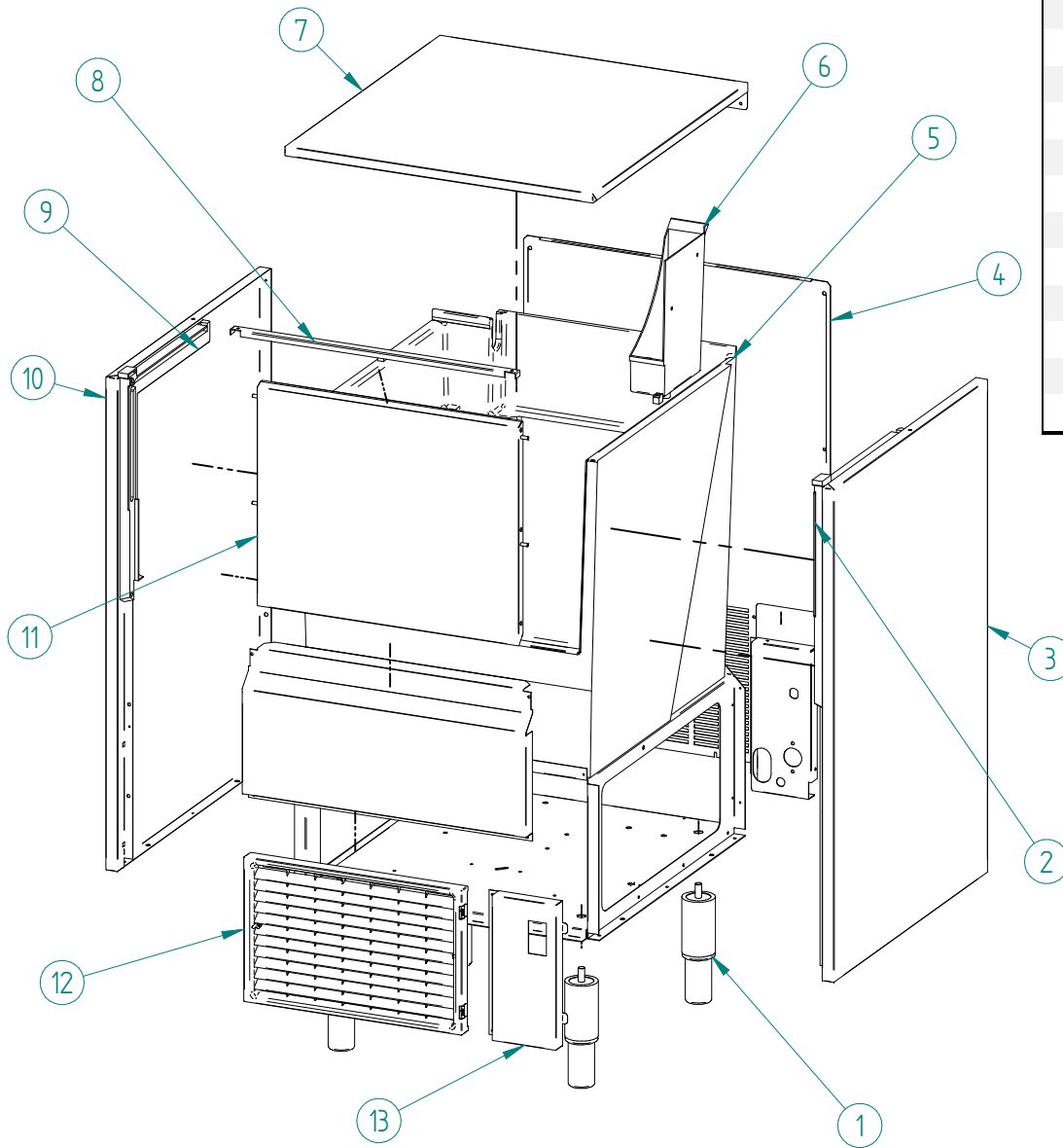


ITEM	DESCRIPTION	20-30	40	50	60	90	130
1	WATER CONDENSER UPPER SUPPORT			4036			
2	WATER CONDENSER	8483		5243		5244	
3	WATER CONDENSER LOWER SUPPORT			4037			
4	WATER CONDENSER EXTERNAL SUPPORT			4038			
5	COMPRESSOR 220V/50HZ	31301	33302	33303		31306	31307
6	FAN CONTROL PRESSURE SWITCH			31160E			
7	HIGH PRESSURE SWITCH			31660E			
8	PRESSURE SWITCH COLLECTOR			31444			
9	HOT GAS VALVE - COIL 220V/50HZ	6906				5173	
10	FILTER DRIER			7896			
11	CLIP TUBE	337				3533	
12	HOT GAS VALVE - BODY	6904				1473	

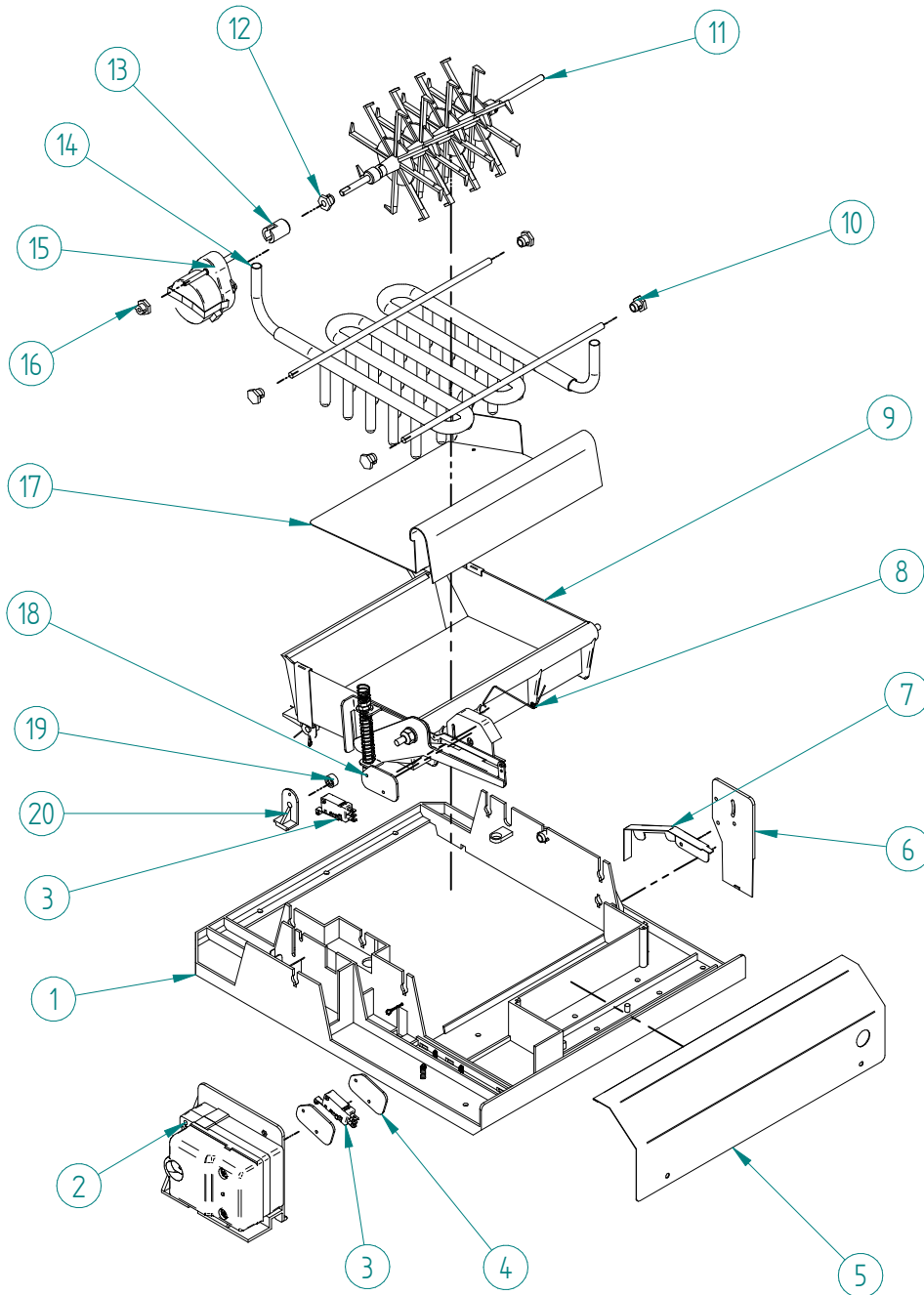


ITEM	DESCRIPTION	20-40	50-130
1	ELECTRIC BOX		2181
2	ELECTRONIC BOARD 220V/50HZ		32715
3	ELECTRIC BOX COVER		2182
4	CLEANING SWITCH		31719
5	MAIN SWITCH		32416
6	LED		32415
7	INLET WATER VALVE SIMPLE 220V/50HZ		329
	INLET WATER VALVE DOUBLE 220V/50HZ	404	6981

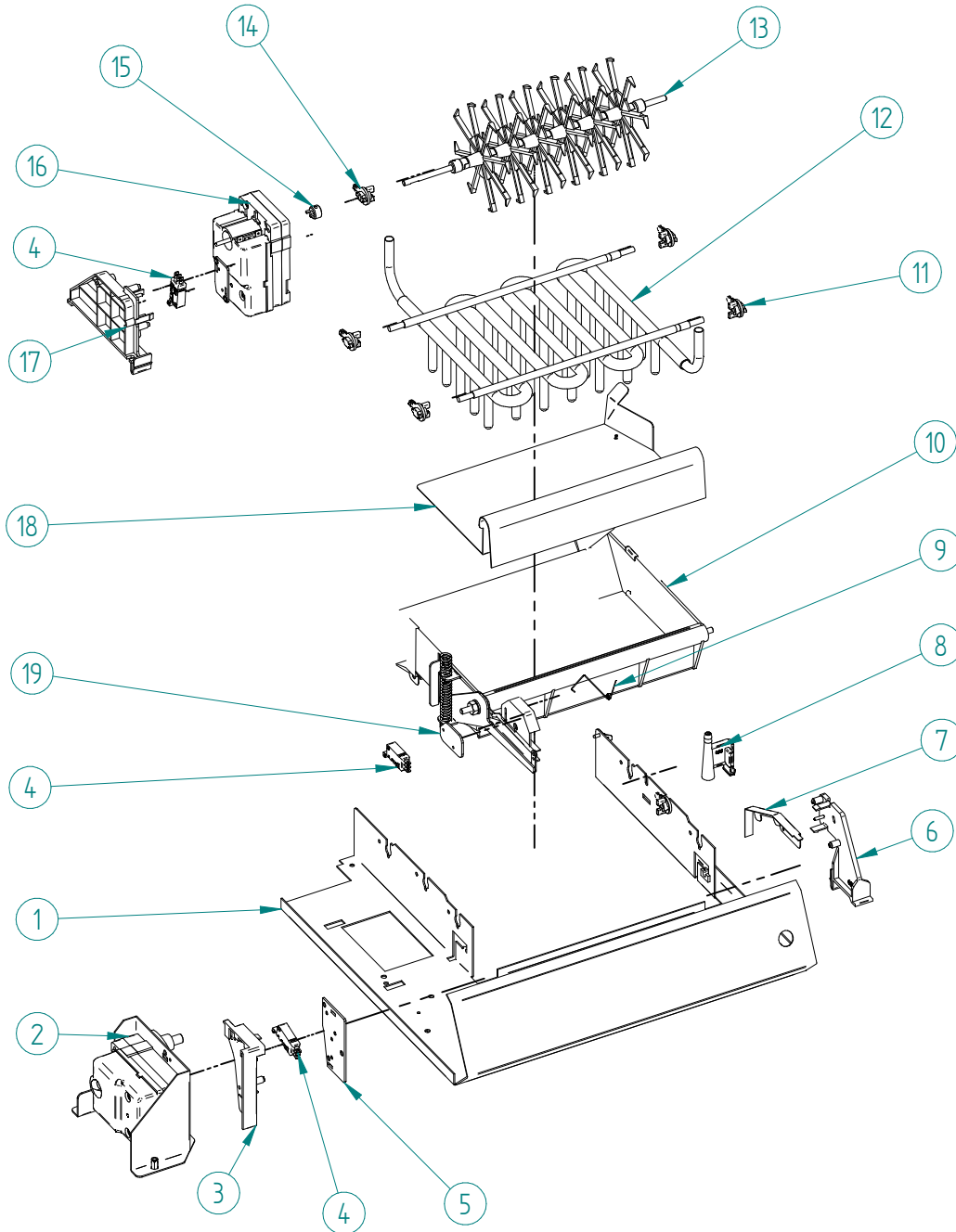




ITEM	DESCRIPTION	20	30-40	50	60	90	130
1	LEGS	2171			1478		
2	RIGHT DOOR GUIDE	1700			1706		
3	RIGHT PANEL	8057	8059	8487	8517	8553B	
4	REAR COVER	8063	8064	8490	8520	8556	8557
5	BIN	7510	8413	7513	7514	7515	7516
6	DRAIN BIN			593			
7	TOP PANEL	8056		8491	8521	8559	8560
8	UPPER REINFORCEMENT	8217		8495	8523	8524	8525
9	LEFT DOOR GUIDE	1701			1707		
10	LEFT PANEL	8058	8060	8488	8518	8554B	
11	DOOR	8204		8506	8538	8539	8540
12	FRONT LOUVER	7885A		4185	4186		4188
13	SUPPORT GRILL	N/A		8492U	8522U	8561U	8562U



ITEM	DESCRIPTION	20	30-40
1	HYDRAULIC BASEMENT	175	
2	MOTOR ASSEMBLY WITH MICRO	8071U	
3	MICRO SWITCH	32998	
4	MICRO PROTECTION	5212	
5	FRONT COVER	32973	
6	WATER LEVEL SENSOR SUPPORT	595	
7	WATER LEVEL SENSOR	32971	
8	STOP SPRING	31508	
9	WATER TRAY ASSEMBLY	5360U	5361U
10	EVAPORATOR SUPPORT	564	
11	PADDLE	8074	
12	PADDLE BEARING	556	
13	PADDLE MOTOR COUPLING BUSH	46	
14	EVAPORATOR	7984	7989
15	PADDLE MOTOR	5364	
16	EXTERNAL PADDLE BEARING	554	
17	ICE CUBE RAMP	5537	5532
18	MICRO PROTECTION	5211	
19	WATER TRAY SUPPLEMENT	674	
20	TRAY AXIS SUPPORT	558	



ITEM	DESCRIPTION	50	60	90	130
1	HYDRAULIC BASEMENT	8496U	8526U	8527U	8528U
2	MOTOR ASSEMBLY WITH MICRO		8507		
3	MICRO SUPPORT		6846		
4	MICRO SWITCH		32998		
5	MICRO PROTECTION		6847		
6	WATER LEVEL SENSOR SUPPORT		6844		
7	WATER LEVEL SENSOR		32971		
8	WATER INLET		6843		
9	STOP MACHINE SPRING		31508		
10	BIN	5203U	5204U	5205U	5273U
11	EVAPORATOR SUPPORT		6841		
12	EVAPORATOR	7998	8022	8027	8032
13	PADDLE	8503	8541	8545	8546
14	PADDLE BRACKET		6842		
15	COUPLING BUSH		30270		
16	PADDLE MOTOR		6837		
17	PADDLE MOTOR SUPPORT		6848		
18	ICE DEFLECTOR	8727	5539	5540	5530
19	MICRO PROTECTION		5211		