

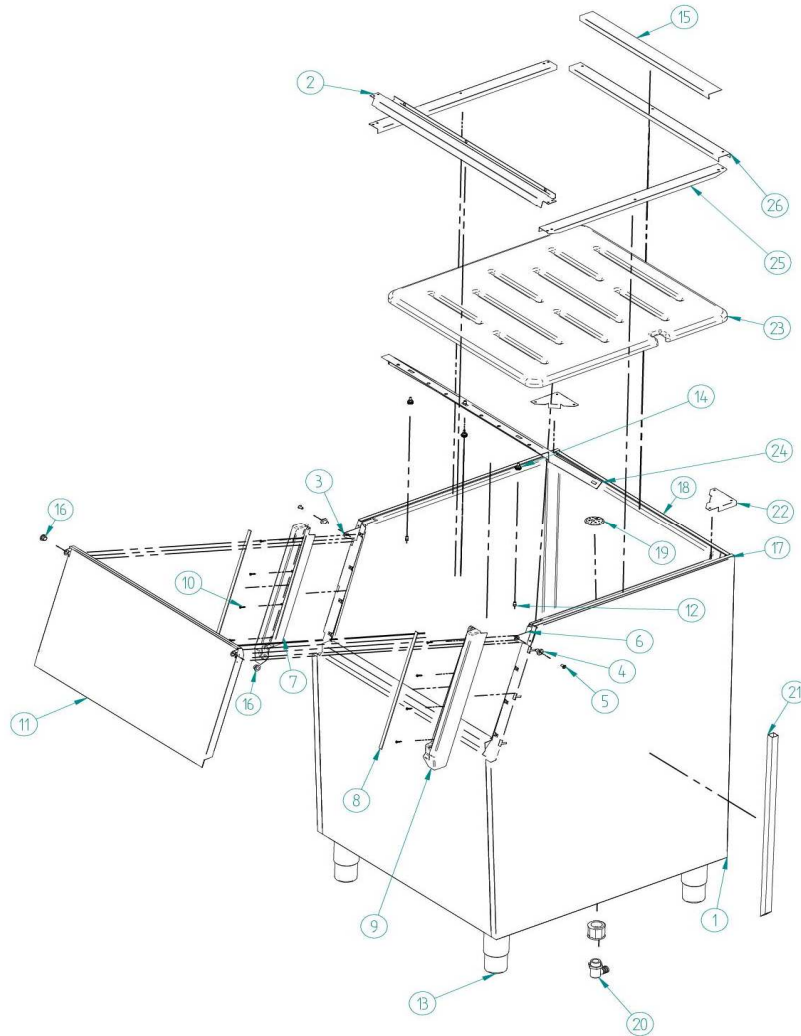
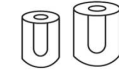
NGQ 150

ITV
ICE makers



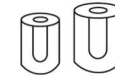
DESPIECE / REPUESTOS
EXPLODED VIEW / SPARE PARTS
EXPLOSIONSZEICHNUNG / ERSATZTEILE
VUE ÉCLATÉE / PIÈCES DÉTACHÉES
ESPLOSO / RICAMBI

ITV | ICE makers **SERVICE** 

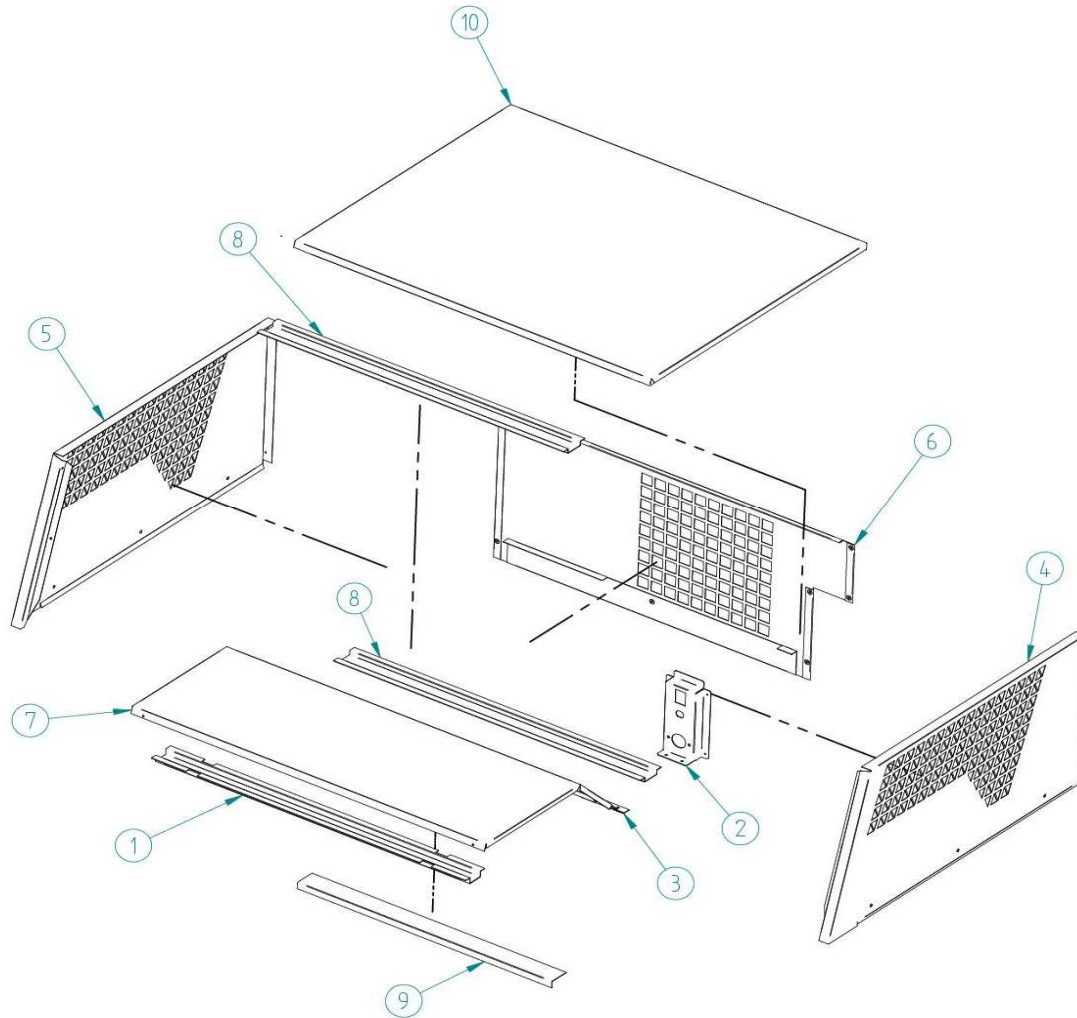


DESCRIPTION		
1	ICE BIN	6752
2	FRONT REINFORCEMENT	6743
3	LEFT SIDE HINGE	6740
4	HINGE AXIS	6735
5	SCREW M 6X12	6753
6	RIGHT SIDE HINGE	6739
7	BIN LEFT SIDE MOUTH	6644
8	OUTLINE	6815
9	BIN RIGHT SIDE MOUTH	6643
10	SCREW	93
11	BIN DOOR	6748
12	RIVET M5X12	1461
13	LEG	6749
14	SCREW	6796
15	REINFORCEMENT BOTTOM COVER	6817
16	HINGE AXIS	6735
17	STRIP	6535
18	STRIP	6535
19	DRAIN GRILLE	766
20	ELBOW	3683
21	DRAIN TUBE	30781
22	TOP CLOSURE	6744
23	ON-FLOOR	30086
24	BIN DEFLECTOR	6745
25	SIDE CLOSURE	6741
26	REAR CLOSURE	6742

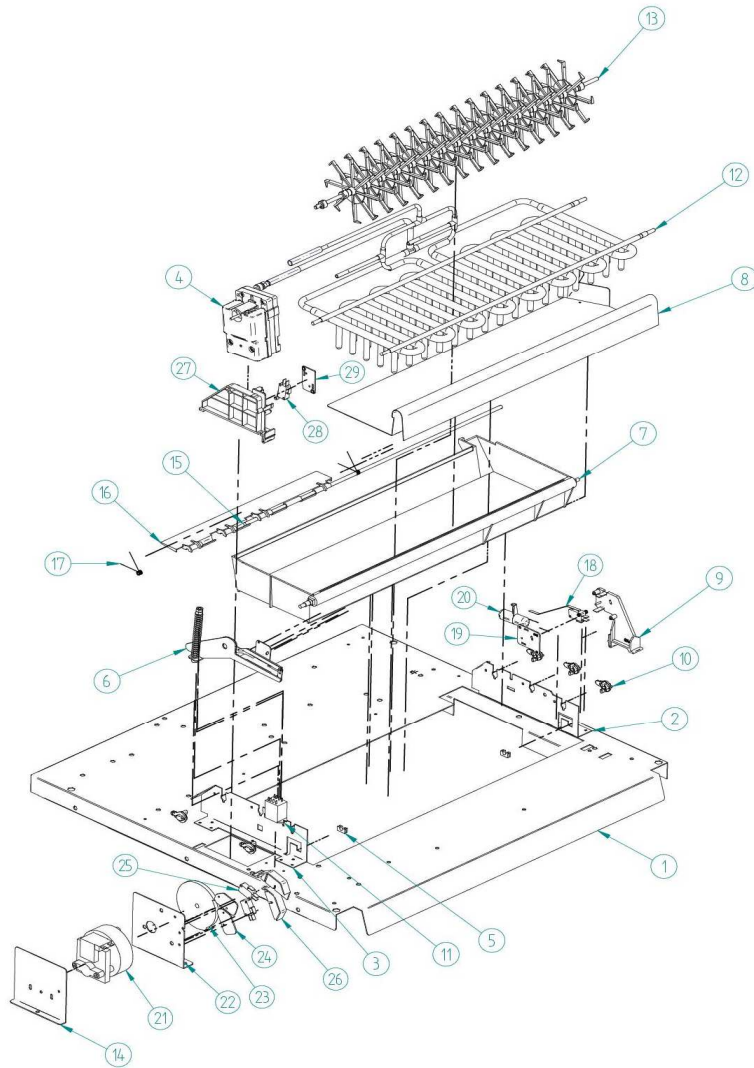
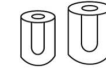
HEAD CABINET



NGQ 150

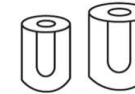


DESCRIPTION		
1	HEAD REINFORCEMENT	8531
2	RUSH SUPPORT	8961
3	BOTTOM WALL	8951
4	RIGHT PANEL	8897
5	LEFT PANEL	8898
6	REAR PANEL	8900
7	UPPER WALL	8950
8	OMEGA RENFORCEMENT	30798
9	REINFORCEMENT	8960
10	COVER PANEL	8901
11	FRONT PANEL	8899

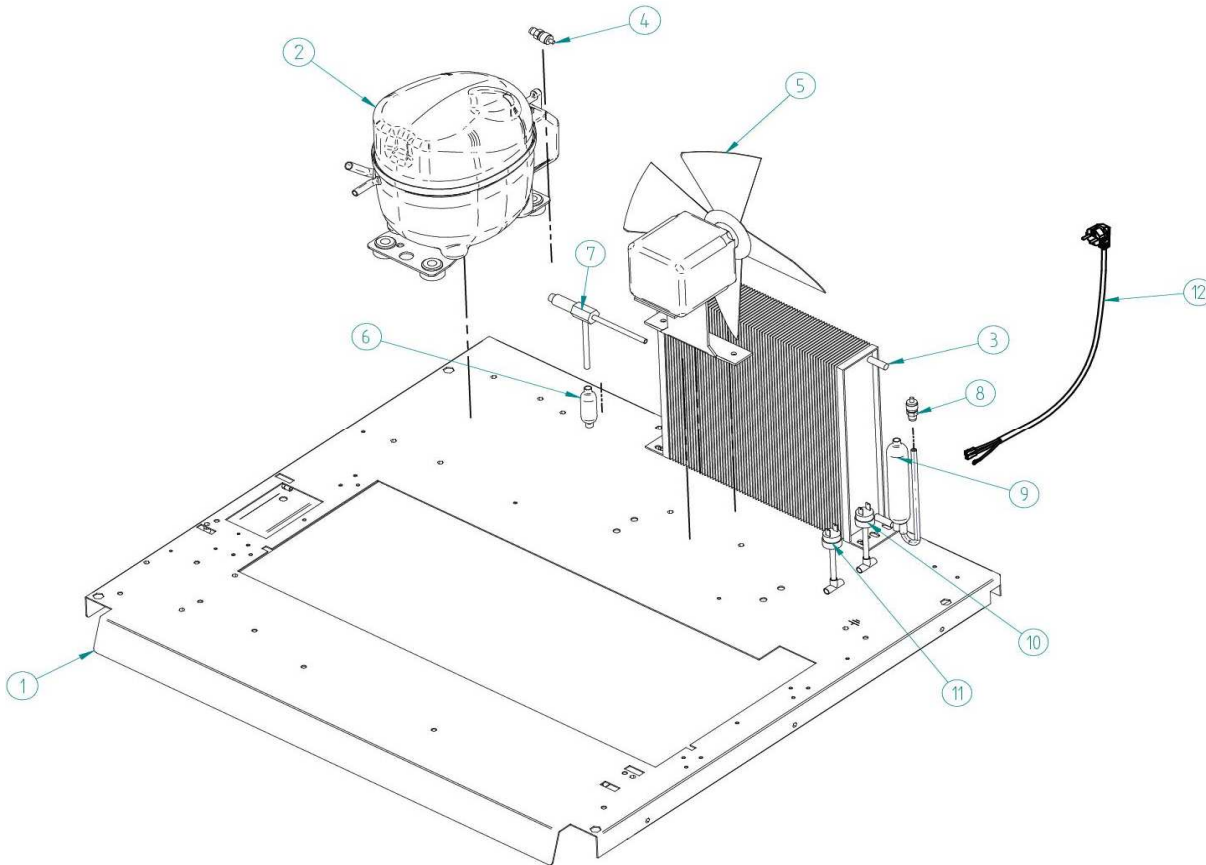


	DESCRIPTION	
1	BENCH	8723
2	EVAPORATOR RIGHT SUPPORT	8724
3	EVAPORATOR LEFT SUPPORT	8725
4	AGITATOR MOTOR	6837
5	OPEN BEARING	168
6	SECURITY SPRING TRAY	68
7	WATER TRAY	5273
8	ICE EJECTOR	5530
10	EVAPORATOR SUPPORT	6841
11	MY2F RELAY	1483
12	EVAPORATOR	8030
13	AGITATOR	8546
15	FLANGED AXE	2075
16	STOP MECHANISIM POSITIONING	812
17	SPRING POSITIONING BOUY	817
18	FLOAT MICRO	388
19	FLOAT MICRO SUPPORT	6845
20	FLOAT	8075
21		
22	COMPLETE TURNING MOTOR (14, 21, 22, 23)	30876
23		
24	MICRO PROTECTION	5211
25	MICRO	387
26	MICRO BOX	371
27	AGITATOR MOTOR SUPPORT	6848
28	AGITATOR MICRO	8079
29	AGITATOR MICRO COVER	6849

AIR CONDENSER



NGQ 150



DESCRIPTION		
1	BENCH	8723
2	COMPRESSOR 220V/50HZ	6007
3	AIR CONDENSER	4157
4	CHARGING VALVE	335
5	FAN	2446
	BLADE	8609
	FAN SUPPORT	8711
6	FILTER	448A
7	HOT GAS VALVE	1473
8	CHARGING VALVE	335
9	DRIER	1717
10	HIGH PRESSURE SWITCH	334
11	CONDENSATING PRESSURE SWITCH	7476E
12	CORD	408