

IQN/F R452A

ITV
ICE makers

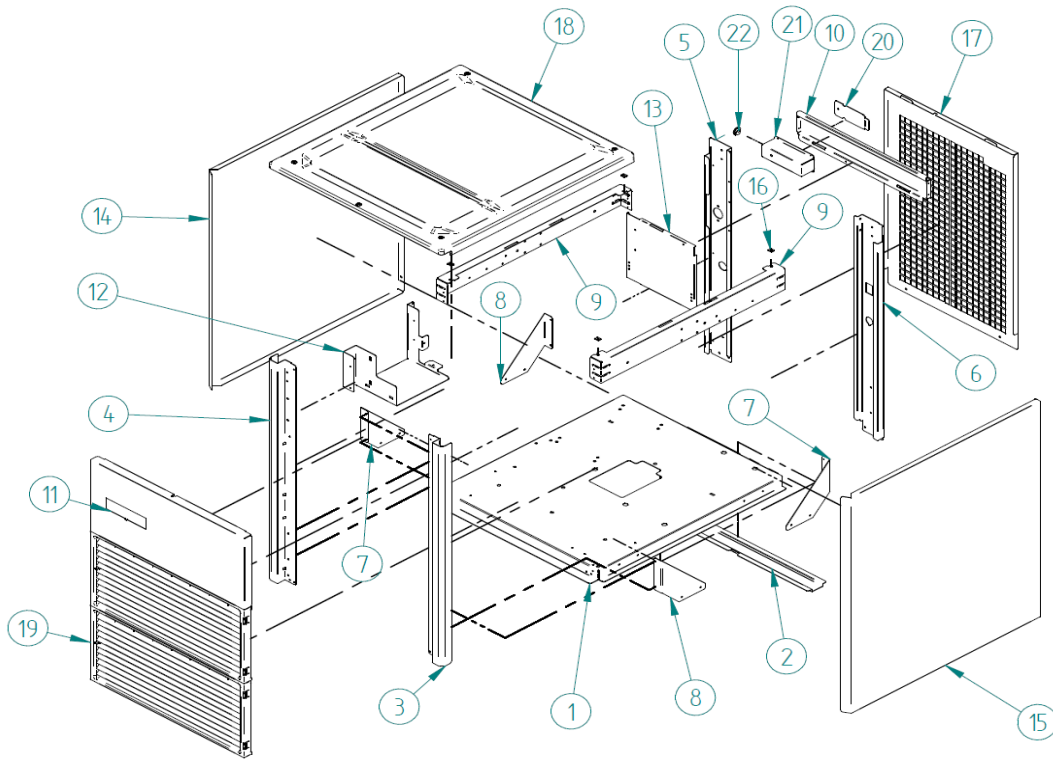


DESPIECE / REPUESTOS
EXPLODED VIEW / SPARE PARTS
EXPLOSIONSZEICHNUNG / ERSATZTEILE
VUE ÉCLATÉE / PIÈCES DÉTACHÉES
ESPLOSO / RICAMBI

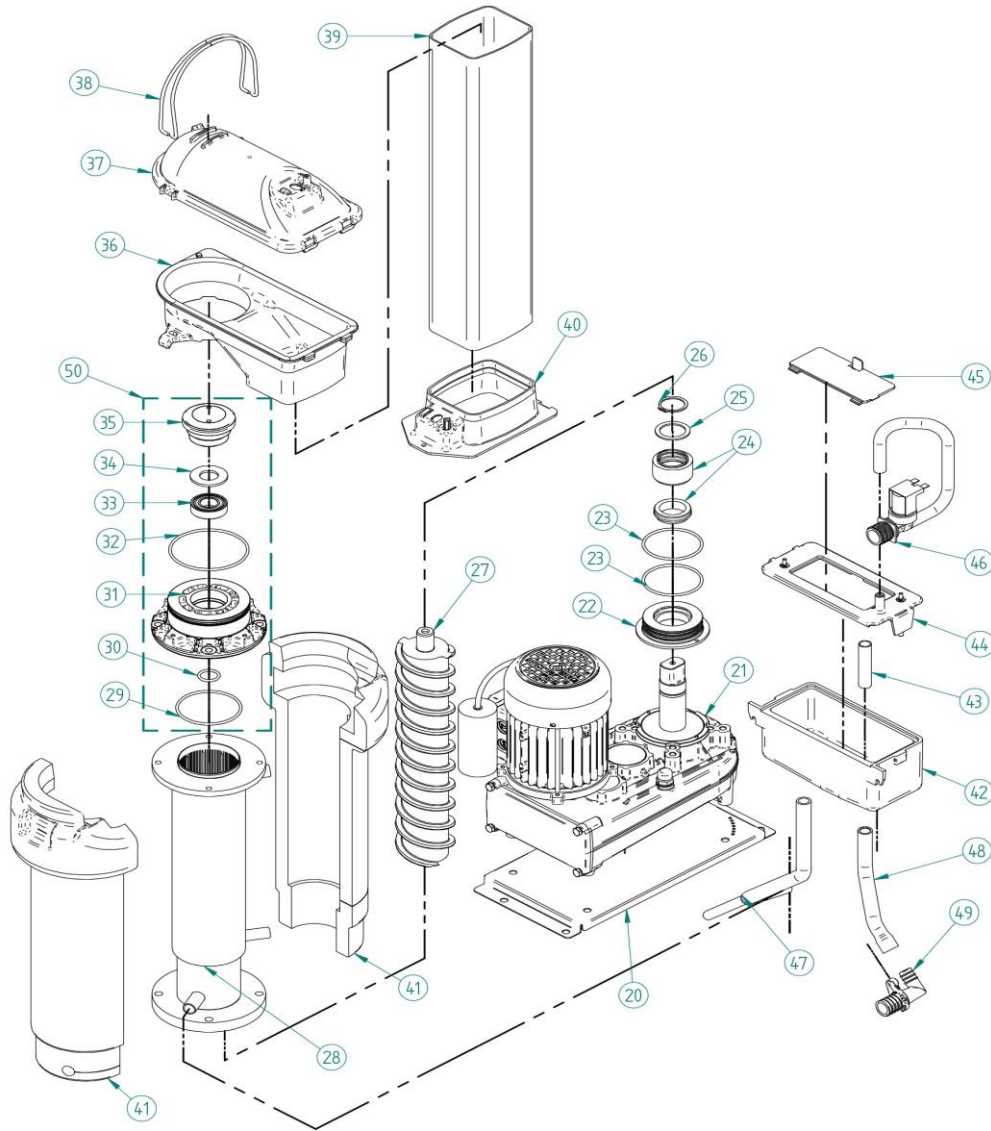
ITV | ICE makers **SERVICE** 

CABINET

IQN/F R452A



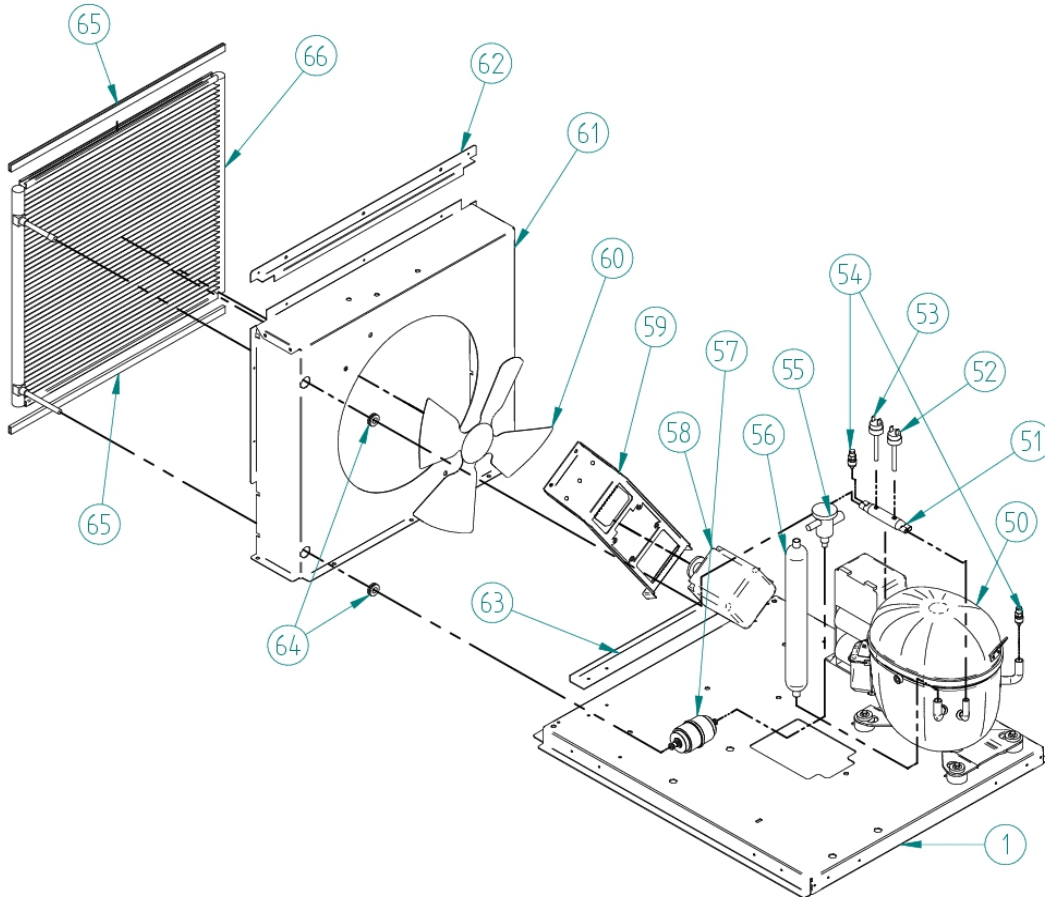
| ITEM | DESCRIPTION | IQN/F 300 220V/50HZ | IQN/F 300 115V/60HZ |
|------|----------------------------|------------------------|------------------------|
| 1 | BENCH | | 31463 |
| 2 | OMEGA BENCH | | 31504 |
| 3 | RIGHT SUPPORT | | 31464 |
| 4 | LEFT SUPPORT | | 31465 |
| 5 | LEFT REAR SUPPORT | | 31467 |
| 6 | RIGHT REAR SUPPORT | | 31466 |
| 7 | SUPPORT REINFORCEMENT | | 31468 |
| 8 | SUPPORT REINFORCEMENT | | 31469 |
| 9 | SIDE REINFORCEMENT | | 31470 |
| 10 | REAR SUPPORT REINFORCEMENT | | 31472 |
| 11 | TOP SUPPORT | | 31473 |
| 12 | ELECTRICAL BOX SUPPORT | | 31483 |
| 13 | WATER BIN SUPPORT | | 31477 |
| 14 | LEFT PANEL | | 31475 |
| 15 | RIGHT PANEL | | 31474 |
| 16 | NUT | | 311 |
| 17 | REAR PANEL | | 31476 |
| 18 | TOP PANEL | | 30423 |
| 19 | AIR GRID | | 4186 |
| 20 | POWER SUPPLY COVER UL | | - |
| 21 | POWER SUPPLY BOX UL | | - |
| 22 | RUBBER GROMMET | | - |



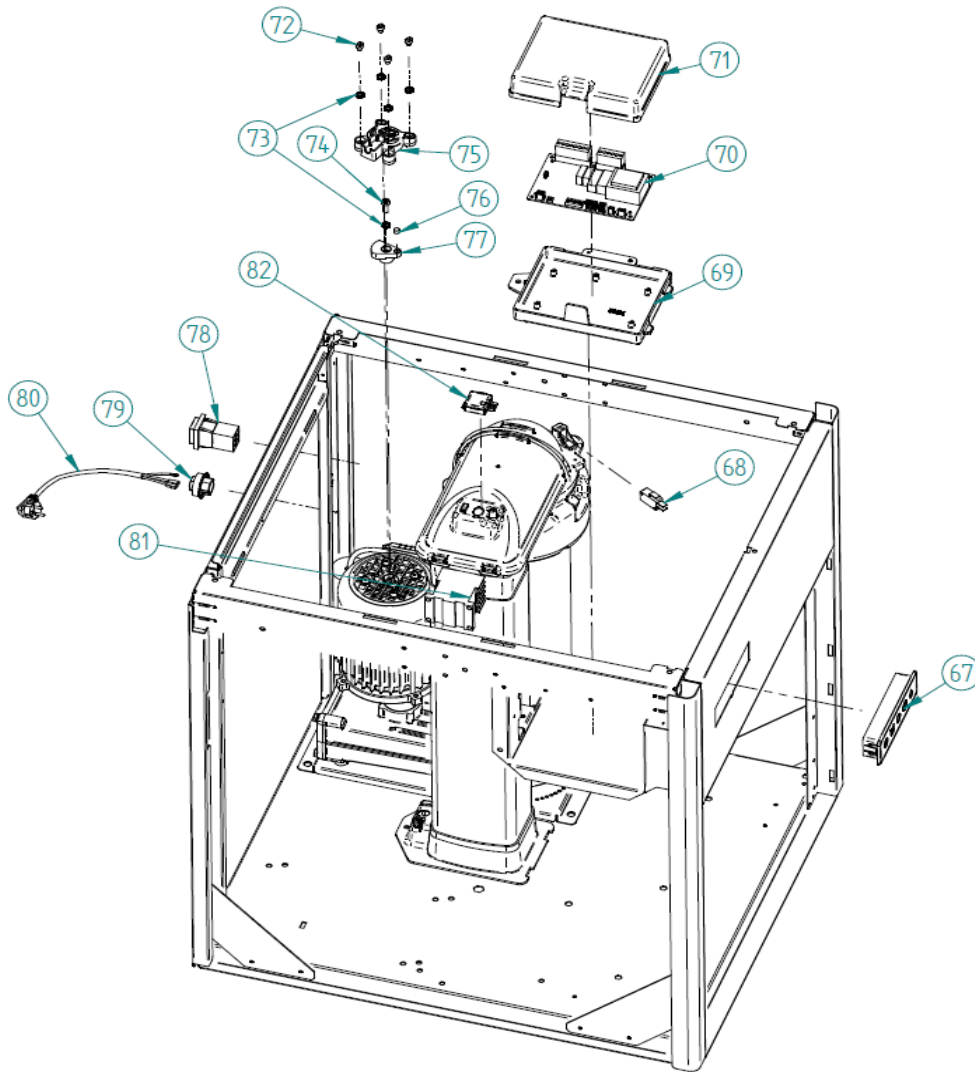
| ITEM | DESCRIPTION | IQN/F 300 | IQN/F 300 |
|------|--|-----------|-----------|
| | | 220V/50HZ | 115V/60HZ |
| 20 | GEAR MOTOR SUPPORT | | 31484 |
| 21 | GEAR MOTOR 220V/50-60HZ GEAR MOTOR 115V/60HZ | 30562R | - |
| | | - | 30563B |
| 22 | EVAPORATOR SUPPORT | | 30435 |
| 23 | O-RING | | 30492 |
| 24 | MECHANICAL CLOSING | | 8962 |
| 25 | WASHER | | 30576 |
| 26 | SEEGER WASHER | | 8957 |
| 27 | AUGER | | 30436 |
| 28 | EVAPORATOR | | 31604 |
| 29 | O-RING | | 30496 |
| 30 | O-RING | | 30494A |
| 31 | FLAKER EXTRUDER (IQF) NUGGETS EXTRUDER (IQN) | | 30589 |
| | | | 31242 |
| 32 | O-RING | | 8954 |
| 33 | BEARING | | 30495 |
| 34 | FLAT WASHER | | 30577 |
| 35 | FLAKER ICE BREAKER (IQF) NUGGETS ICE BREAKER (IQN) | | 30590 |
| | | | 30444 |
| 36 | ICE EXIT | | 30452 |
| 37 | ICE EXIT COVER | | 30445A |
| 38 | O-RING | | 30499A |
| 39 | ICE EXIT CHUTE | | 30732 |
| 40 | ICE EXIT CHUTE SUPPORT | | 30791 |
| 41 | EVAPORATOR INSULATION | | 31247 |
| 42 | WATER TANK | | 1966A |
| 43 | OVERFLOW TUBE | | 31781 |
| 44 | WATER TANK COVER | | 30432 |
| 45 | COVER | | 1968G |
| 46 | WATER INLET 220V/50-60HZ WATER INLET 115V/60HZ | 31780 | - |
| | | - | 31779 |
| 47 | WATER INLET PIPE | | 30855 |
| 48 | DRAIN PIPE | | 30856 |
| 49 | DRAIN CONNECTOR | | 30850 |
| 50 | CONVERSION KIT OF IQN INTO IQF CONVERSION KIT OF IQF INTO IQN | | 32956 |
| | | | 32957 |

AIR CONDENSER UNIT

IQN/F R452A



| ITEM | DESCRIPTION | IQN/F 300 | IQN/F 300 |
|------|-------------------------------|-----------|-----------|
| | | 220V/50HZ | 115V/60HZ |
| 1 | BENCH | | 31463 |
| 50 | COMPRESSOR 220V/50HZ | 6008 | - |
| | COMPRESSOR 115V/60HZ | - | 30692 |
| 51 | PRESSURE SWITCH COLLECTOR | | 31444 |
| 52 | HIGH PRESSURE SWITCH | | 334 |
| 53 | CONDENSATION PRESSURE SWITCH | | 7476E |
| 54 | CHARGE VALVE | | 335 |
| 55 | EXPANSION VALVE | | 1035 |
| 56 | FILTER SEPARATOR | | 6805 |
| 57 | DRIER | | 2560 |
| 58 | FAN MOTOR 220V/50-60HZ | 2446 | - |
| | FAN MOTOR 115V/60HZ | - | 8096 |
| 59 | FAN SUPPORT | | 31751 |
| 60 | FAN BLADE | | 6398 |
| 61 | CONDENSER BAFLE | | 31748 |
| 62 | UPPER CONDENSER REINFORCEMENT | | 31749 |
| 63 | LOWER CONDENSER REINFORCEMENT | | 31750 |
| 64 | RUBBER GROMMET | | 31746 |
| 65 | RUBBER REINFORCEMENT | | 31747 |
| 66 | CONDENSER | | 31683 |



| ITEM | DESCRIPTION | IQN/F 300 | |
|------|-------------------------------|-----------|-----------|
| | | 220V/50HZ | 115V/60HZ |
| 67 | LED PANEL | | 30566A |
| 68 | ICE FULL MICRO SWITCH | | 31482 |
| 69 | ELECTRIC BOX | | 30792 |
| 70 | ELECTRONIC BOARD 220V/50-60HZ | 30564A | - |
| | ELECTRONIC BOARD 115V/60HZ | - | 30565A |
| 71 | ELECTRIC BOX COVER | | 31274 |
| 72 | SCREW | | 2595 |
| 73 | WASHER | | 291 |
| 74 | SCREW | | 47743 |
| 75 | ROTATION SENSOR | | 30568 |
| 76 | MAGNET | | 30448 |
| 77 | MAGNET SUPPORT | | 30449 |
| 78 | SWITCH 220V/50-60HZ | 2287 | - |
| | SWITCH 115V/60HZ | - | 31679 |
| 79 | CABLE RESTRAINER | | 4907 |
| 80 | POWER CORD 220V/50-60HZ | 408 | - |
| | POWER CORD 115V/60HZ | - | 2771 |
| 81 | CONTACTOR 220V/50-60HZ | 1002A | - |
| | CONTACTOR 115V/60HZ | - | 30026 |
| 82 | STOCK ICE SENSOR | | 31261 |