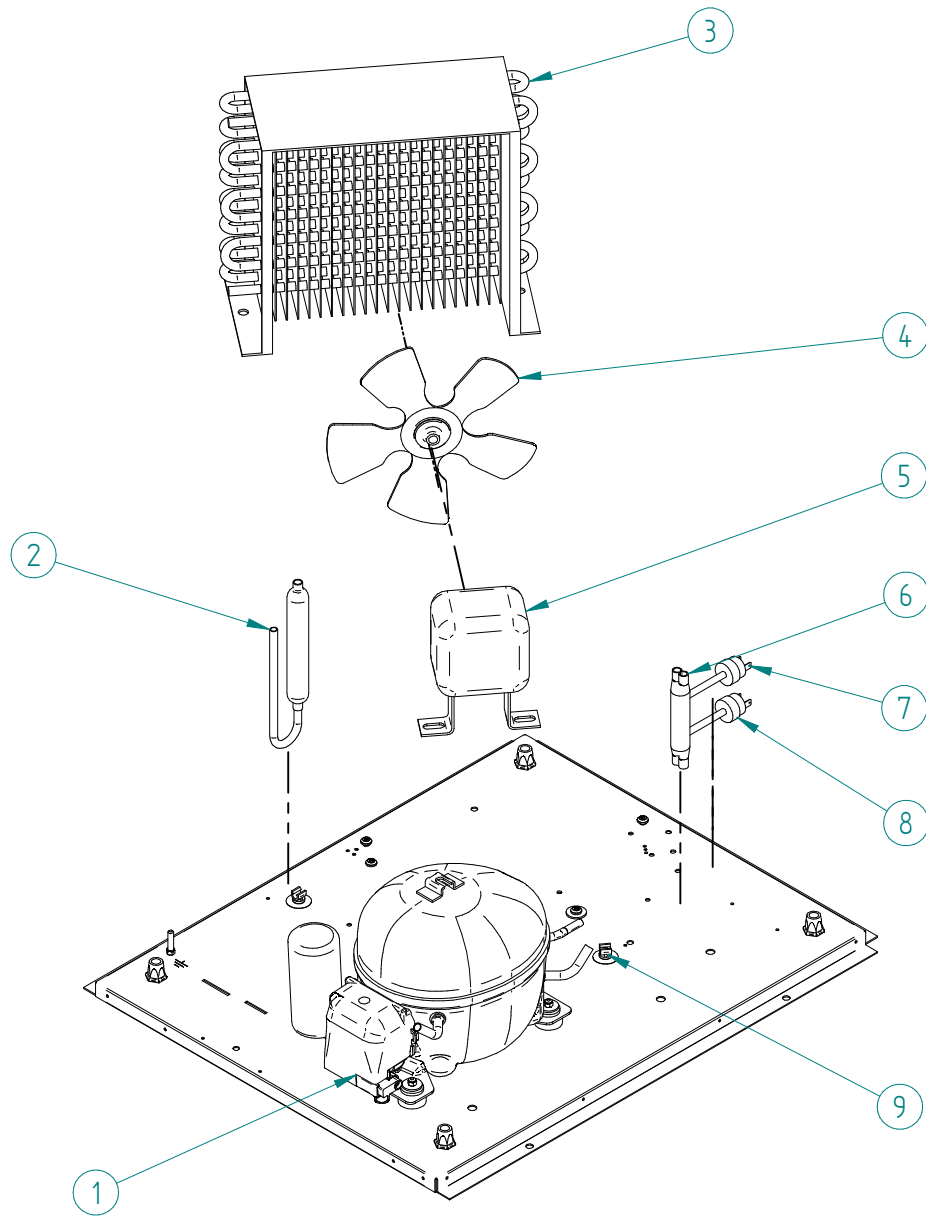




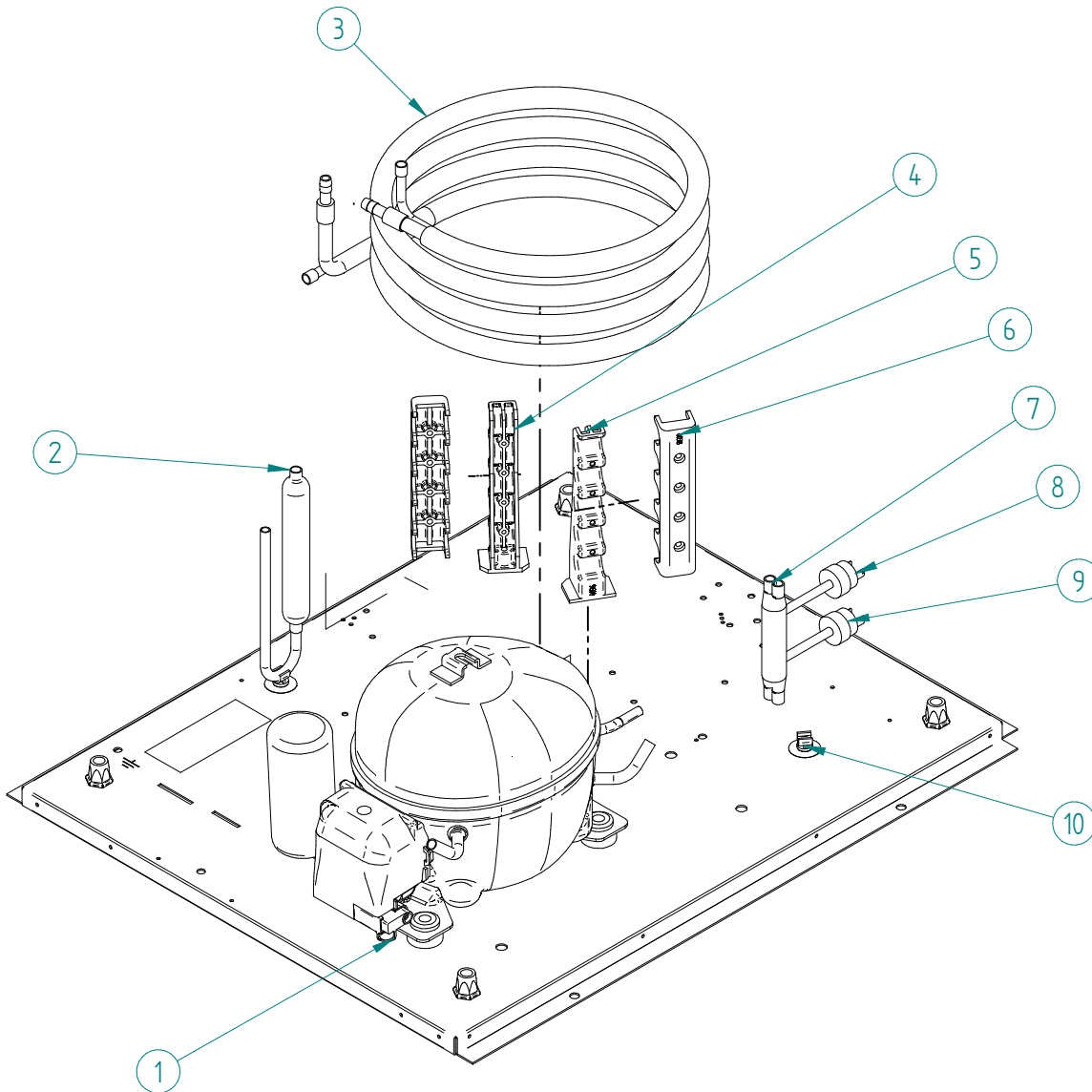
ITV
ICE makers



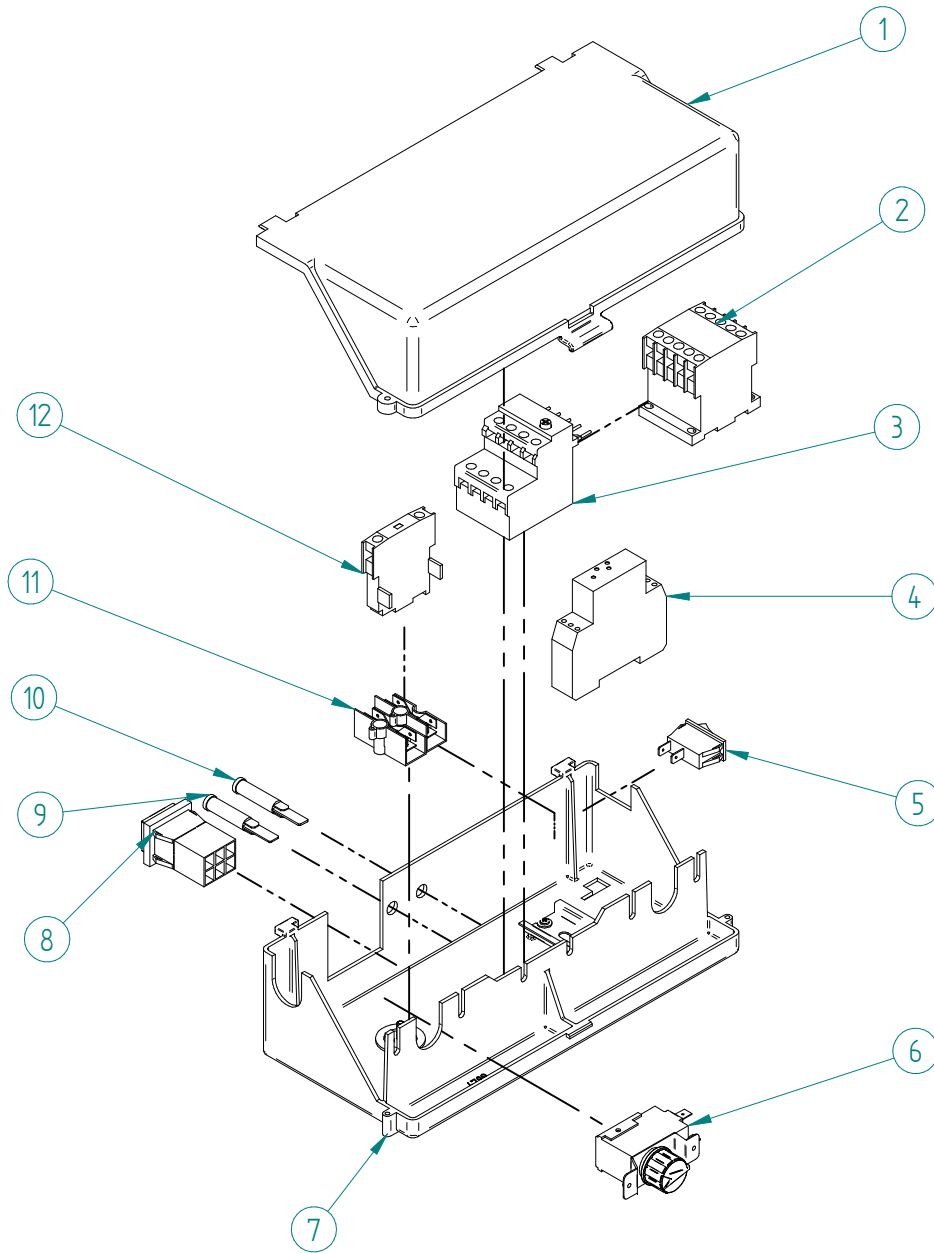
DESPIECE / REPUESTOS
EXPLODED VIEW / SPARE PARTS
EXPLOSIONSZEICHNUNG / ERSATZTEILE
VUE ÉCLATÉE / PIÈCES DÉTACHÉES
ESPLOSO / RICAMBI



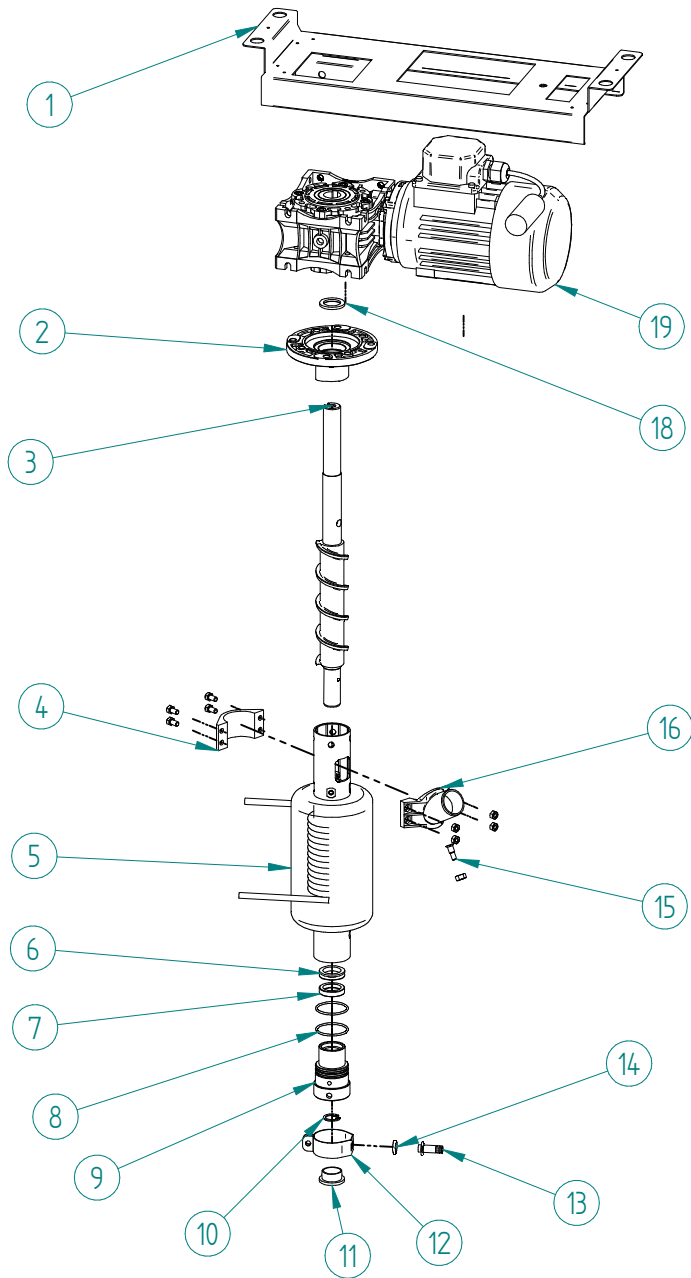
ITEM	DESCRIPTION	50	85
1	COMPRESSOR 220V/50HZ	31300	31301
2	FILTER DRIER	7896	
3	AIR CONDENSER	491	
4	FAN BLADE	4040	4887
5	FAN MOTOR 220V/50HZ	2170A	960
6	PRESSURE SWITCH COLLECTOR	31444	
7	FAN CONTROL PRESSURE SWITCH	31160E	
8	HIGH PRESSURE SWITCH	31660E	
9	PLASTIC CLIP 1/4"	3533	



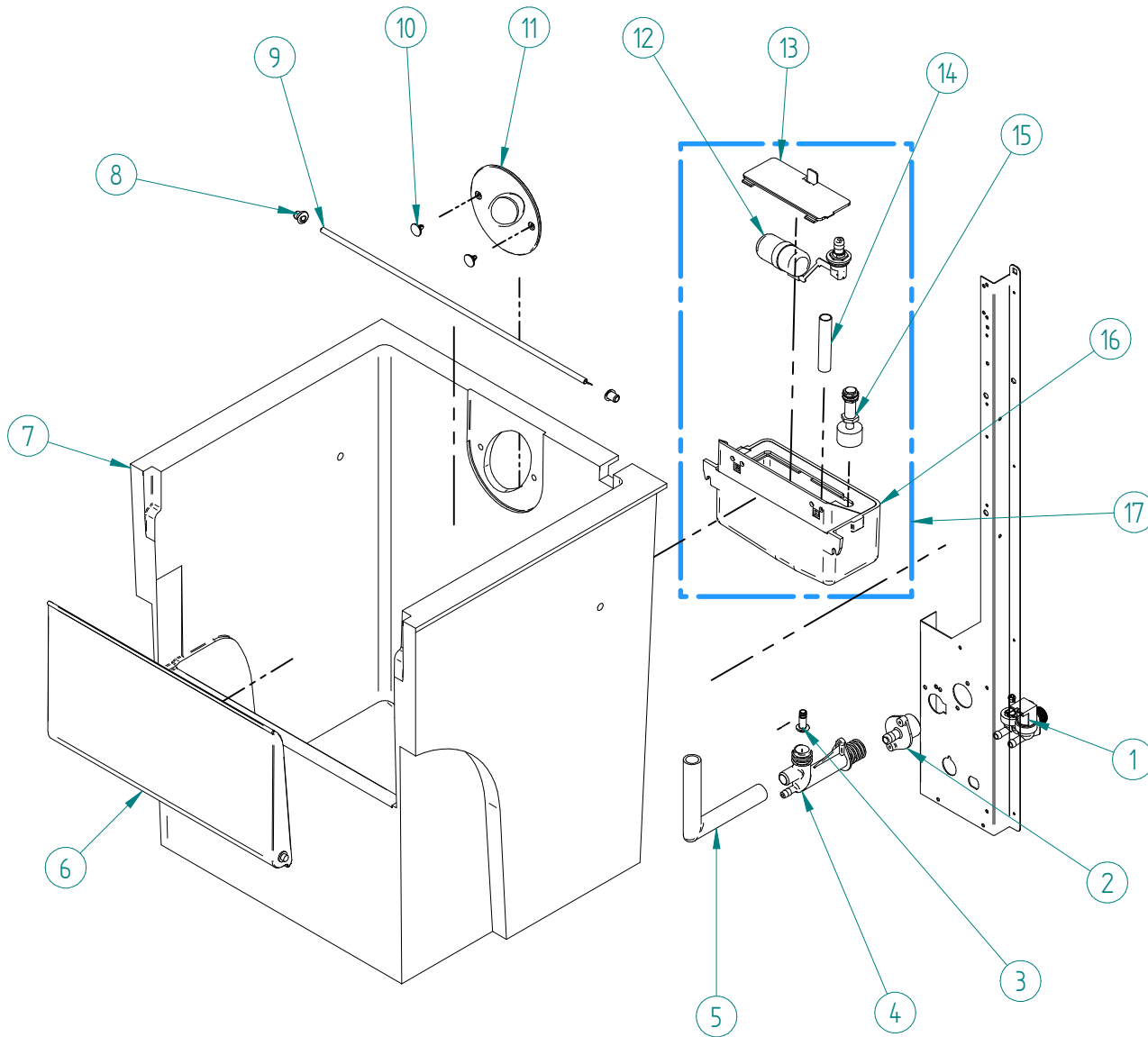
ITEM	DESCRIPTION	50	85
1	COMPRESSOR 220V/50HZ	31300	31301
2	FILTER DRIER		7896
3	AIR CONDENSER	5016	5017
4	WATER CONDENSER LOWER SUPPORT		4037
5	WATER CONDENSER UPPER SUPPORT		4036
6	WATER CONDENSER EXTERNAL SUPPORT		4038
7	PRESSURE SWITCH COLLECTOR		31444
8	FAN CONTROL PRESSURE SWITCH		31160E
9	HIGH PRESSURE SWITCH		31660E
10	PLASTIC CLIP 1/4"		3533



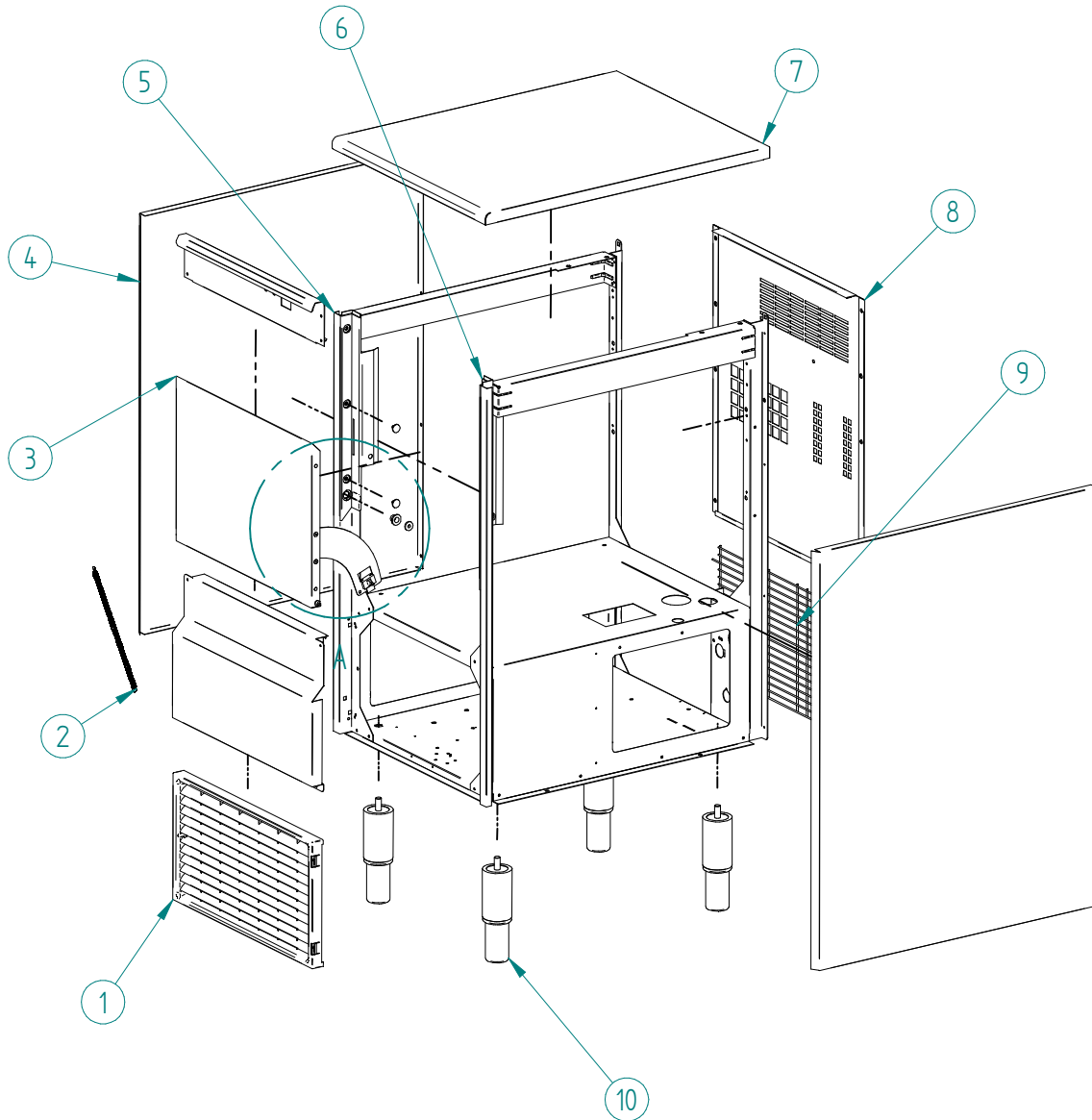
ITEM	DESCRIPTION	50-85
1	ELECTRIC BOX COVER	4790
2	CONTACTOR 220V/50HZ	1002A
3	RELAY 220V/50HZ	1003
4	TIMER	2471
5	CLEANING SWITCH	2300
6	BIN THERMOSTAT	274
7	ELECTRIC BOX	4789
8	ON/OFF SWITCH	2287
9	RED LED	1457
10	AMBER LED	1458
11	TERMINAL BLOCK	5177
12	AUXILIARY CONTACT	1004



ITEM	DESCRIPTION	50-85
1	GEAR MOTOR SUPPORT	6044
2	FLANGE/PLATE	109
3	AUGER	115E
4	EVAPORATOR FLANGE	1008
5	EVAPORATOR	7012C
6	V-RING	80
7	DOUBLE SEAL	75
8	O-RING BEARING	86
9	LOWER BEARING	97B
10	INNER RING	1390
11	BEARING CAP	92
12	INLET WATER FLANGE	211
13	INLET WATER	1005
14	INLET WATER O-RING	1006
15	DRAINAGE	785
16	OUTLET ICE TUBE	1007
17	OUTLET ICE O-RING	1391
18	SPACER	6072
19	GEAR MOTOR	220V/50HZ 6486
20	EVAPORATOR ASSEMBLY (From 3 to 17)	6037C



ITEM	DESCRIPTION	50-85
1	INLET WATER VALVE 220V/50HZ	1910 + 4526
2	INLET WATER FITTING	1689
3	INLET WATER PIN	1005
4	DRAIN FITTING	363
5	DRAIN TUBE	33766
6	DOOR SUPPORT	1123
7	BIN	7380
8	THERMOSTAT JOINT	666
9	THERMOSTAT TUBE	5219
10	CLIP	113
11	OUTLET ICE TUBE	1053
12	FLOAT VALVE	5340
13	WATER BIN COVER	1968G
14	OVERFLOW TUBE	2505
15	WATER LEVEL SENSOR	5423
16	WATER BIN	1966A
17	WATER BIN ASSEMBLY	5231A



ITEM	DESCRIPTION	50-85
1	FRONT LOUVER	4063
2	DOOR SPRING	702
3	DOOR ASSEMBLY	5030
4	BOTH SIDE PANEL	489UA
5	LEFT DOOR GUARD	83
6	RIGHT DOOR GUARD	82
7	TOP PANEL	920A
8	REAR COVER	635A
9	REAR GRILL	1728
10	LEG	1478
11	DOOR AXE BEARING	1001
12	DOOR AXE BUSHING	155
13	CLIP	113
14	DOOR BUMPER	156
15	DOOR SCREW	392

