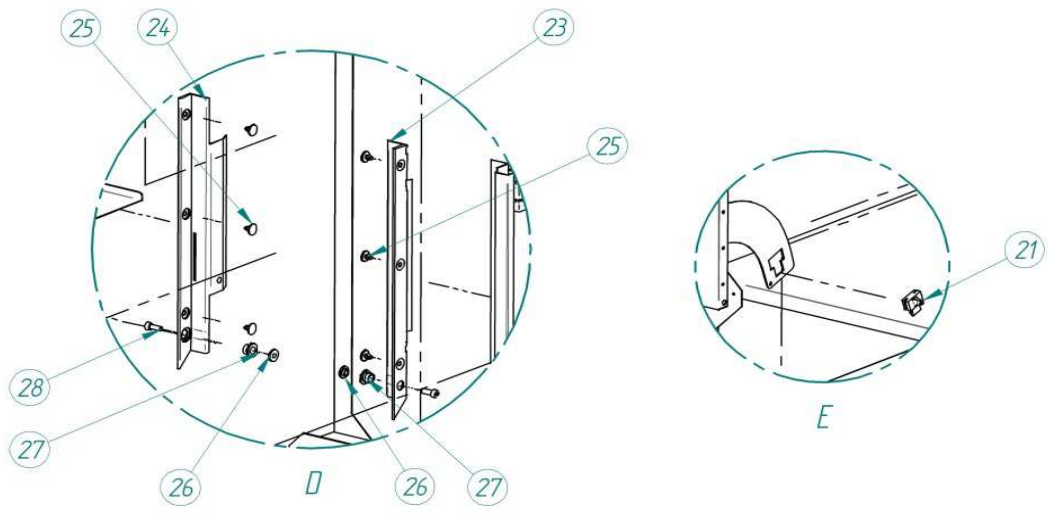
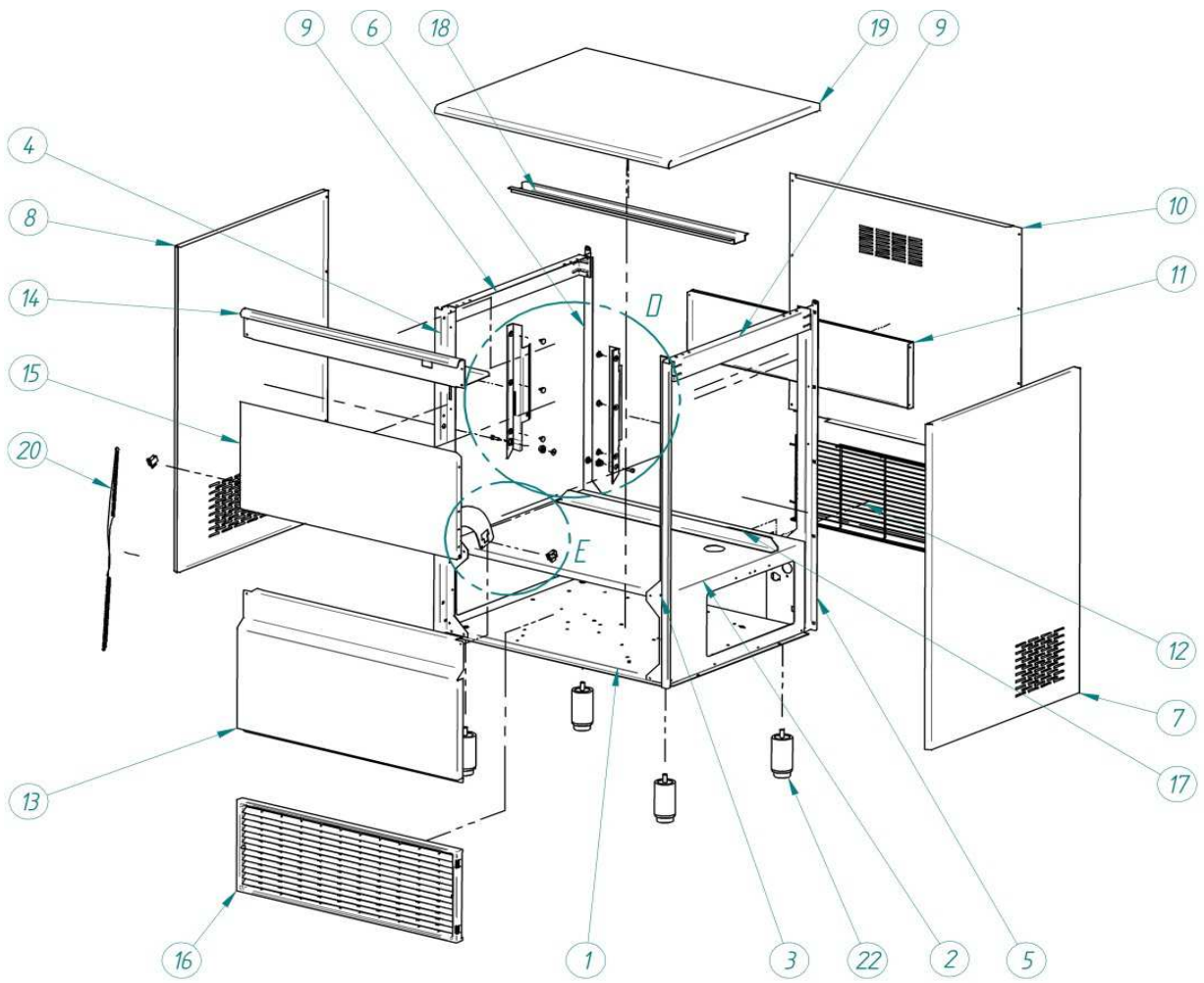
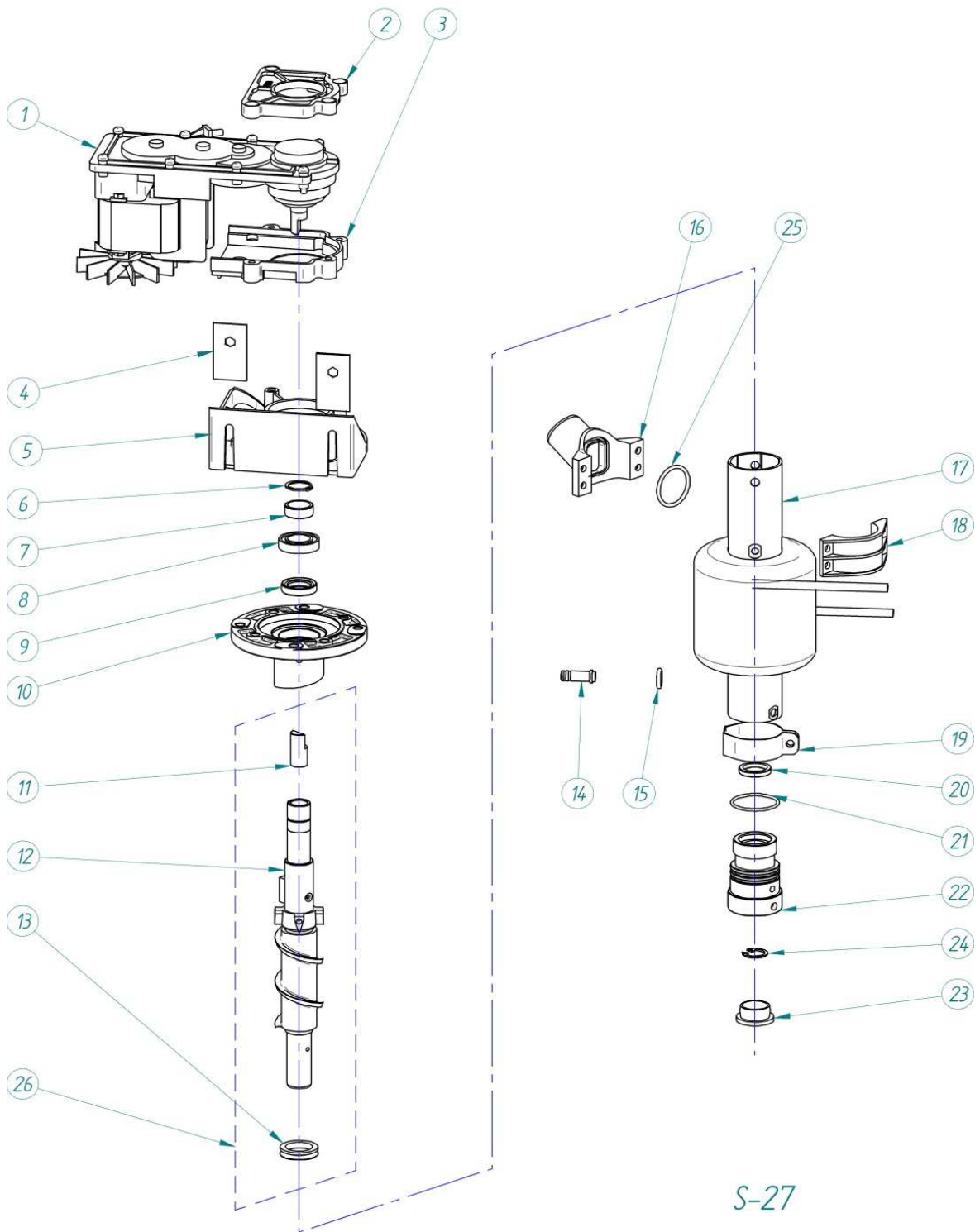


CABINET		
Nº	NAME	IQ 45
1	BASEMENT	2836
2	BRIDGE	3078
3	FRONT RIGHT COLUMN	3292
4	FRONT LEFT COLUMN	3293
5	REAR RIGHT COLUMN	3407
6	REAR LEFT COLUMN	3406
7	RIGHT PANEL	4219
8	LEFT PANEL	4220
9	BRACE	3520
		x2
10	REAR COVER	4223
11	REAR REINFORCEMENT	3528
12	REAR GRILL	2453
13	LOWER FRONT PANEL	3079
14	UPPER FRONT PANEL	3081
15	DOOR	5072
16	FRONT GRILL	4185
17	BRIDGE ANGLE	-
18	COVER REINFORCEMENT	-
19	TOP COVER	3387
20	DOOR SPRING	702
21	DOOR BUMPER	156
22	LEG	1478
23	RIGHT DOOR GUARD	82
24	LEFT DOOR GUARD	83
25	CLIP	113
26	DOOR AXE BUSH	155
27	DOOR AXE BEARING	1001
28	DOOR SCREW	392

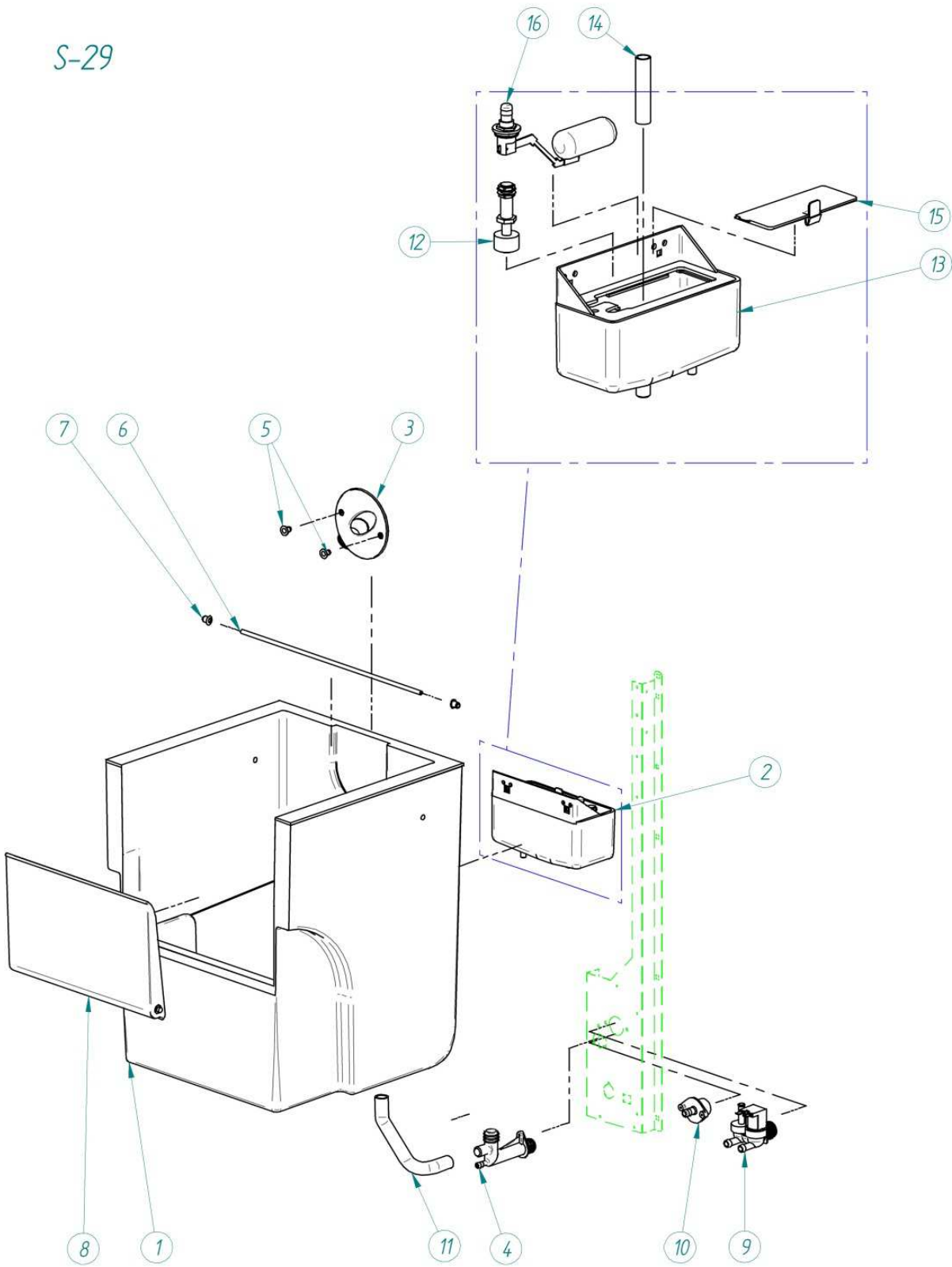


S-33



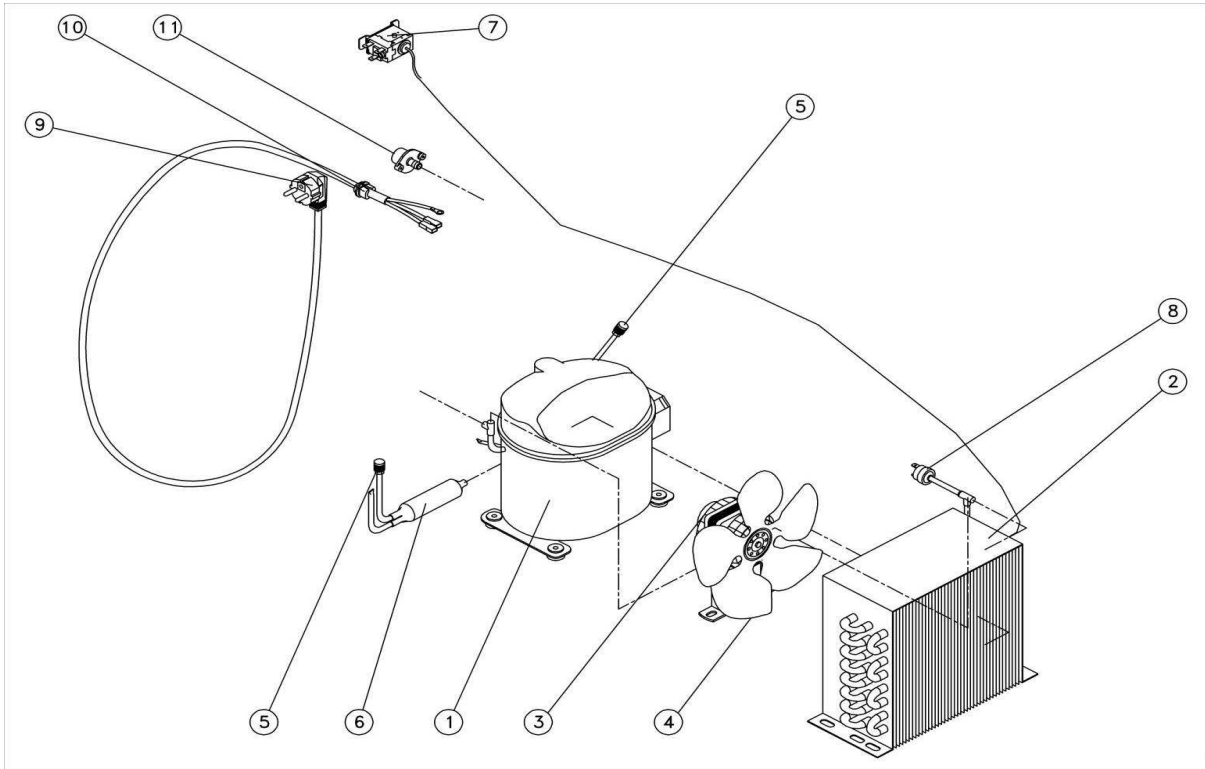
EVAPORATOR IQ 45		
	NAME	CODES
1	GEARMOTOR	4154
2	SUPERIOR SUPPORT	4180
3	LOWER BRACKET	4181
4	PLATE NUT	4619 + 2432
5	EVAPORATO SUPPORT	4182
6	RETAINING RING	1867
7	UPPER BUSHING	1939
8	BEARING	1436
9	BEARING	1535
10	BRIDLE / PLATE	109
11	BEARING	4308
12	AUGER	1924
13	V-RING	80
14	WATER INLET	1005
15	JOINT	1006
16	EVAPORATOR OPENING	1007
17	EVAPORATOR	7412
18	EVAP FLANGE	1008
19	BRIDLE	211
20	RETEN	75
21	JOINT	86
22	LOWER BEARING	97
23	STOPPER	92
24	RING	1390
25	JOINT	1391
26	SET AUGER	6033
*****	SET EVAPORATOR	6034

S-29



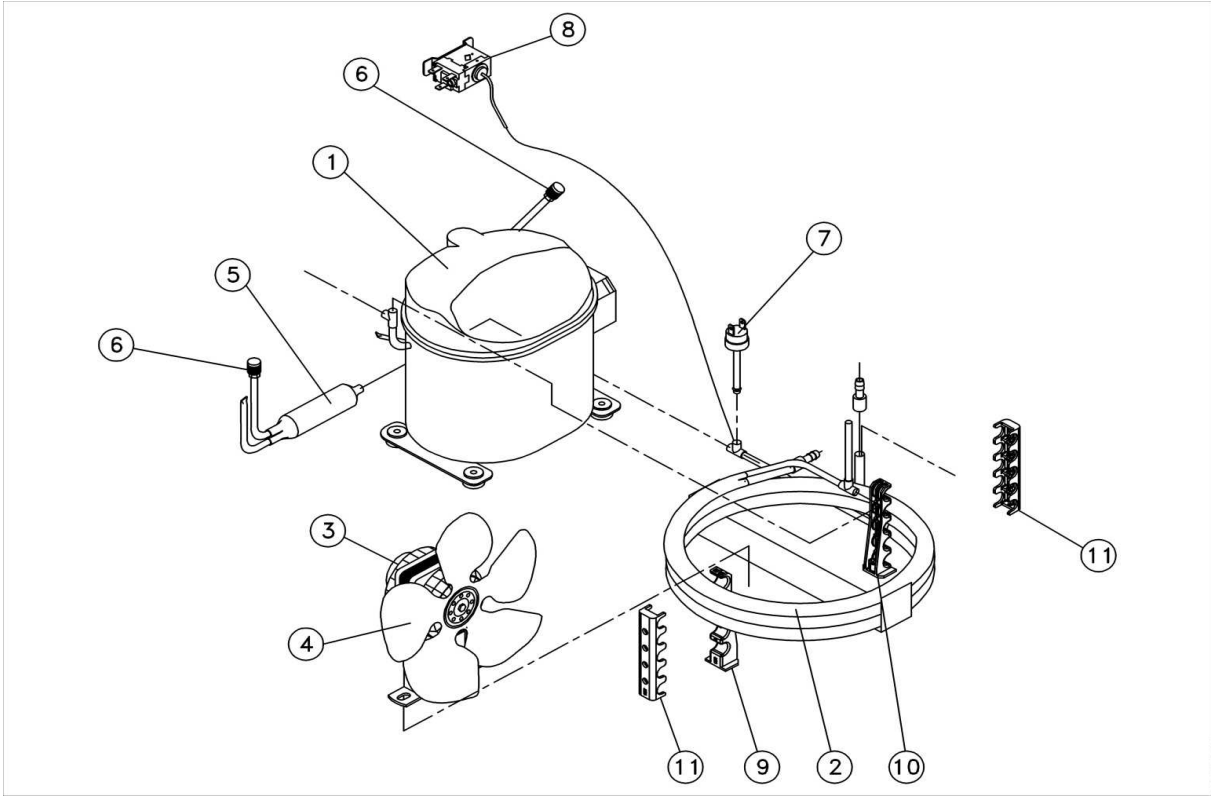
ICE QUEEN 45C

	WATER BIN	
	NAME	IQ45
		CODES
1	STOCK BIN	7238
2	WATER BIN	5231
3	MOUTH CUVE	6035
4	DRAIN	363
5	SCREW	113
6	THERMOSTAT TUBE	5855
7	JOINT	666
8	SWING DOOR	4183
9	WATER VALV	1910
	115/60HZ	4896
10	WATER INLET	1005
11	WATER TUBE	1724
12	UPPER LEVEL LEAD	5423
13	WATER BIN	6036
14	TUBE	2505
15	TOP COVER	1968
16	WATER FLOAT	5340



ICE QUEEN 45C

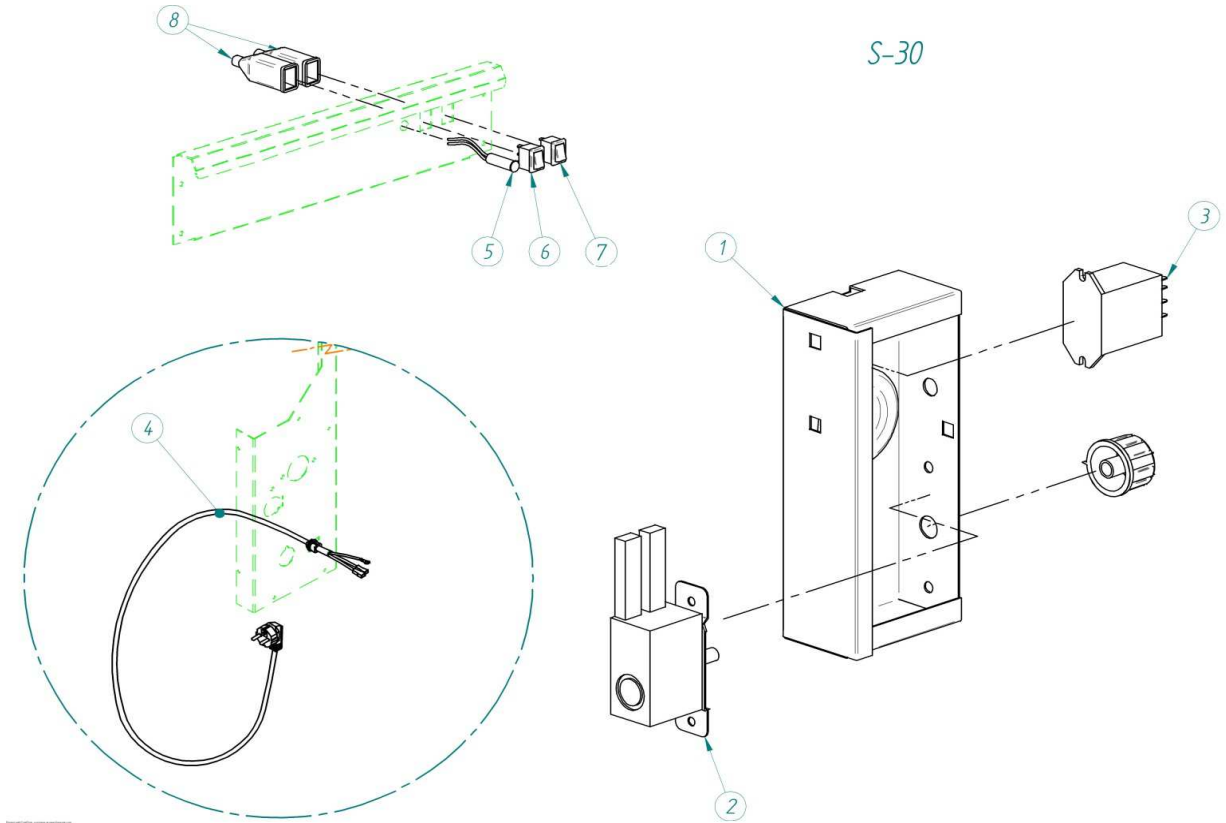
	UNIT CONDENSER. AIR	
	NAME	IQ 45 CODES
1	COMPRESSOR	220/50HZ 2292
		115/60HZ 2428
2	AIR CONDENSER	2423
3	FAN	2170
		115/60HZ 2163
4	FAN BRACKET	587
5	VALV	335
6	DRIER	449
7	CONDENSING PRESOST	2293
8	SAFETY PRESOSTAT	2299
9	SHUCKO PLUG	408
10	RETENEDOR	4907
11	VALV ENTRADA AGUA	1689



ICE QUEEN 45C

UNIT CONDENSER. W			
		NAME	IQ 45
			CODES
1	COMPRESSOR	220/50HZ	2292
		115/60HZ	2428
2	WATER CONDENSER		5020
3	FAN	220/50HZ	2170
		115/60HZ	-
4	FAN BLADES		4040
5	DRIER		449
6	VALV		335
7	SAFETY PRESOSTAT		2299
8	CONDENSING PRESOST		2293
9	TOP SUPPORT		4036
10	BOTTOM SUPPORT		4037
11	EXTERIOR SUPPORT		4038

S-30



ELECTRIC BOARD IQ45		
	NAME	CODES
1	ELECTRIC BOARD	4225
2	STOCK THERMOSTAT	274
3	RELE	1483
4	SHUCKO PLUG	
	230/50hz	408
	208-230/60hz	3675
	115/60hz	2771
5	LED	4280
6	BLACK SWITCH	4278
7	RED SWITCH	4279
8	COVER	4277