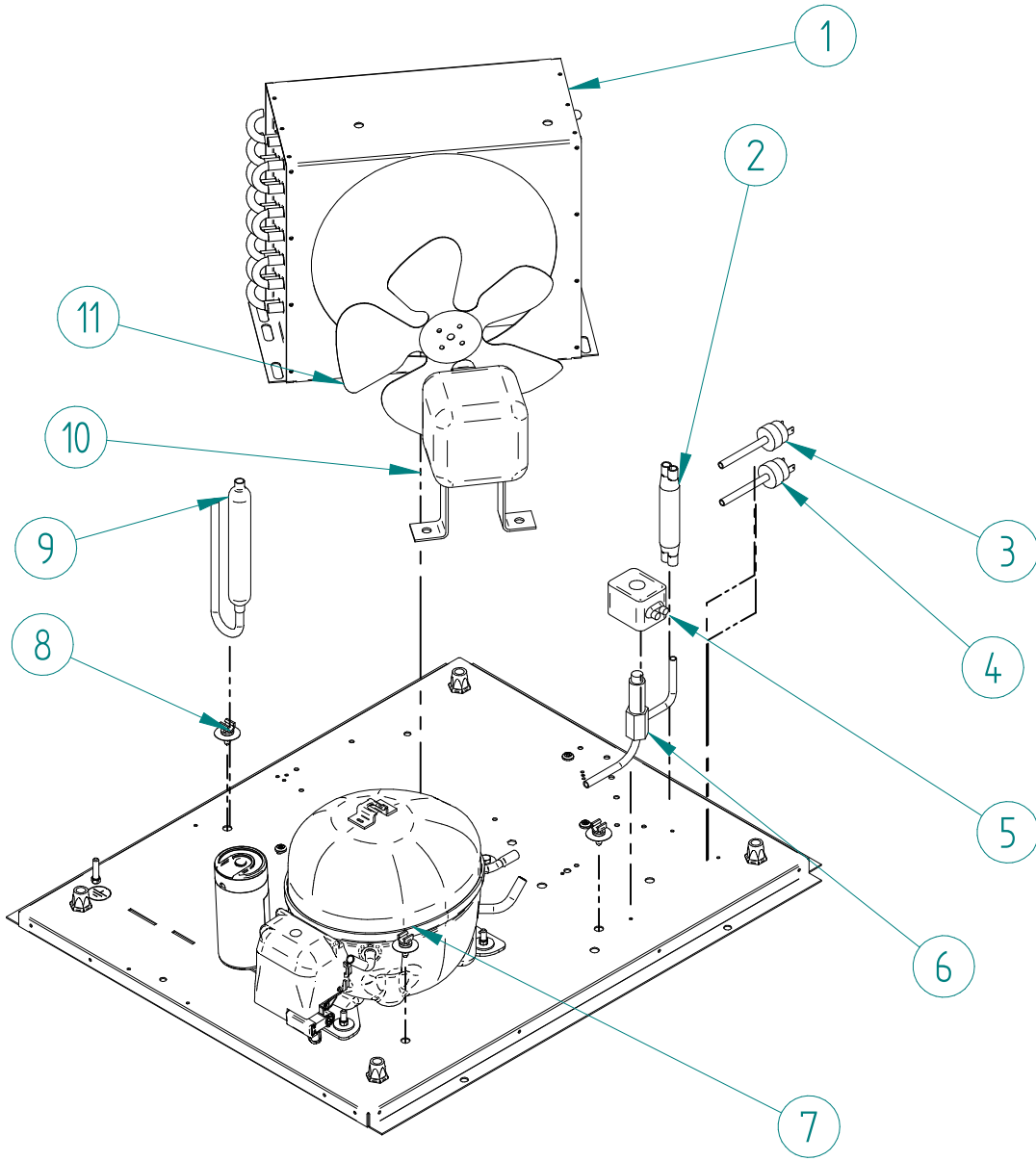


ITV
ICE makers

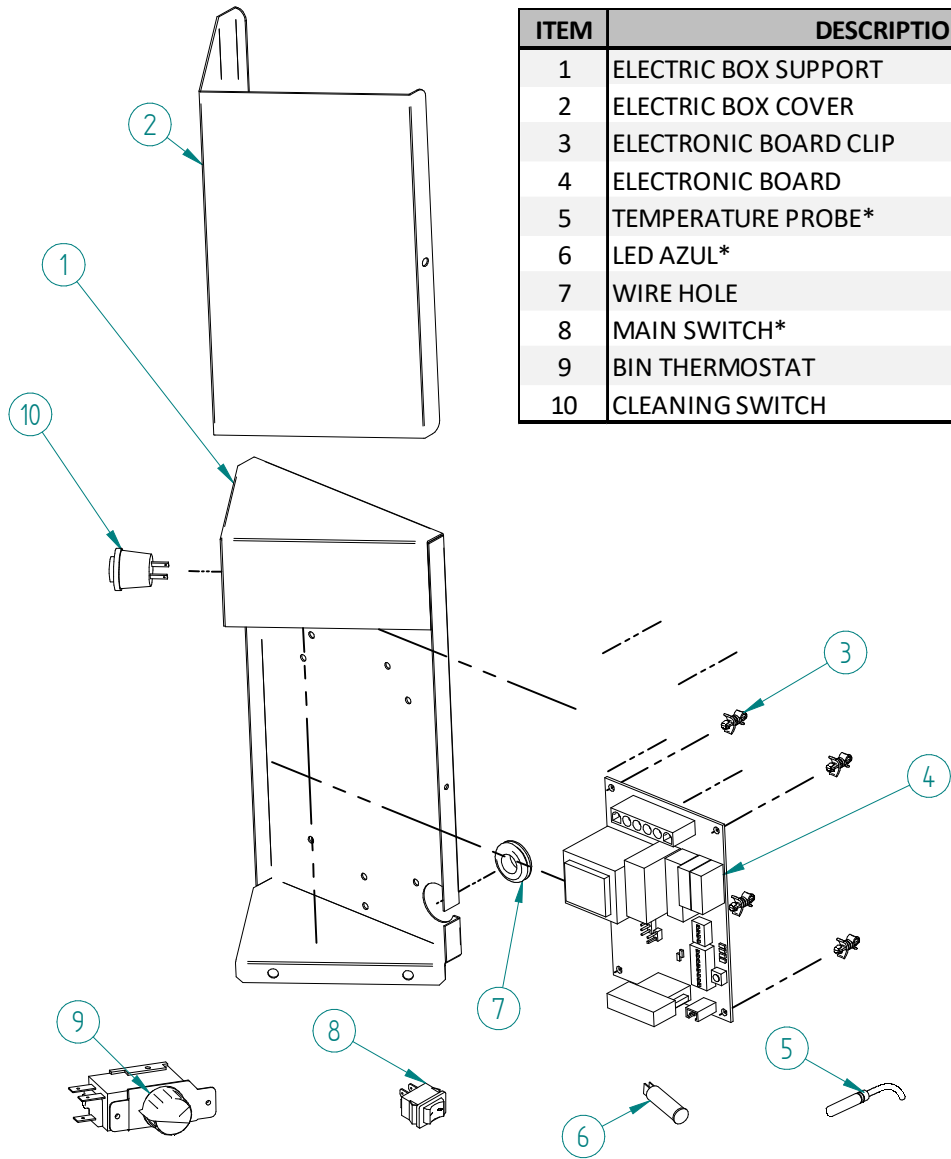


DESPIECE / REPUESTOS
EXPLODED VIEW / SPARE PARTS
EXPLOSIONSZEICHNUNG / ERSATZTEILE
VUE ÉCLATÉE / PIÈCES DÉTACHÉES
ESPLOSO / RICAMBI



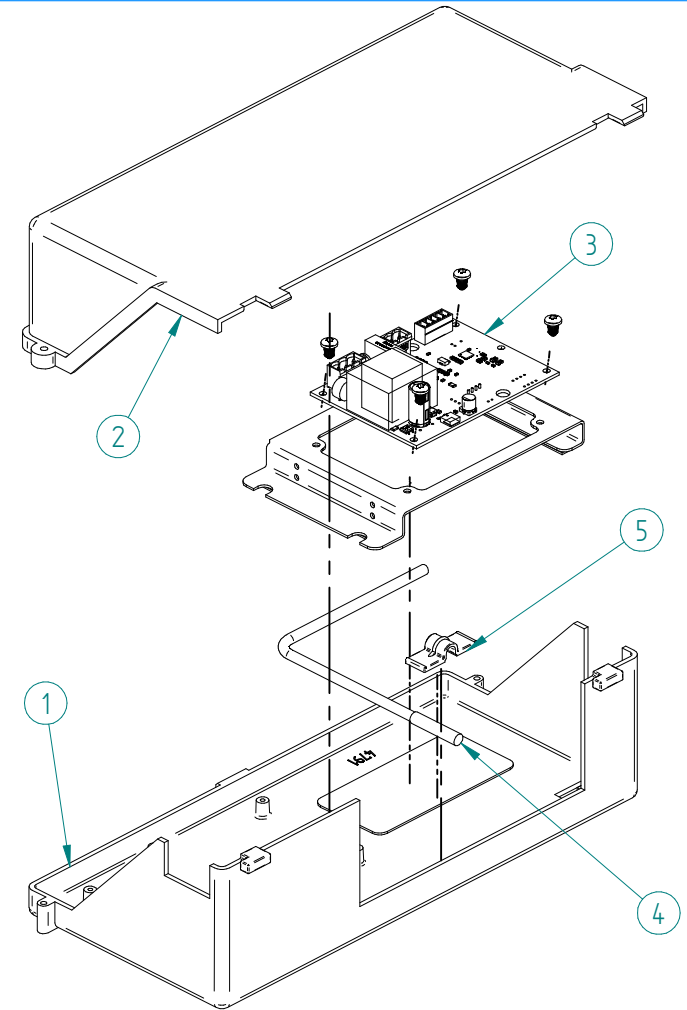
ITEM	DESCRIPTION	NG45
1	AIR CONDENSER	486A
2	PRESSURE SWITCH COLLECTOR	31444
3	FAN CONTROL PRESSURE SWITCH	31160E
4	HIGH PRESSURE SWITCH	31660E
5	HOT GAS VALVE - COIL	5173
6	HOT GAS VALVE - BODY	1473
7	COMPRESSOR*	33303
8	CLIP TUBE	3533
9	FILTER DRIER	7896
10	FAN MOTOR	28
11	FAN BLADE	4887

***SERIAL NUMBER REQUIRED**

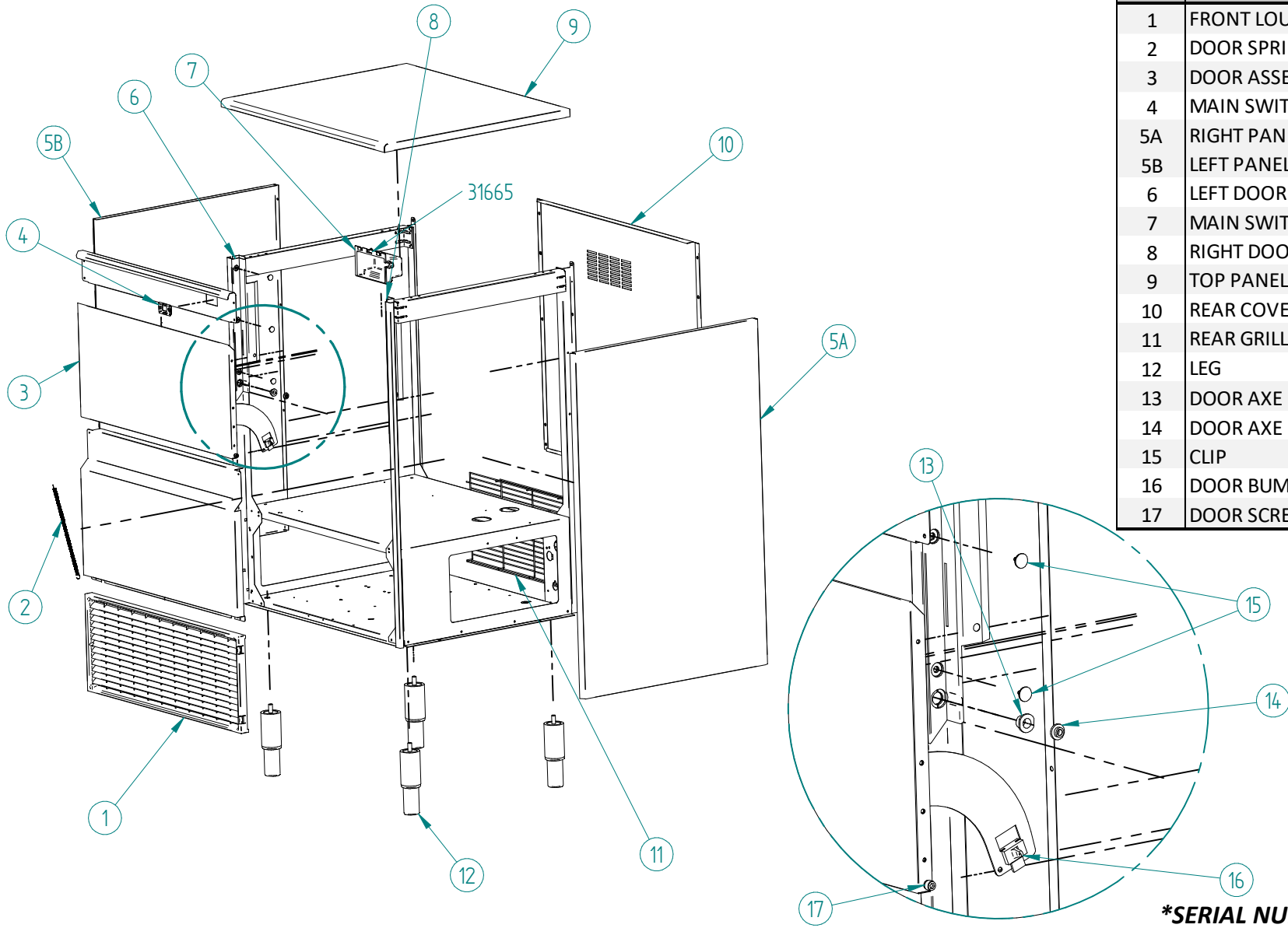


ITEM	DESCRIPTION	NG45
1	ELECTRIC BOX SUPPORT	31570A
2	ELECTRIC BOX COVER	31571A
3	ELECTRONIC BOARD CLIP	8143A
4	ELECTRONIC BOARD	31544
5	TEMPERATURE PROBE*	32644
6	LED AZUL*	32415
7	WIRE HOLE	31746
8	MAIN SWITCH*	32416
9	BIN THERMOSTAT	31758
10	CLEANING SWITCH	31719

***SERIAL NUMBER REQUIRED**

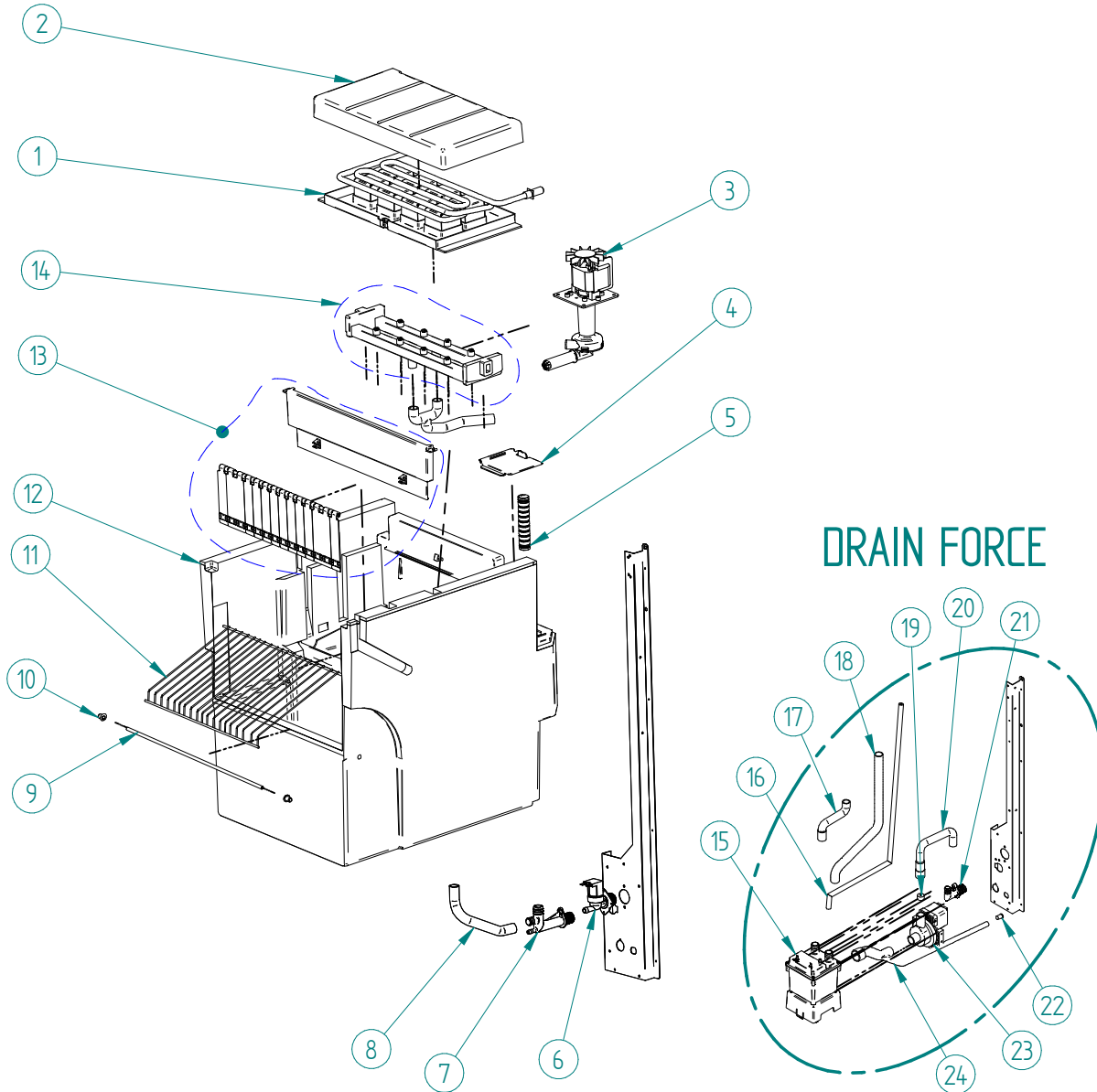


ITEM	DESCRIPTION	NG45
1	ELECTRIC BOX SUPPORT	35164K
2	ELECTRIC BOX COVER	4790
3	ELECTRONIC BOARD	34994
4	SENSOR	6178
5	SENSOR SUPPORT	34795



ITEM	DESCRIPCION	NG45
1	FRONT LOUVER	4063
2	DOOR SPRING	702
3	DOOR ASSEMBLY	32521
4	MAIN SWITCH SUPPORT	32441
5A	RIGHT PANEL*	489UA
5B	LEFT PANEL*	
6	LEFT DOOR GUARD	83
7	MAIN SWITCH BOX	/
8	RIGHT DOOR GUARD	82
9	TOP PANEL	920A
10	REAR COVER*	635A
11	REAR GRILL	1728
12	LEG	1478K
13	DOOR AXE BEARING	1001
14	DOOR AXE BUSHING	155
15	CLIP	113
16	DOOR BUMPER	156
17	DOOR SCREW	392

***SERIAL NUMBER REQUIRED**



ITEM	DESCRIPTION	NG45
1	EVAPORATOR	34987
2	EVAPORATOR COVER	4433A
3	WATER PUMP*	220/50Hz 5563
4	SPRAY BAR	1938
5	OVERFLOW PIPE	4426K (KIT)
6	INLET WATER VALVE*	220/50Hz 6980 + 1028
7	WATER BIN COVER	363
8	OVERFLOW PIPE	2222
9	THERMOSTAT TUBE	5913
10	THERMOSTAT JOINT	666
11	DRAIN TUBE	35444
12	BIN	7452
13	CURTAIN ASSEMBLY	5900COK
14	SPRAY BAR	34967AK
DESAGÜE FORZADO		NG45
15	DRAIN FORCE BUCKET SET	32571
16	VENT TUBE	1719
17	DRAIN FORCE TUBE DISCHARGE BIN	32456
18	DRAIN FORCE TUBE DISCHARGE WATER BIN	32453
19	PLUG	614
20	PUMP OUT DRAIN FORCE TUBE	32457
21	DRAIN FORCE FITTING	30850
22	CHECK VALVE RX3/4	32451
23	DRAIN FORCE PUMP*	220/50Hz 32624
24	DRAIN FORCE PUMP SUCTION TUBE	32455