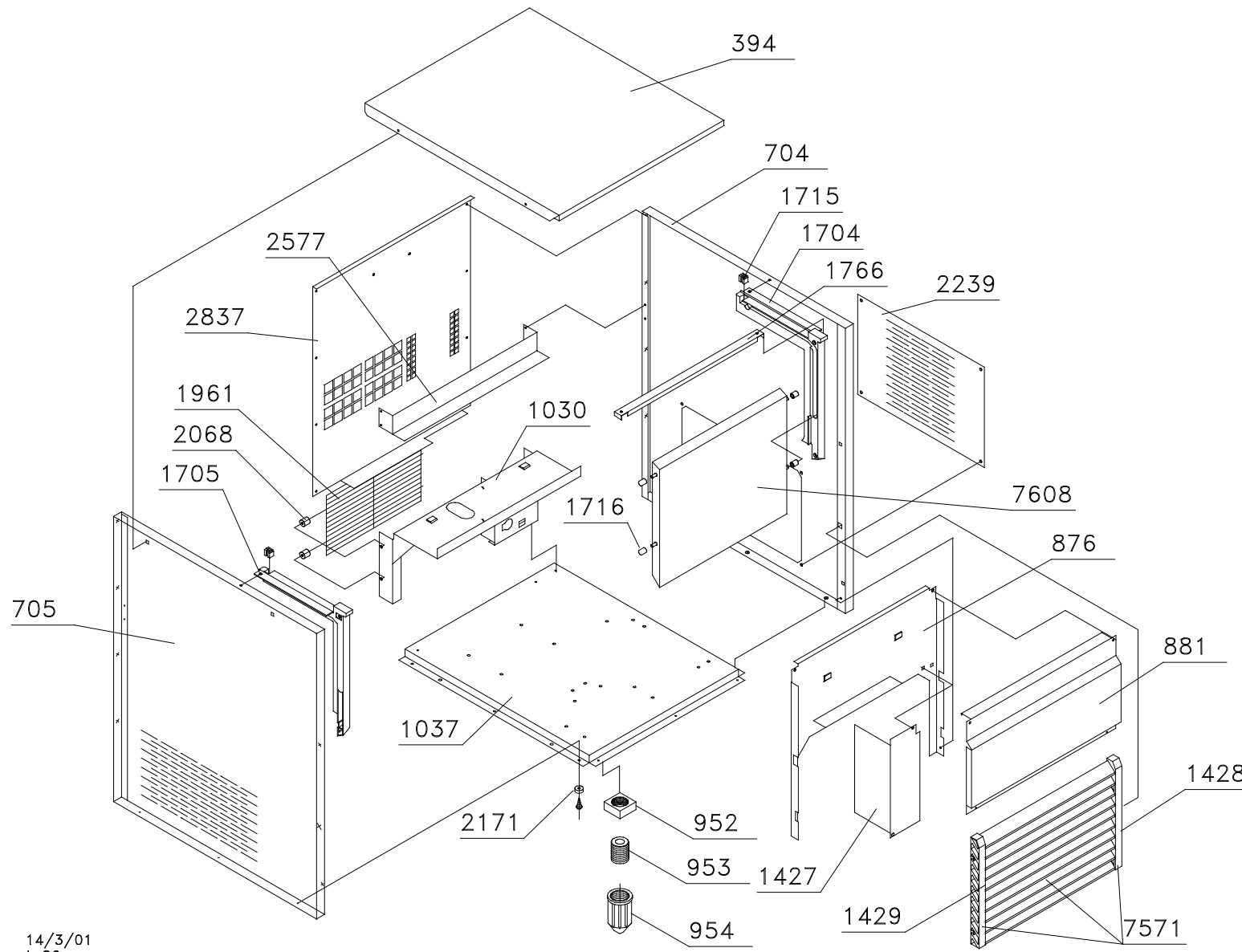


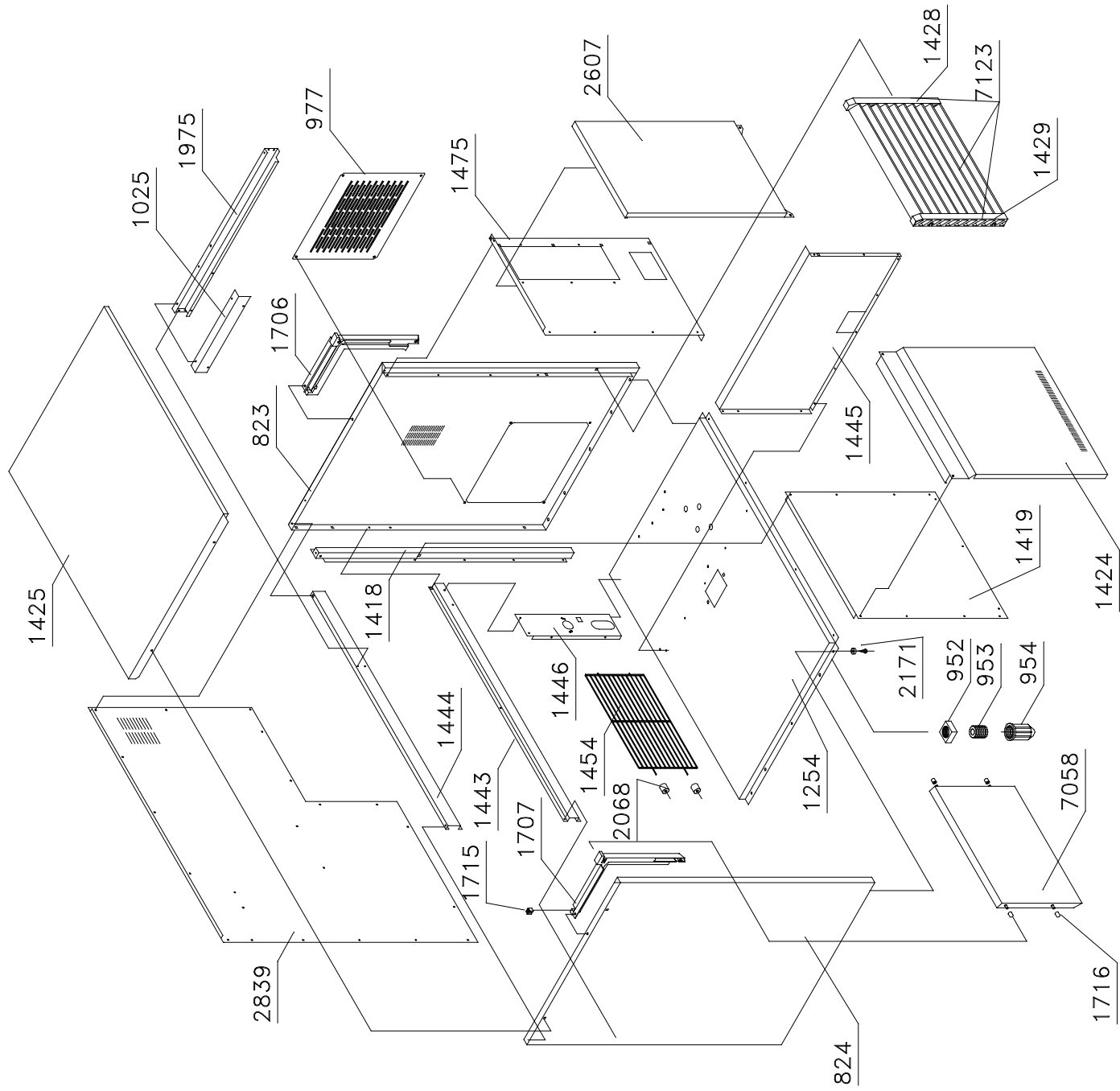
SPIKA 33
CABINET

14/3/01
I-74



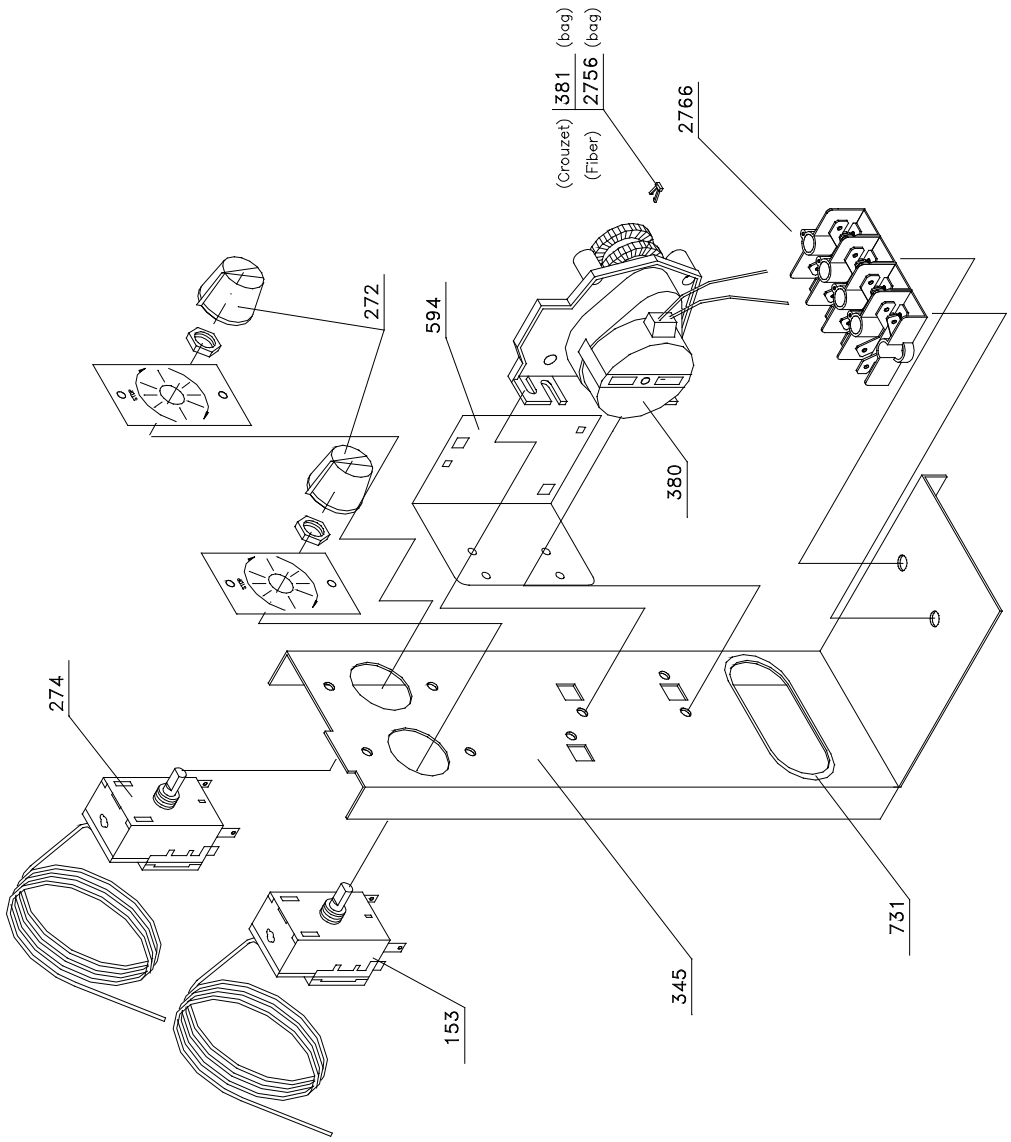
SPIKA 55
CABINET

14/3/01
I-86



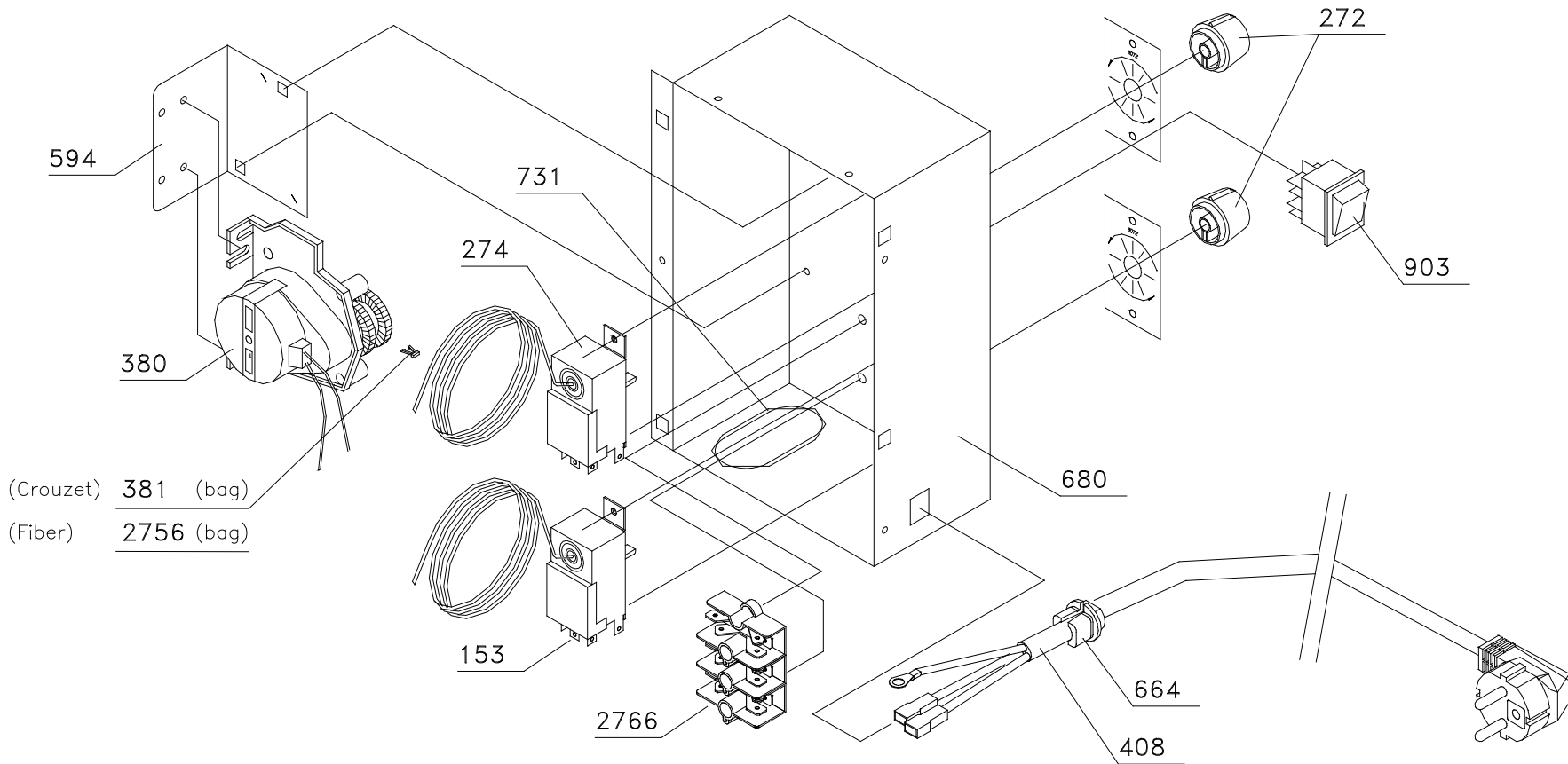
SPIKA 111

CABINET



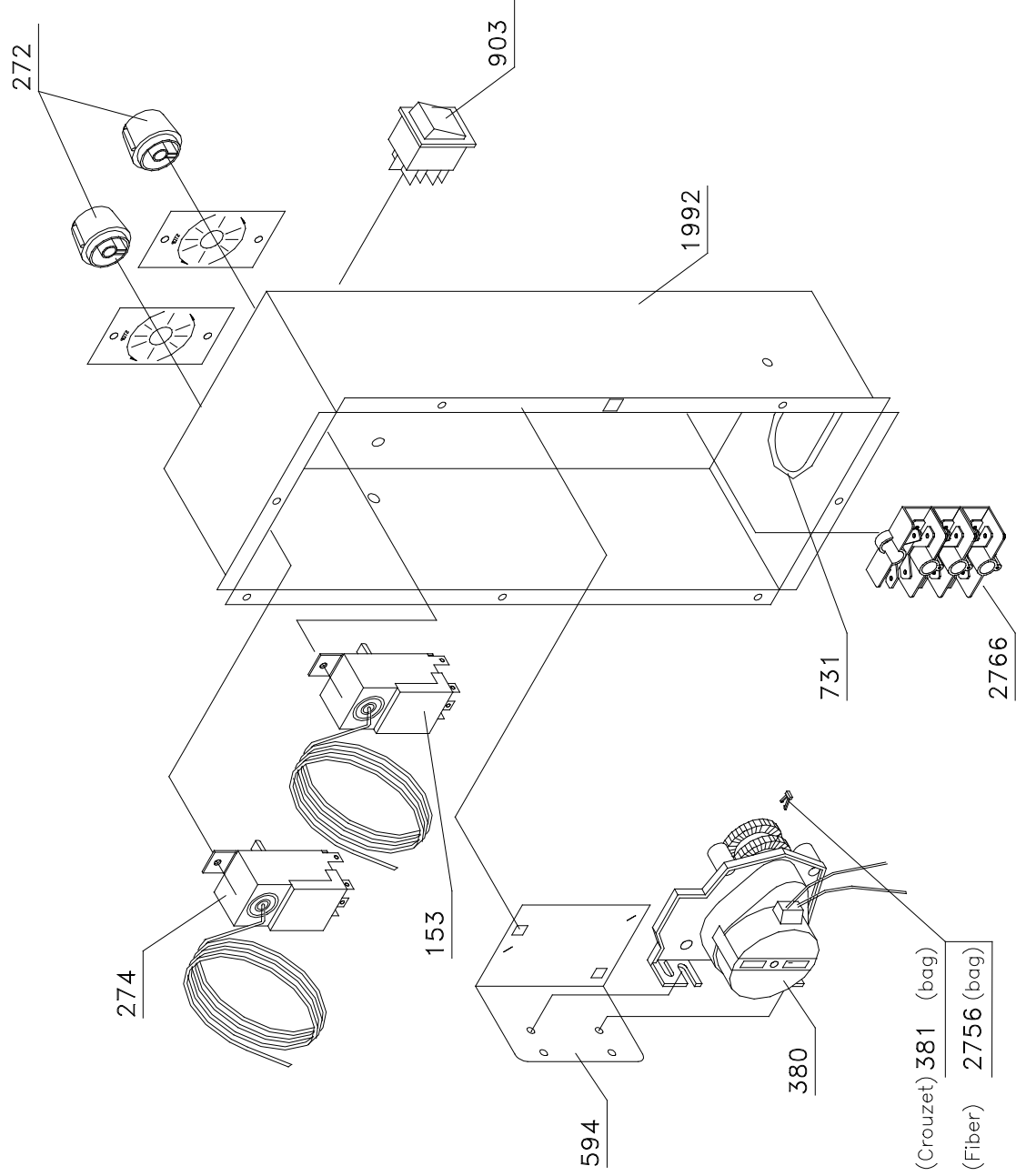
SPIKA 55

ELECTRIC BOARD



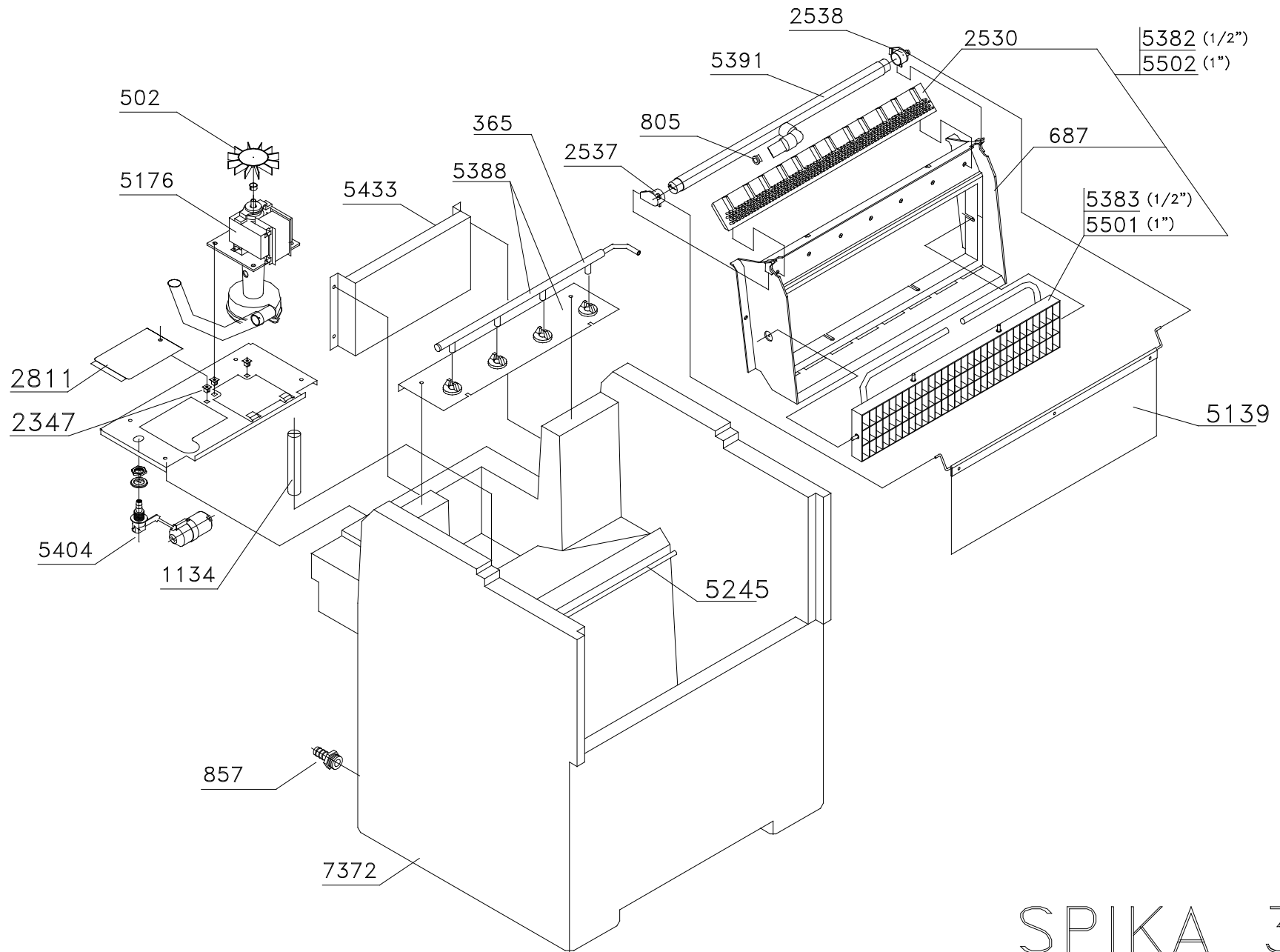
SPIKA 33

ELECTRIC BOARD

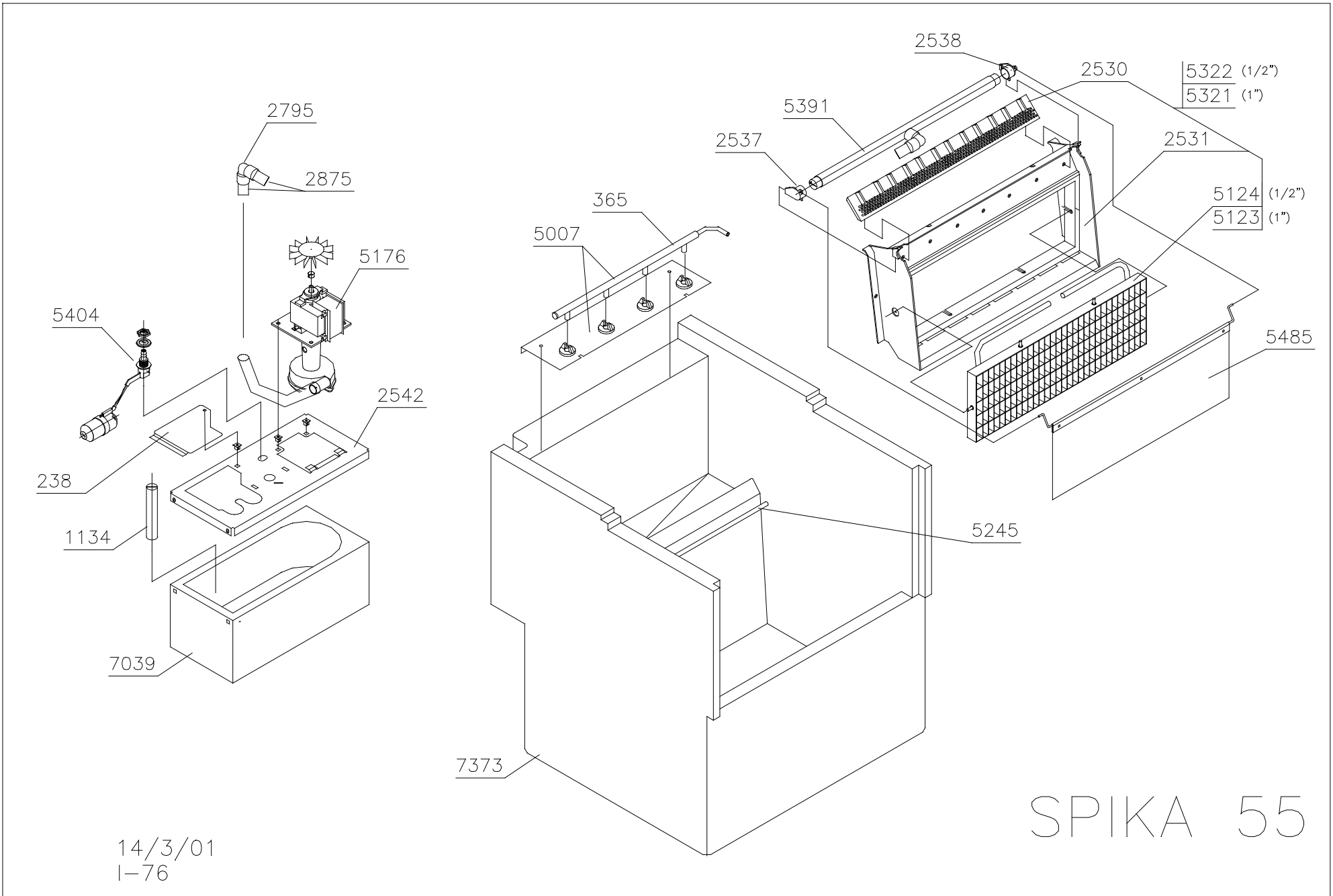


SPIKA 111

ELECTRIC BOARD

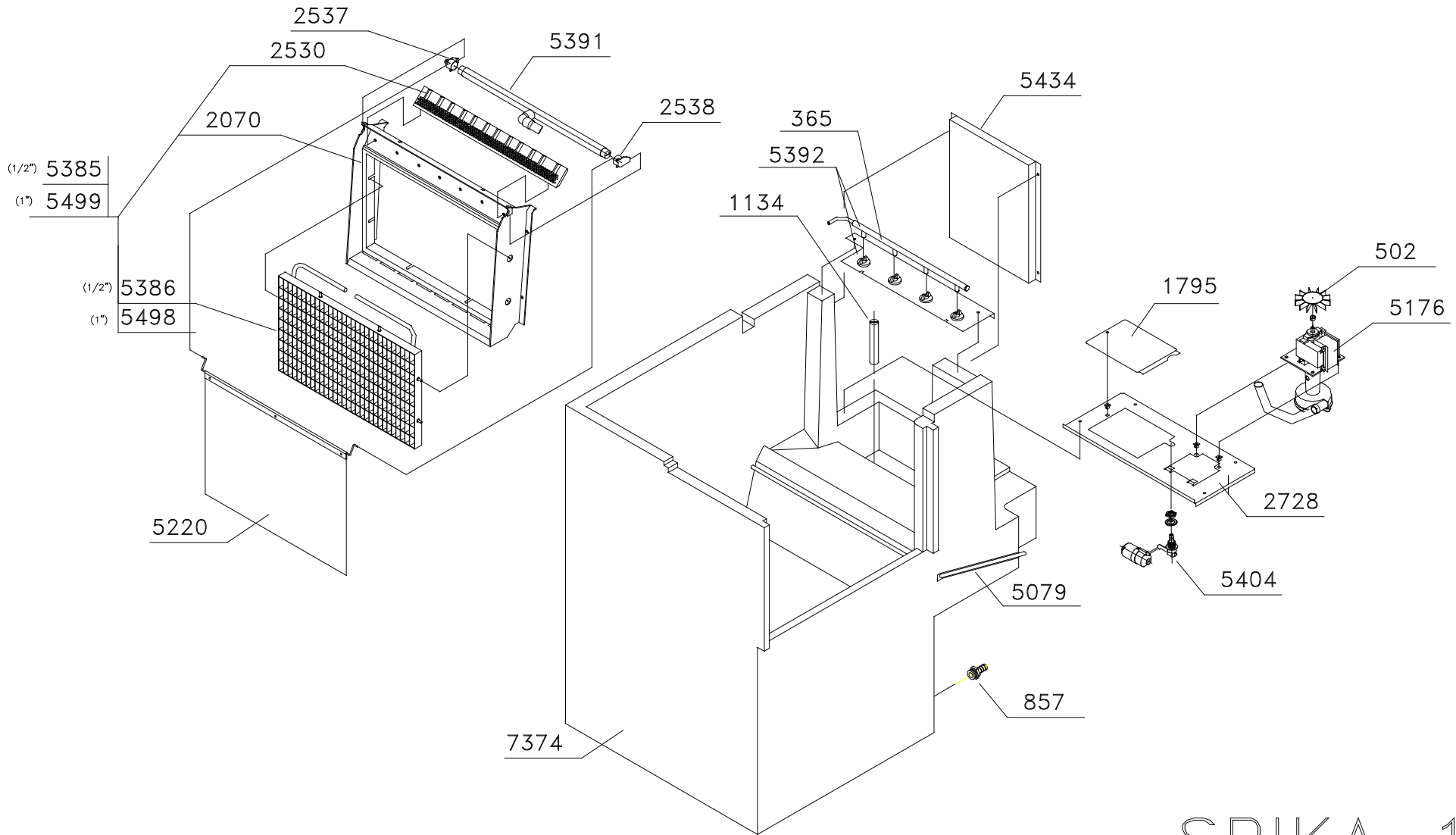


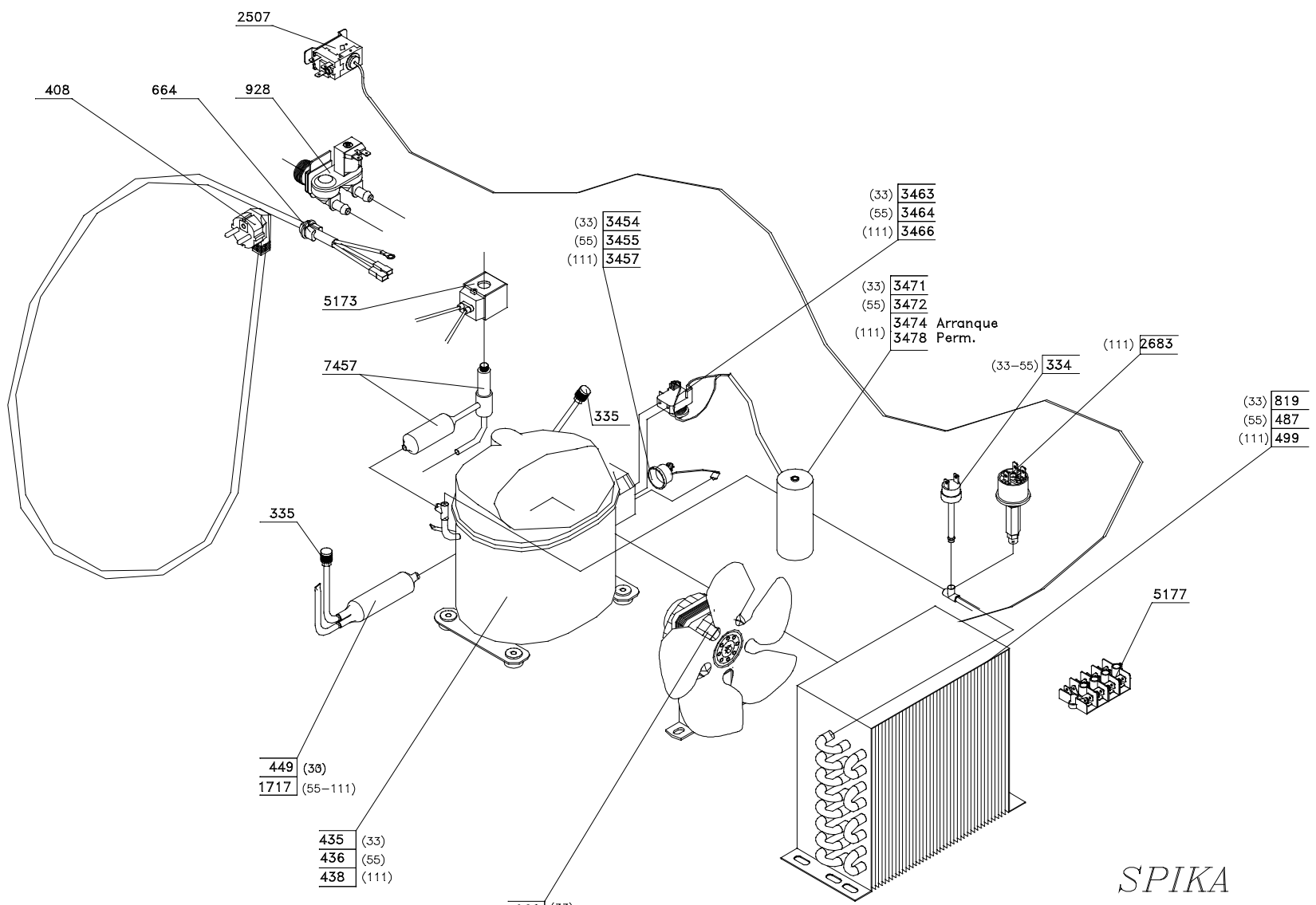
SPIKA 33



14/3/01
I-76

SPIKA 55



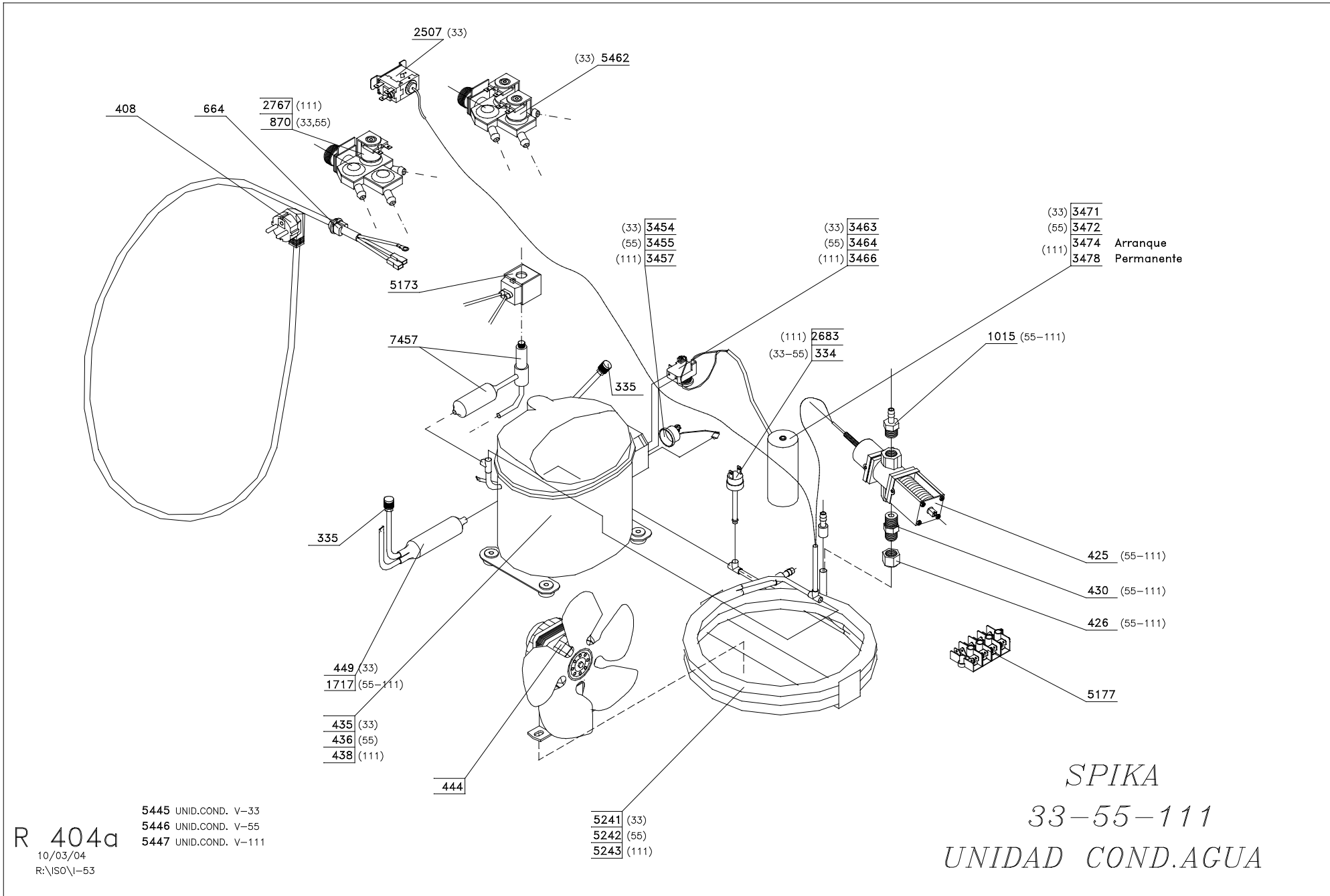


R-404a

5490 UNID.COND. V-33
 5428 UNID.COND. V-55
 5450 UNID.COND. V-111

10/03/04
 R:\ISO\I-52

SPIKA
 33-55-111
 UNIDAD COND.AIRE



R 404a

10/03/04
R:\ISO\I-53

5445 UNID.COND. V-33
5446 UNID.COND. V-55
5447 UNID.COND. V-111

SPIKA
33-55-111
UNIDAD COND.AGUA