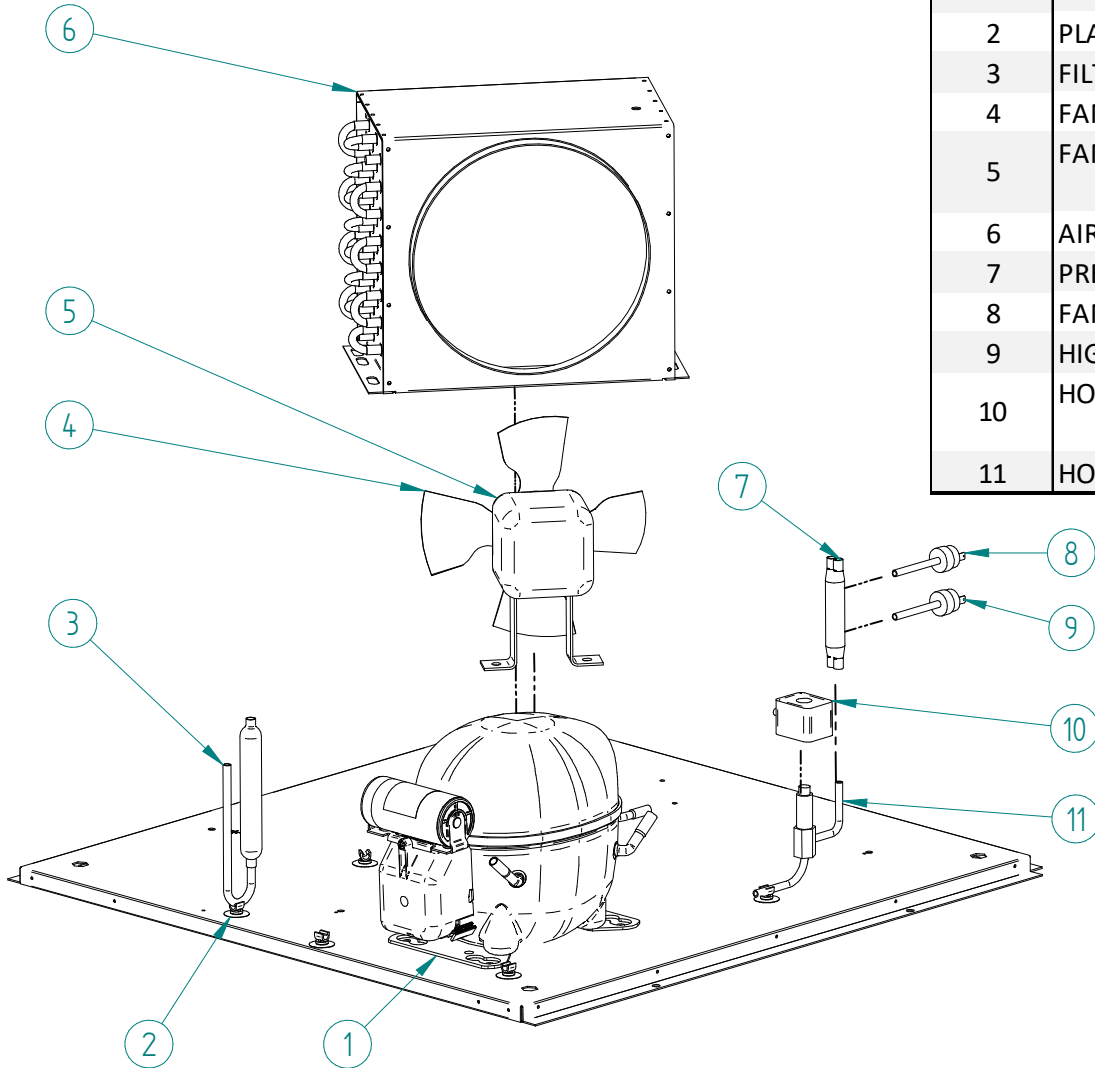
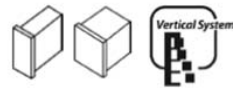


SPIKA NG R290

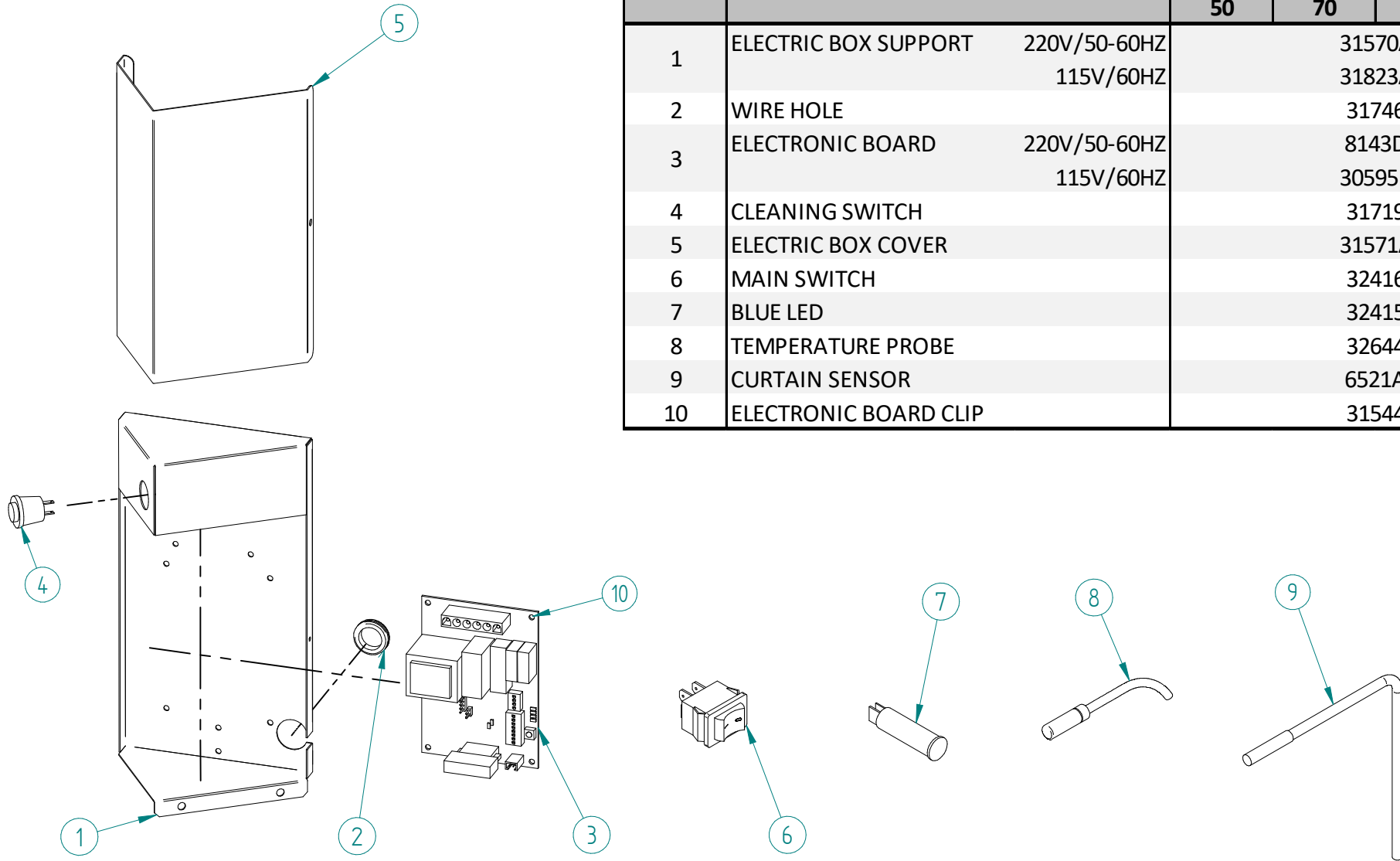
ITV
ICE makers



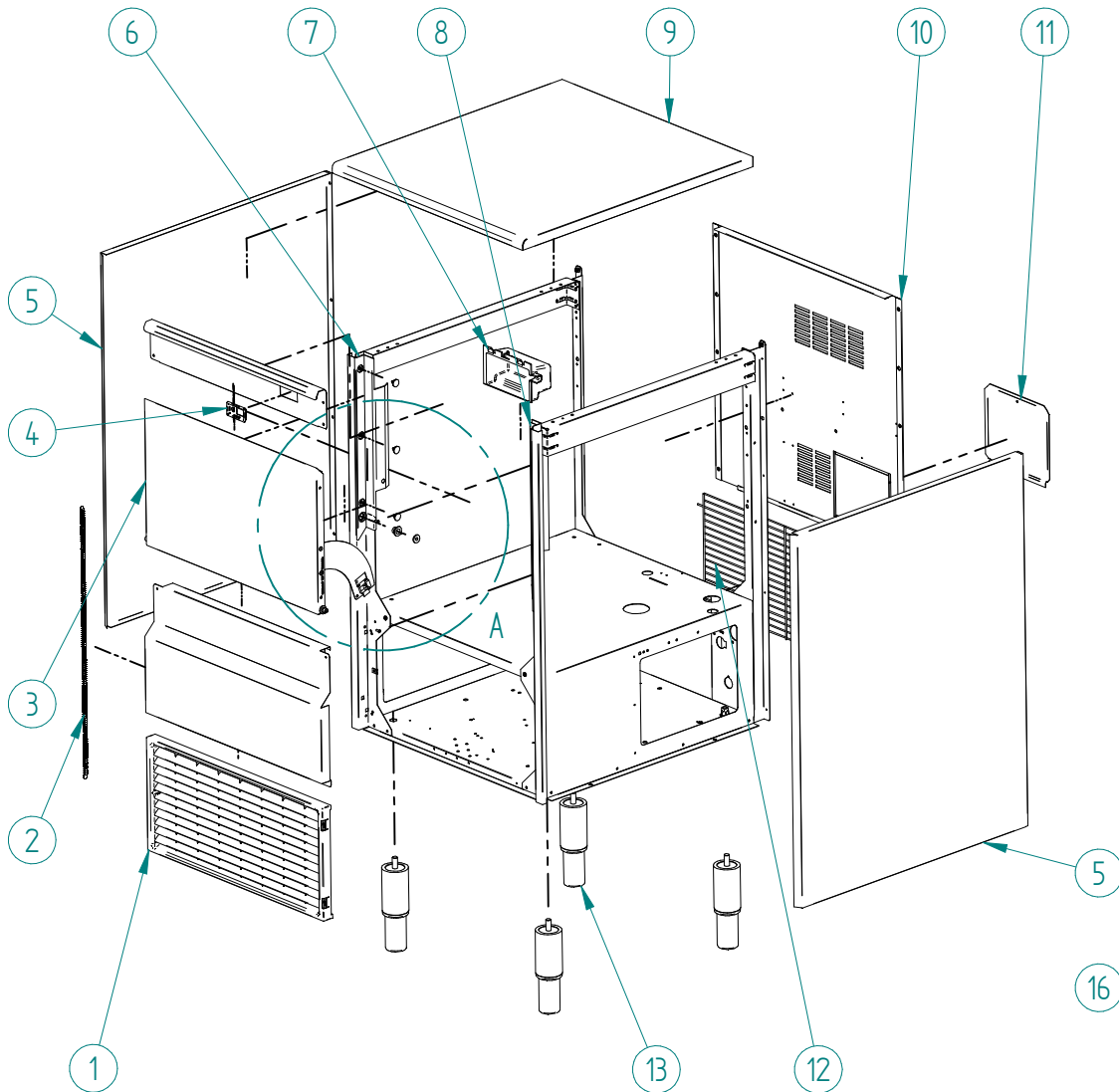
DESPIECE / REPUESTOS
EXPLODED VIEW / SPARE PARTS
EXPLOSIONSZEICHNUNG / ERSATZTEILE
VUE ÉCLATÉE / PIÈCES DÉTACHÉES
ESPLOSO / RICAMBI



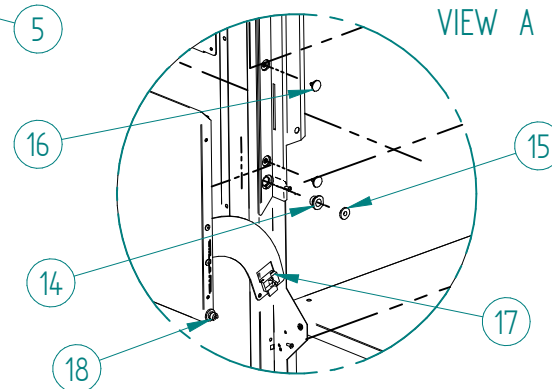
ITEM	DESCRIPTION	SPIKA NG R290			
		50	70	100	150
1	COMPRESSOR 220V/50HZ 220V/60HZ 115V/60HZ	31300	31302	31303	31306
			N/A		32761
		31450	31451	31452	31454
2	PLASTIC CLIP 1/4"		3533		
3	FILTER DRIER		7896		
4	FAN BLADE		4887		
5	FAN MOTOR 220V/50-60HZ 115V/60HZ		28		
			4890		
6	AIR CONDENSER	486		487	32251
7	PRESSURE SWITCH COLLECTOR		31444		
8	FAN CONTROL PRESSURE SWITCH		31160E		
9	HIGH PRESSURE SWITCH		31660E		
10	HOT GAS VALVE - COIL 220V/50-60HZ 115V/60HZ		5173		
			5414		
11	HOT GAS VALVE - BODY	1468		1473	

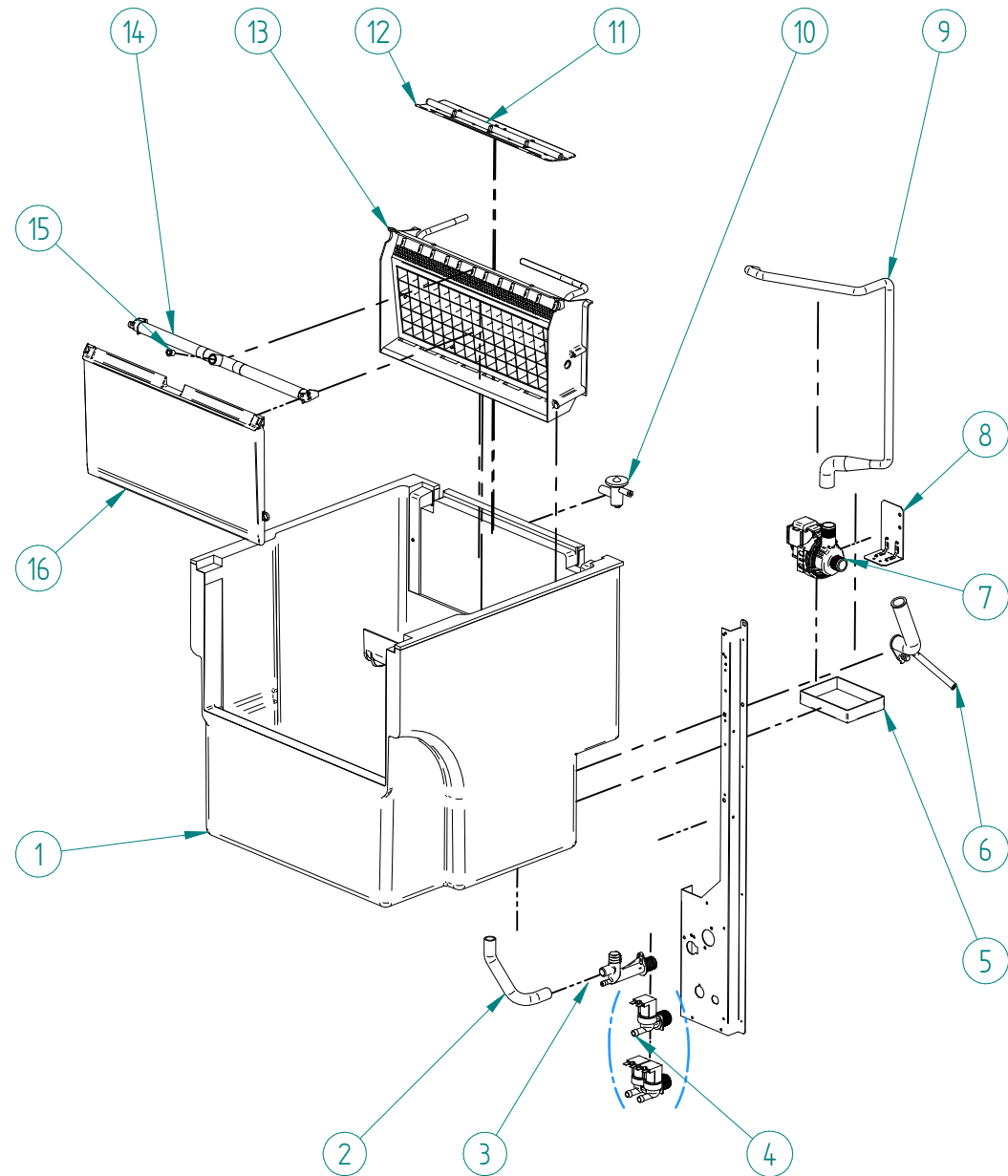


ITEM	DESCRIPTION	SPIKA NG R290			
		50	70	100	150
1	ELECTRIC BOX SUPPORT 220V/50-60HZ 115V/60HZ		31570A		
2	WIRE HOLE		31746		
3	ELECTRONIC BOARD 220V/50-60HZ 115V/60HZ		8143D		
4	CLEANING SWITCH		31719		
5	ELECTRIC BOX COVER		31571A		
6	MAIN SWITCH		32416		
7	BLUE LED		32415		
8	TEMPERATURE PROBE		32644		
9	CURTAIN SENSOR		6521A		
10	ELECTRONIC BOARD CLIP		31544		

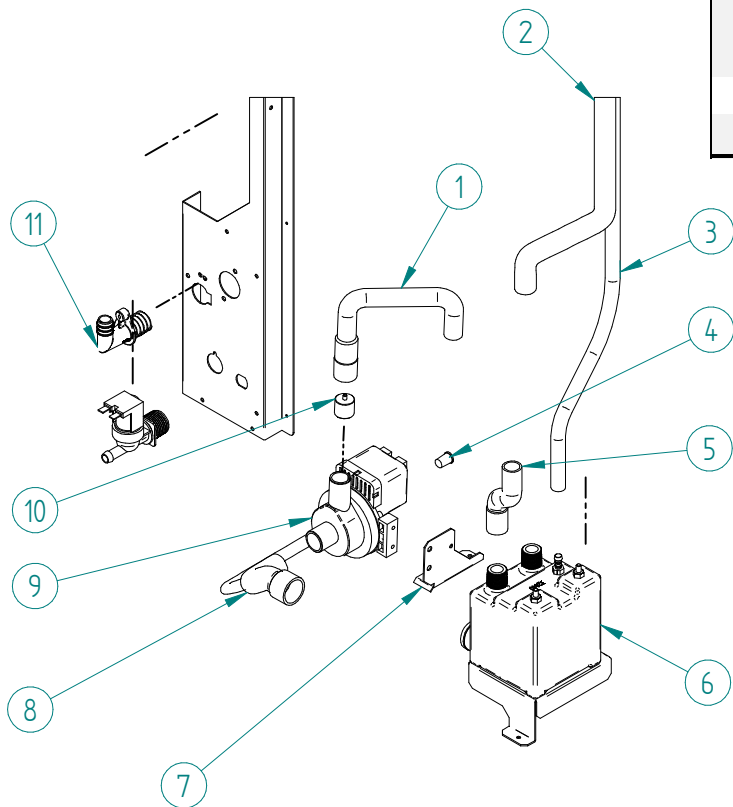
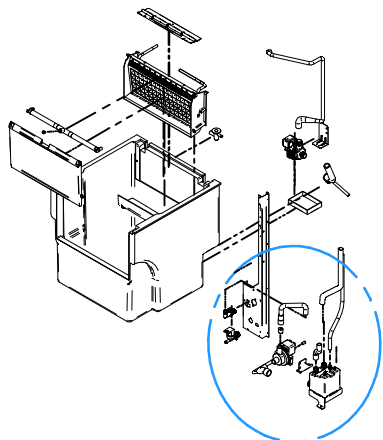


ITEM	DESCRIPTION	SPIKA NG R290			
		50	70	100	150
1	FRONT LOUVER	4186			4188
2	DOOR SPRING	702			
3	DOOR ASSEMBLY	5791	6295	6296	
4	MAIN SWITCH SUPPORT	32441			
5A	RIGHT PANEL	489UA	6285	6287	
5B	LEFT PANEL		6286	6288	
6	LEFT DOOR GUARD	83			
7	MAIN SWITCH BOX	31665			
8	RIGHT DOOR GUARD	82			
9	TOP PANEL	4170A	6283A	6284A	
10	REAR COVER	4172A	6300	6301	
11	COVER PUMP	6306			
12	REAR GRILL	4088	6209	2192	
13	LEG	1478			
14	DOOR AXE BEARING	1001			
15	DOOR AXE BUSHING	155			
16	CLIP	113			
17	DOOR BUMPER	156			
18	DOOR SCREW	392			





ITEM	DESCRIPTION	SPIKA NG R290			
		50	70	100	150
1	BIN	6245U	6246U	6247A	
2	DRAIN TUBE		2222		
3	DRAIN FITTING		363		
4	INLET WATER VALVE	220V/50HZ	329		
		220V/60HZ	N/A		4897
		115V/60HZ	2783		
5	WATER PUMP TRAY		4521		
6	WATER PUMP SUCTION TUBE		4961		
7	WATER PUMP	220V/50HZ		4769	
		115V/60HZ		31982	
8	PUMP SUPPORT	220V/50HZ		4956	
		115V/60HZ		32022	
9	WATER PUMP DISCHARGE TUBE	6126		6128	
10	EXPANSION VALVE	31521		31523	31524
11	WATER INLET TUBE	6462		N/A	
12	WATER INLET SUPPORT	6099		N/A	
13	EVAPORATOR FULL DICE ASSY		6224	6230	6236
			6227	6233	6239
14	FRONT WATER DISTRIBUTOR	30041A		30039	30040
15	WATER FLOW RESTRICTOR	220V/50HZ	6403	6414	6485
		115-220V/60HZ	32006	32007	32008
16	CURTAIN	6095B		6093A	6094A



ITEM	DESCRIPTION	SPIKA NG R290			
		50	70	100	150
1	PUMP OUT DRAIN FORCE TUBE		32457		
2	DRAIN FORCE TUBE DISCHARGE WATER BIN		32453		
3	VENT TUBE		1719		
4	PLUG		614		
5	DRAIN FORCE TUBE DISCHARGE BIN		32456		
6	DRAIN FORCE BUCKET SET		32571		32625
7	DRAIN FORCE PUMP SUPPORT		32573		32786
8	DRAIN FORCE PUMP SUCTION TUBE		32455		
9	DRAIN FORCE PUMP		220V / 50Hz		32624
			220V / 60Hz		32622
			115V / 60Hz		32623
10	CHECK VALVE RX3/4		32451		
11	DRAIN FORCE FITTING		30850		