

SPIKA NG

ITV
ICE makers



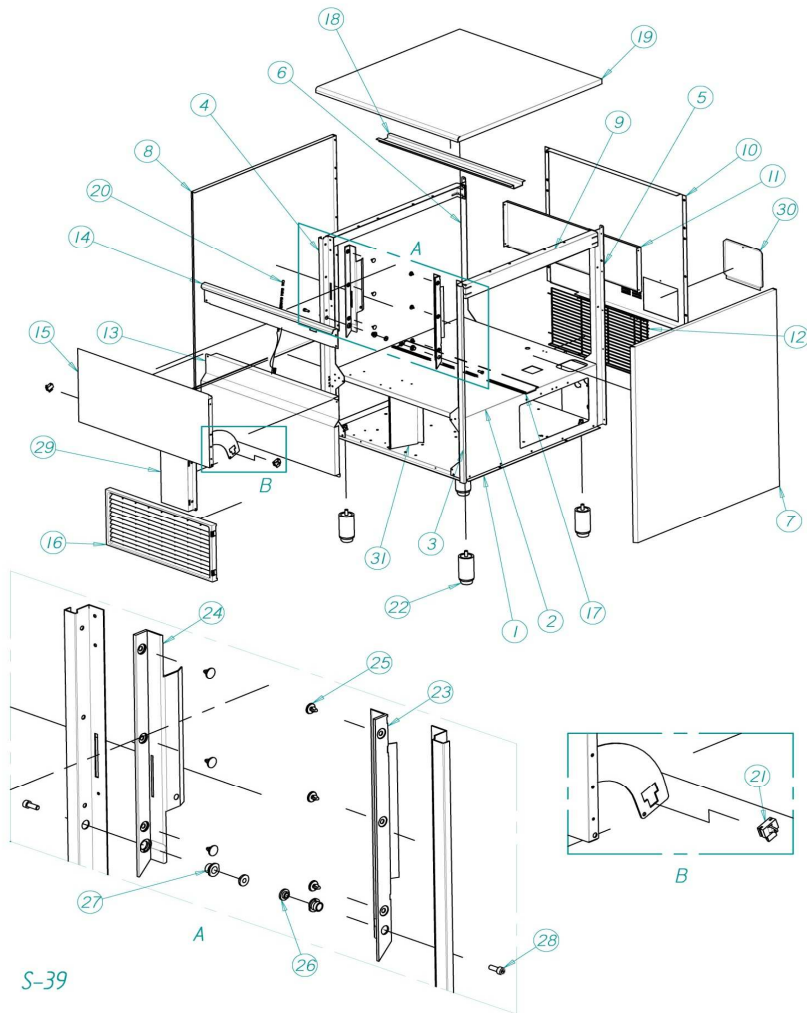
DESPIECE / REPUESTOS
EXPLODED VIEW / SPARE PARTS
EXPLOSIONSZEICHNUNG / ERSATZTEILE
VUE ÉCLATÉE / PIÈCES DÉTACHÉES
ESPLOSO / RICAMBI

ITV | ICE makers **SERVICE** 

CABINET



SPIKA NG



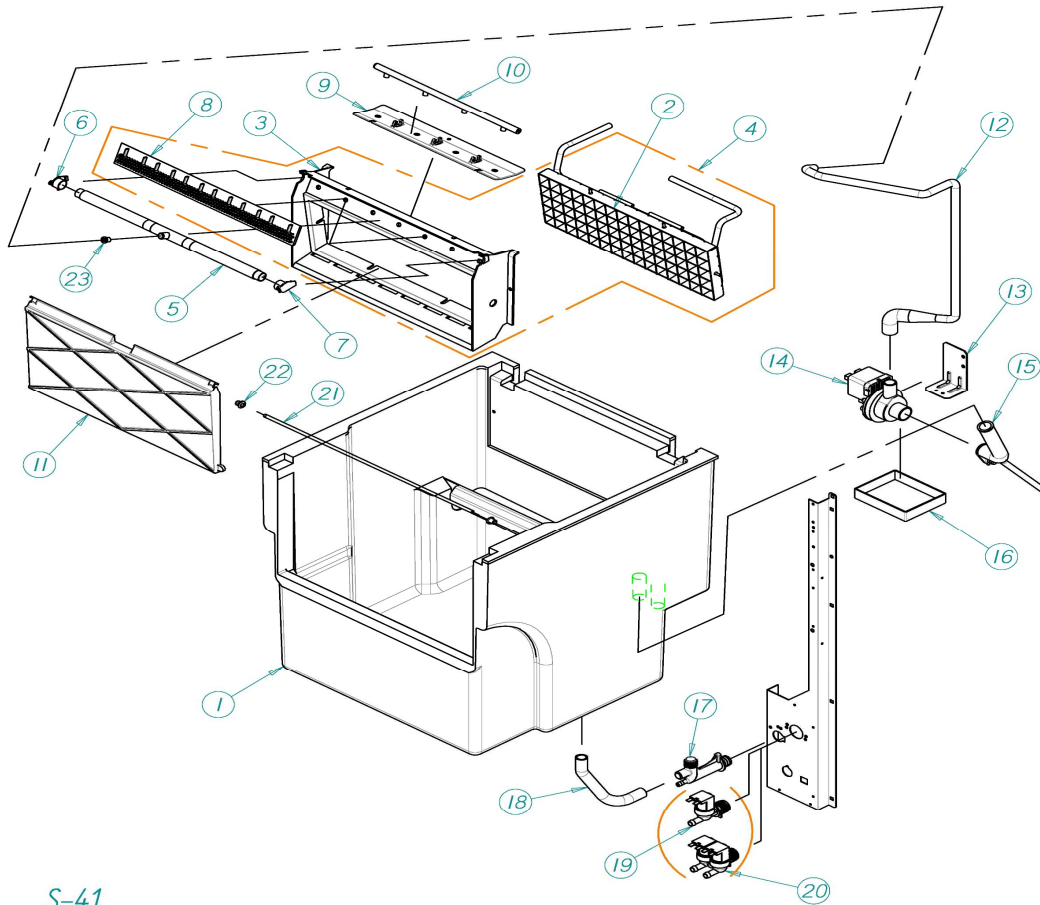
S-39

		DESCRIPTION			
		60	90	110	140
1	BASEMENT	4160	6256	6257	
2	BRIDGE	4159	6258	6259	
3	FRONT RIGHT COLUMN	159		6260	
4	FRONT LEFT COLUMN	160		6261	
5	REAR RIGHT COLUMN	207		6263	
6	REAR LEFT COLUMN	161		6262	
7	RIGHT PANEL	6466	6285	6287	
8	LEFT PANEL	6467	6286	6288	
9	BRACE	557	3778	6297	
10	REAR COVER	4172	6300	6301	
11	REAR REINFORCEMENT	4171	-	-	
12	REAR GRILL	4088	6209	2192	
13	LOWER FRONT PANEL	4168	6279	6280	
14	UPPER FRONT PANEL	4169	6281	6282	
15	DOOR	5791	6295	6296	
16	FRONT GRILL		4186	4188	
17	BRIDGE REINFORCEMENT	1144	6310	6311	
18	COVER REINFORCEMENT	-	6305	6307	
19	COVER	4170	6283	6284	
20	DOOR SPRING		702		
21	DOOR BUMPER		156		
22	LEG		1478		
23	RIGHT DOOR GUARD		82		
24	LEFT DOOR GUARD		83		
25	CLIP		113		
26	DOOR AXE BUSHING		155		
27	DOOR AXE BEARING		1001		
28	DOOR SCREW		392		
29	GRILL ADDON	-	6312	6313	
30	LID		6306		
31	AIR DEFLECTOR	-	6366	4975	

SNG 60 BIN & HIDRAULICS PARTS



SPIKA NG



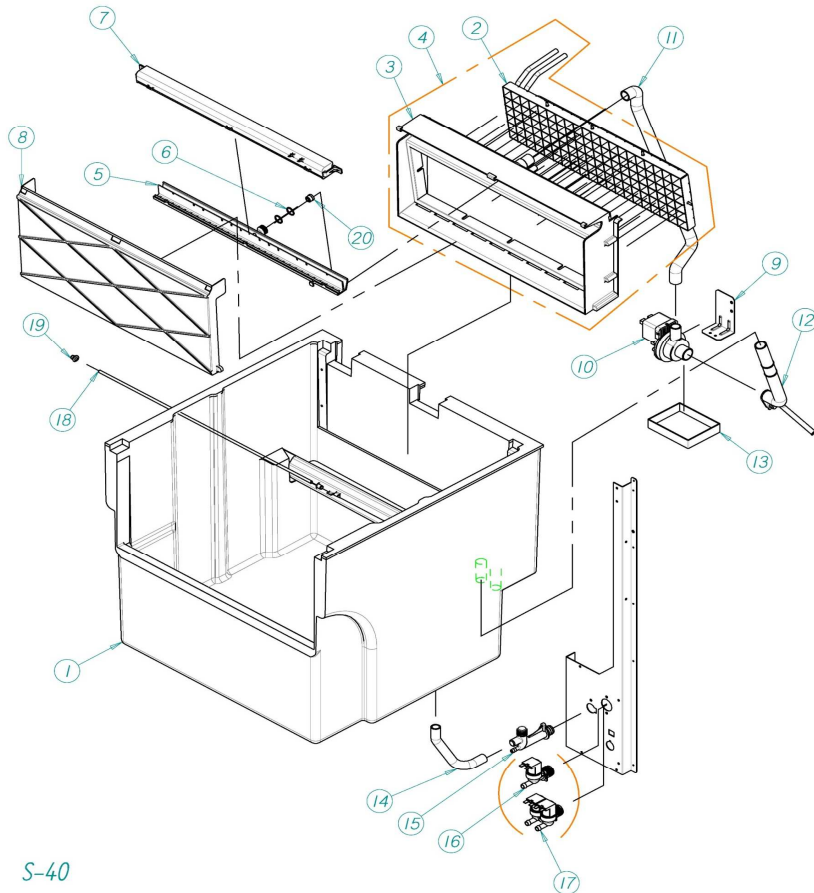
S-41

DESCRIPTION		MODEL
1	STOCK BIN	60
EVAPORATOR		
2		1" 6224
		1/2" 6227
3	FRAME	2531
FRAME AND EVAPORATOR		
4	COMPLETE WATER DISTRIBUTOR	30041A
5	COMPLETE WATER DISTRIBUTOR before 18233810	30041AK
6	LEFT DISTRIBUTOR CAP	2537A
7	RIGHT DISTRIBUTOR CAP	2538A
8	FLOW DISPERSION RAMP	2530
9	WATER INLET SUPPORT	6099
10	WATER DISTRIBUTOR	30041
11	CURTAIN	6095A
	CURTAIN before 18233810	30041AK
12	CONNECTING TUBE PUMP	6126
13	WATER PUMP SUPPORT	31997
	WATER PUMP SUPPORT before 18233810	4956
WATER PUMP		
14		220V/50Hz 4769
		220V/60Hz 32050
		115V/60Hz 32065
15	WATER PUMP SUCTION TUBE	4961
16	WATER PUMP TRAY	4521
17	WATER DRAIN DISTRIBUTOR	363
18	DRAIN TUBE	2222
ELECTROVALVE 1B		
19		220V/50-60Hz 329
		115V/60Hz 2783
ELECTROVALVE 2B		
20		220V/50-60Hz 404
		115V/60Hz 2793
21	THERMOSTAT TUBE	5437
22	JOINT	666
23	WATER RESTRICTOR	6403

CUBA Y COMPLEMENTOS HIDRAULICOS NG 90-110-140



SPIKA NG



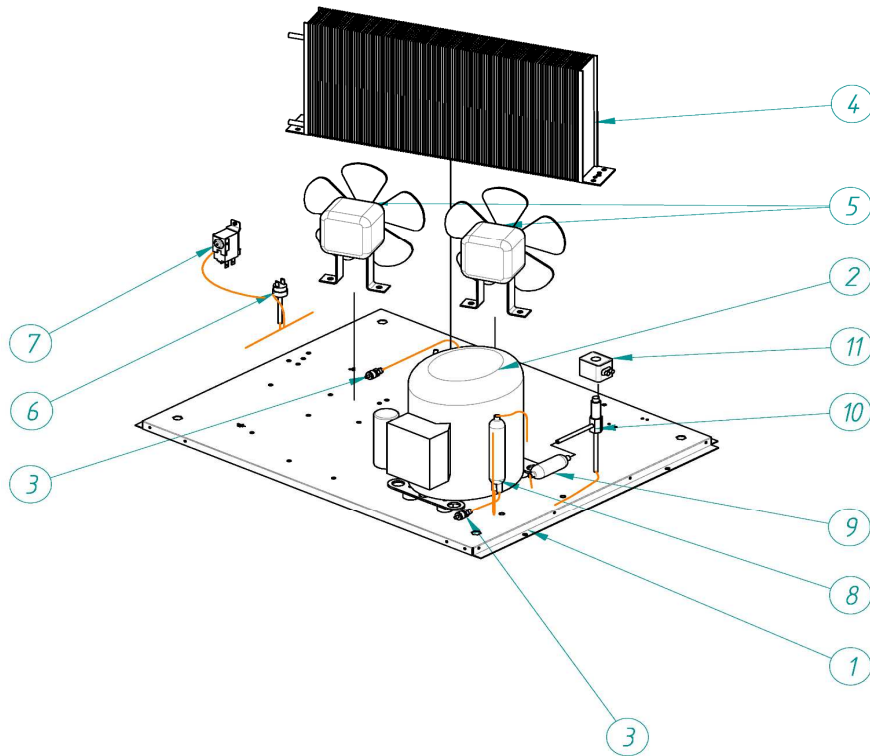
S-40

	DESCRIPTION	MODEL		
		90	110	140
1	STOCK BIN	6246		6247
EVAPORATOR				
2	1"	6230		6236
	1/2"	6233		6239
3	FRAME	6091		6092
4	FRAME AND EVAPORATOR			
5	COMPLETE WATER DISTRIBUTOR	30039		30040
6	JOINT		4496	
7	WATER DISTRIBUTOR CAP	30039		30040
8	CURTAIN	6093		6094
9	WATER PUMP SUPPORT		31977	
	WATER PUMP SUPPORT before 18233810		4956	
WATER PUMP				
10	220V/50Hz		4769	
	220V/60Hz	32051		32052
	115V/60Hz	32066		32067
11	WATER IMPULSE PIPE		6128	
12	WATER SUCTION PIPE		4961	
13	WATER TRAY		4521	
14	DRAIN TUBE		2222	
ELECTROVALVE 1B				
	220V/50-60Hz		329	
	115V/60Hz		2783	
ELECTROVALVE2B				
16	220V/50-60Hz		404	
	115V/60Hz		2793	
17	THERMOSTAT TUBE	6384		6385
18	JONT		666	
19	WATER RESTRICTOR		6414	

AIR CONDENSER



SPIKA NG

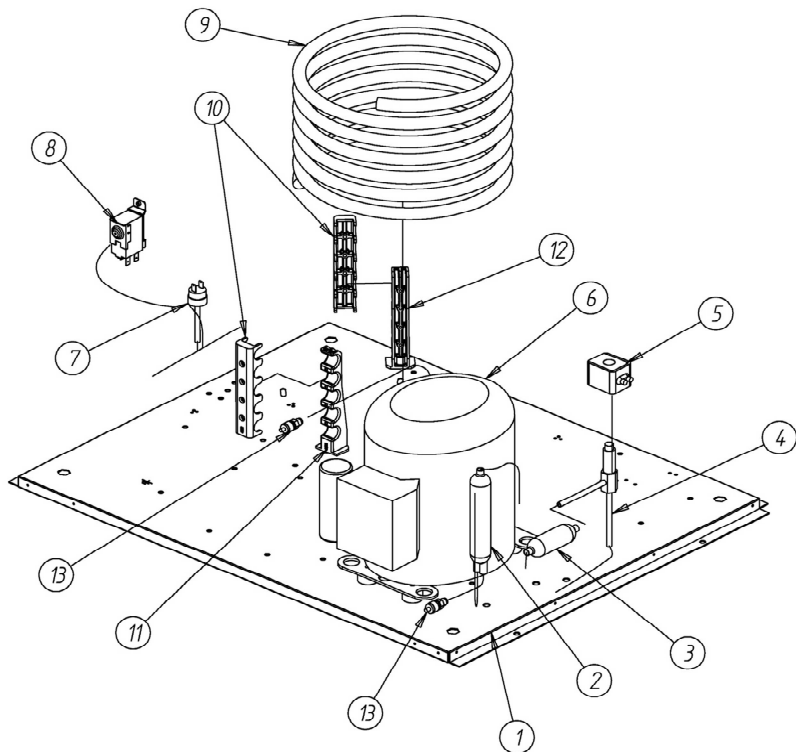


	DESCRIPTION	MODEL			
		60	90	110	140
1	BASEMENT	4160		6256	6257
COMPRESSOR					
2	220V/50HZ	6005	6515	6516	6007
	220V/60Hz	31092	81095	81098	81098
	115V/60Hz	82801	6169	6170	6171
3	REFRIGERANT LOAD VALVE			335	
4	CONDENSER	2541	487	2867	589
5	FAN MOTOR		28		444
6	HIGH PRESSURE SWITCH			334	
7	CONDENSATION PRESSURE SWITCH	7476E		2507	
8	DRIER	449		2560	
9	FILTER			448A	
10	HOT GAS VALVE	1468	1473	762	1473
COIL					
11	220V/50-60Hz			5173	
	115V/60Hz			5414	
	EXPANSION VALVE	-		6348	

WATER CONDENSER



SPIKA NG

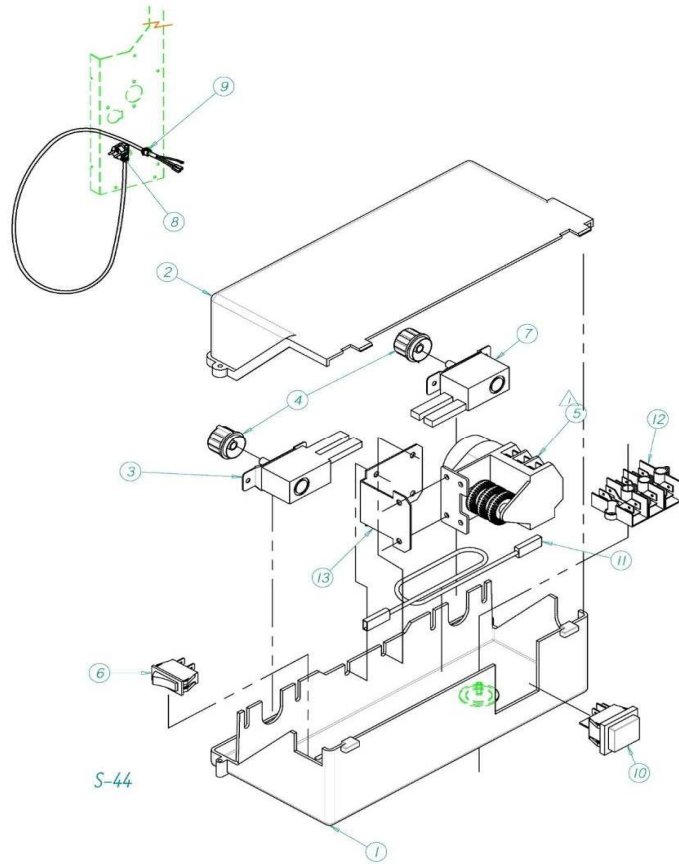


		DESCRIPTION			
		60	90	110	140
1	BASEMENT	4160	6256		6257
2	DRIER	449		2560	
3	FILTER			448A	
4	HOT GAS VALVE	1468	1473	762	1473
5	COIL				
	220V/50-60Hz			5173	
	115V/60Hz			5414	
		COMPRESSOR			
6	220V/50HZ	6005	6515	6516	6007
	220V/60Hz	31092	81095	81098	81098
	115V/60Hz	82801	6169	6170	6171
7	HIGH PRESSURE SWITCH			334	
8	CONDENSATION PRESSURE SWITCH	7476E		2507	
9	WATER CONDENSER	5242		5244	
10	WATER CONDENSER SUPPORT	4032		4038	
11	WATER CONDENSER SUPPORT			4037	
12	WATER CONDENSER SUPPORT			4036	
13	REFRIGERANT LOAD VALVE			335	
	EXPANSION VALVE	-		6348	

ELECTRIC BOX



SPIKA NG



	DESCRIPTION			
	60	90	110	140
1	ELECTRIC BOARD		4789	
2	ELECTRIC BOARD COVER		4790	
3	CYCLE THERMOSTAT		153	
4	THERMOSTAT BUTTON		272	
5	10' TIMER			
	220V/50-60Hz		6173C	
	115V/60Hz		6250C	
6	COMPRESSOR SWITCH		2300	
7	FULL BIN THERMOSTAT		274	
	SHUKO PLUG 220V/50Hz		408	
8	SHUKO PLUG 208-220V/60Hz		3675	
	SHUKO PLUG115V/60Hz		2771	
10	MAIN SWITCH		2287	
11	RESISTENCE PVC 220V		3814	
	RESISTENCE PVC 115V		4867	
12	CONNECTION POINT		5177 X 3	
13	MICRO PLATE SUPPORT		6248	