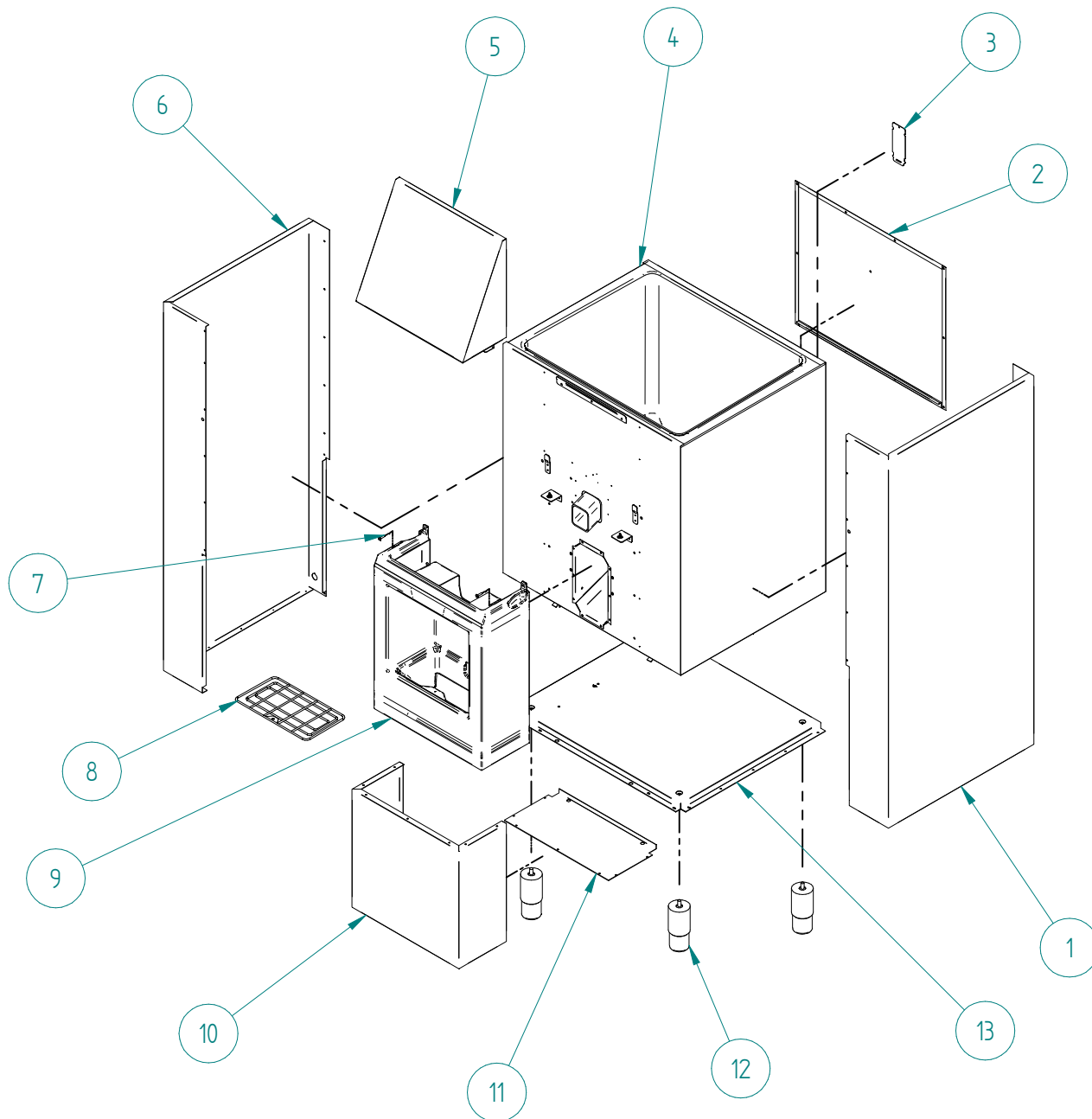




ITV
ICE makers

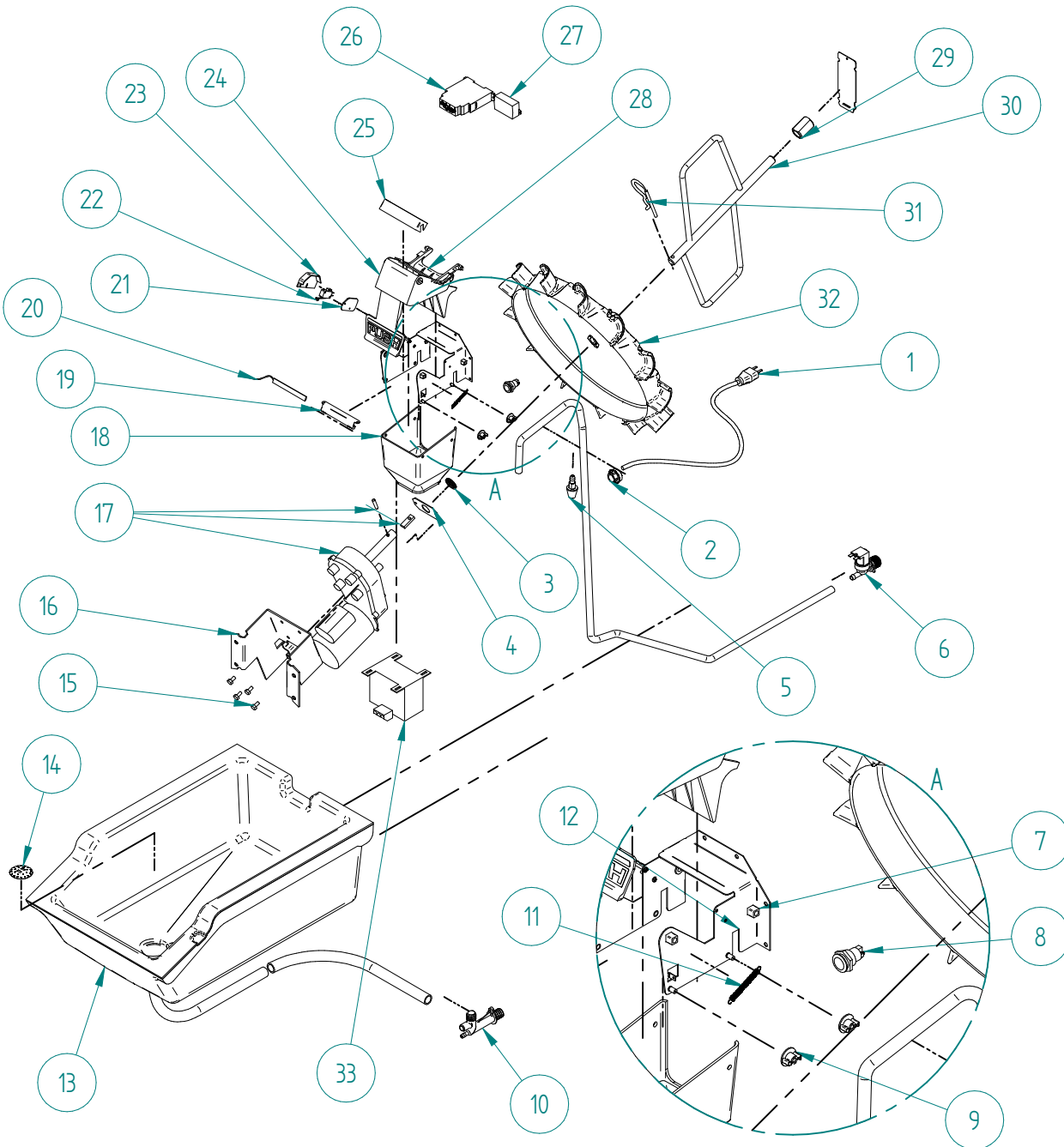


DESPIECE / REPUESTOS
EXPLODED VIEW / SPARE PARTS
EXPLOSIONSZEICHNUNG / ERSATZTEILE
VUE ÉCLATÉE / PIÈCES DÉTACHÉES
ESPLOSO / RICAMBI



DISPENSER ENGLISH			
ITEM	DESCRIPTION	DHD	
		30"	22"
1	RIGHT PANEL	6891	31093
2	BACK PANEL	6890	31091
3	COVER	6323	
4	INSULATED BIN	6869	31103
5	TOP FRONT	7755	31090
6	LEFT PANEL	6892	31094
7	SCREW	7711	
8	GRILL	6875	
9	FRONT	6802	
10	LOWER FRONT PANEL	6893	31095
11	BASE	6903	
12	INOX LEG	6749	
13	BASE	7733	31102

DISPENSER PARTS



DISPENSER ENGLISH			
ITEM	DESCRIPTION	DHD	
		220 V	115 V
1	SCHUCKO PLUG	408	2771
2	WIRING FIXING FLANGE		4907
3	SEAL		6879
4	SEAL COVER		6880
5	WATER EXIT		7715
6	WATER VALVE	7688	7687
7	BUSHING		171
8	PUSH-BUTTON		6148
9	NUT		7710
10	WATER DISTRIBUTOR		6206
11	SPRING		31176
12	MECHANISM SUPPORT		6870
13	DRAIN BIN		6862
14	DRAIN GRILL		766
15	SCREW		6878
16	MOTOR BRACKET V2 3MM		30616
17	MOTOR KIT 115V		30561
18	ICE EXIT		6873
19	LED SUPPORT		6999
20	LED		6896
21	PROTECTION (MICRO)		5212
22	MICRO		387
23	MICRO BOX		371
24	ICE PUSH BUTTON		6801
25	TENSE		6895
26	TIMER		6882
27	FEEDER LED		6897
28	COVER		6797
29	BUSHING		6868
30	SHAKER		6874A
31	SHAFT HASP		31693
32	WHEEL		31661
33	AC CONVERTER	34055	-