



IQ 50C-85C

ITV
ICE makers



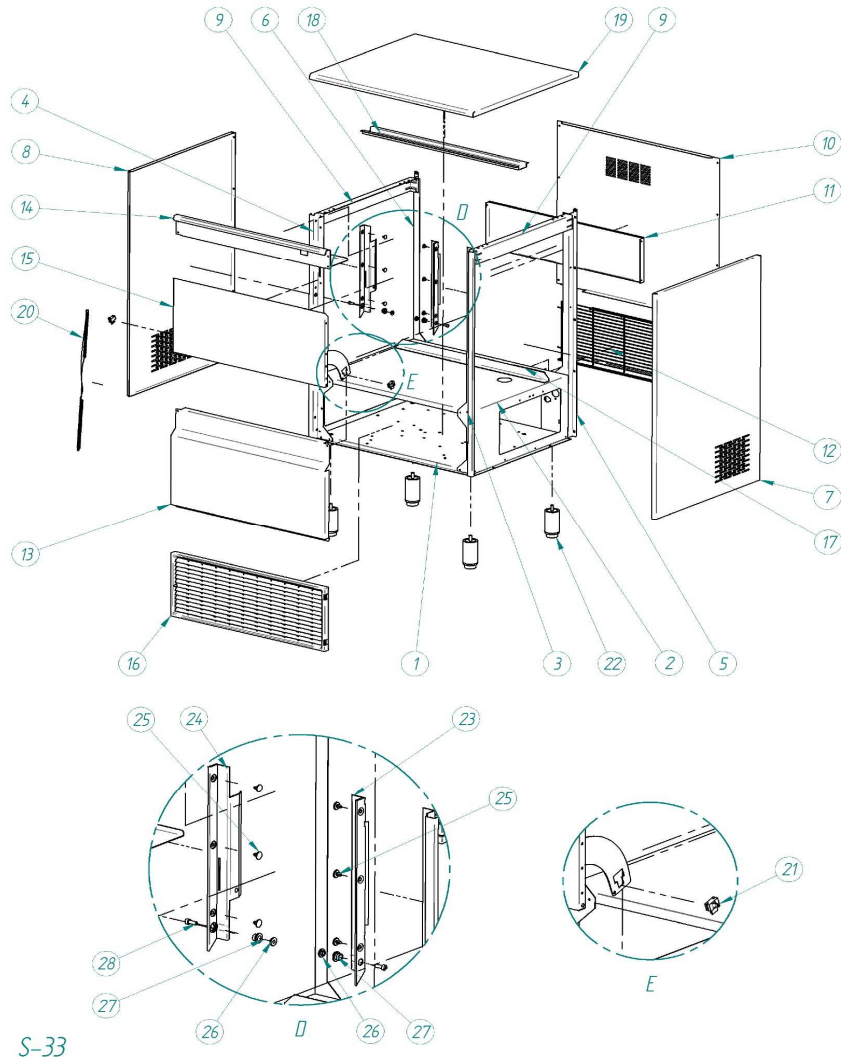
DESPIECE / REPUESTOS
EXPLODED VIEW / SPARE PARTS
EXPLOSIONSZEICHNUNG / ERSATZTEILE
VUE ÉCLATÉE / PIÈCES DÉTACHÉES
ESPLOSO / RICAMBI

ITV | ICE makers **SERVICE** 

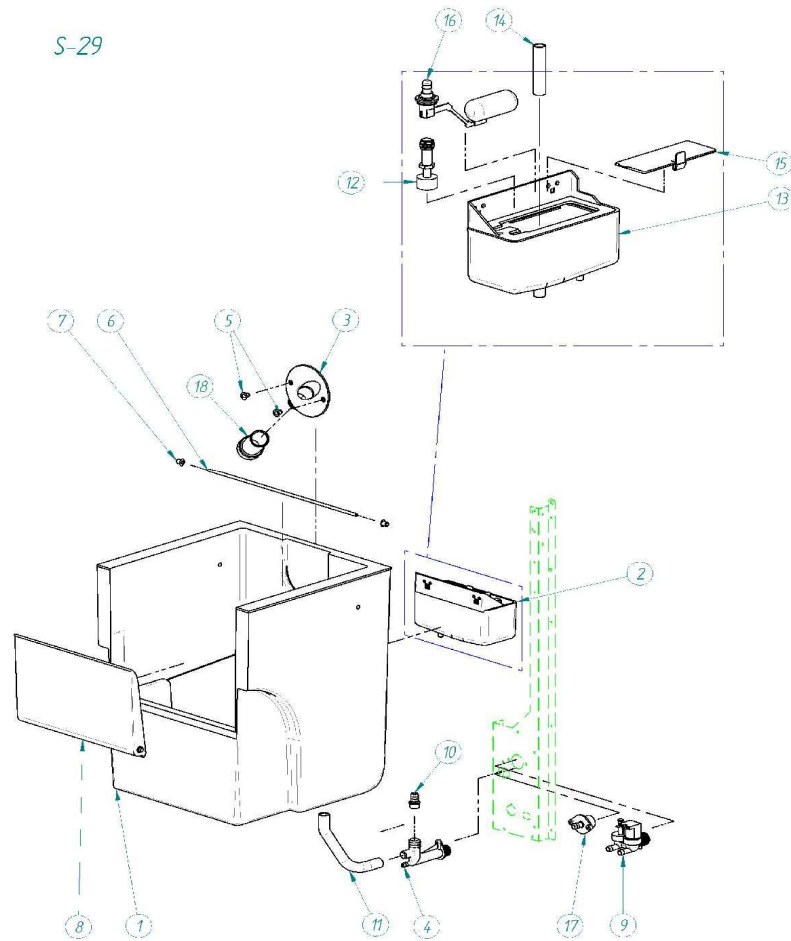
CABINET



IQ 50C-85C



NAME		
1	BASEMENT	808
2	BRIDGE	506
3	FRONT RIGHT COLUMN	159
4	FRONT LEFT COLUMN	160
5	REAR RIGHT COLUMN	207
6	REAR LEFT COLUMN	161
7	RIGHT PANEL	489
8	LEFT PANEL	490
9	BRACE	4840
	BRACE	4841
10	REAR COVER	635
11	REAR REINFORCEMENT	588
12	REAR GRILL	1728
13	LOWER FRONT PANEL	464
14	UPPER FRONT PANEL	418
15	DOOR	5030
16	FRONT GRILL	4063
17	BRIDGE ANGLE	1689
18	COVER REINFORCEMENT	6388
19	TOP COVER	920
20	DOOR SPRING	702
21	DOOR BUMPER	156
22	LEG	1478
23	RIGHT DOOR GUARD	82
24	LEFT DOOR GUARD	83
25	CLIP	113
26	DOOR AXE BUSH	155
27	DOOR AXE BEARING	1001
28	DOOR SCREW	392

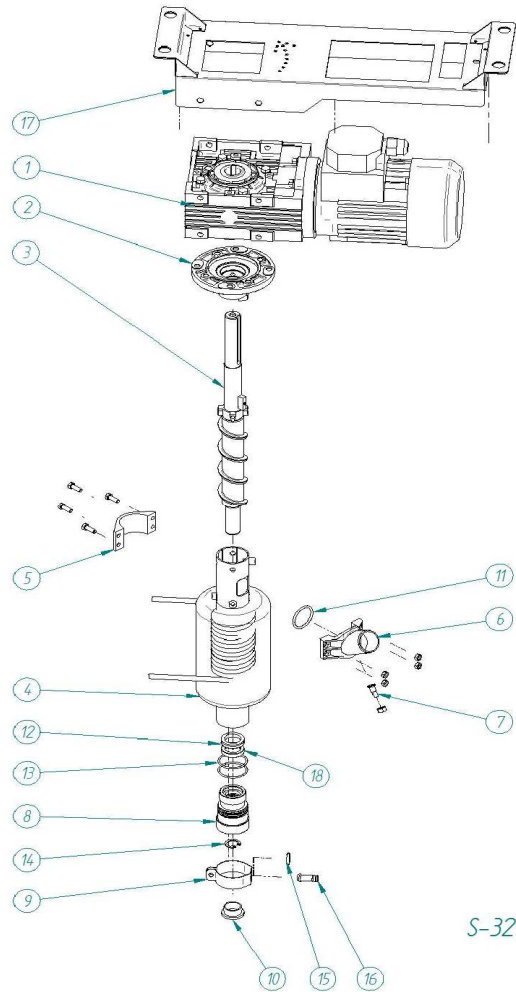


		NAME	
1	STOCK BIN		720
2	WATER BIN		32012
3	ICE EXIT		6035
4	DRAIN		363
5	SCREW		113
6	THERMOSTAT CUBE		5219
7	JOINT		666
8	SWING DOOR		1123
9	WATER INLET VALVE		1910
		115/60HZ	4896
10	WATER INLET VALVE		1005
11	WATER TUBE		1907
12	UPPER LEVEL HEAD		5423
13	WATER BIN		32053
14	TUBE		2505
15	TOP COVER		1968
16	WATER FLOAT		5340
17	INLET WATER		1689

EVAPORATOR

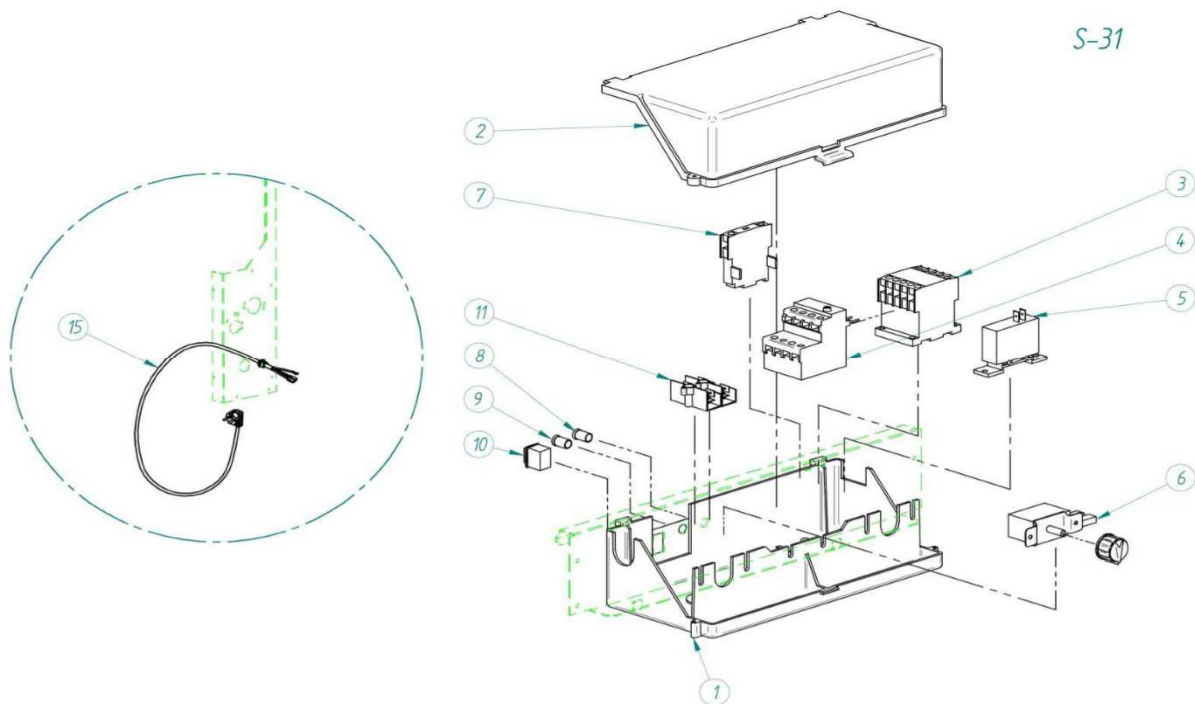


IQ 50C-85C

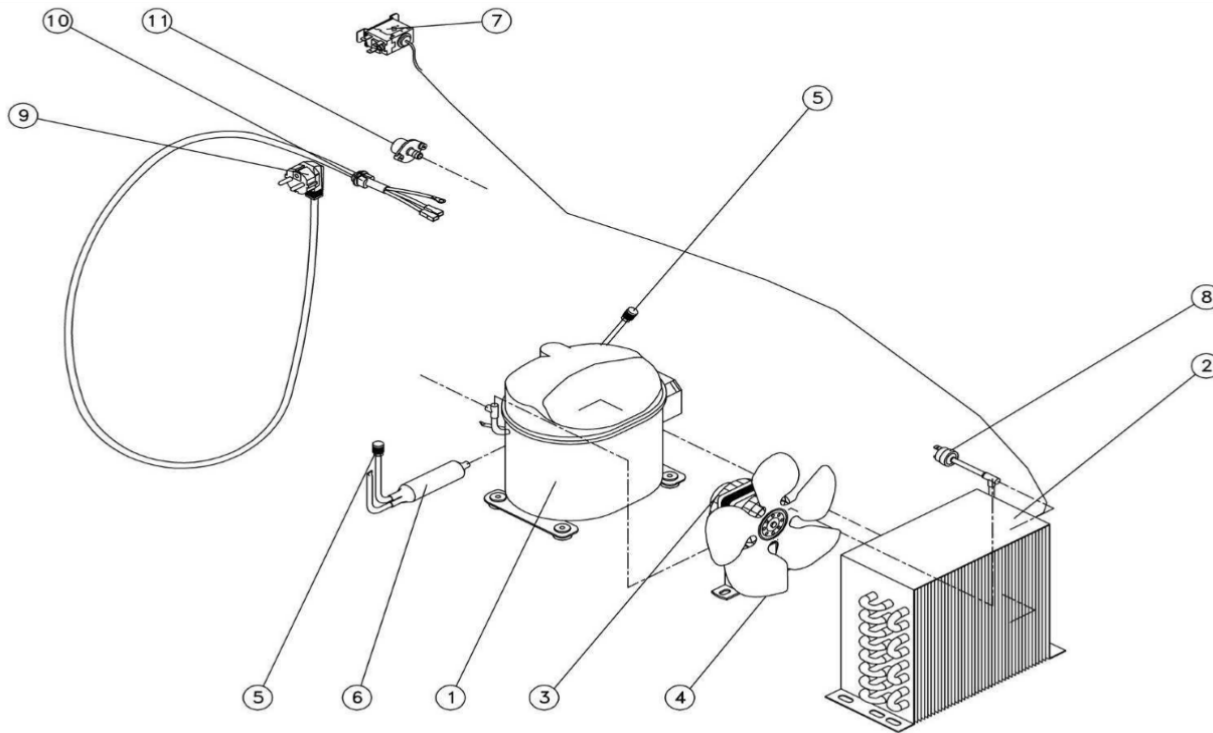


S-32

		NAME	
1	GEAR MOTOR		
	Until serial number 2983092	220V/50Hz	7887
	From serial number 1112041	220V/50Hz	6486
		115/60HZ	6431
2	BRIDE/PLATE		109
3	AUGER		115
4	EVAPORATOR		7012
5	EVAP OPENING FLANGE		1008
6	EVAP OPENING		1007
7	DRAIN		785
8	LOWER BEARING		97
9	WATER ENTRY		211
10	STOPPER		92
11	JOINT		1391
12	V-RING		80
13	JOINT		86 X 2
14	RING		1390
15	JOINT		1006
16	WATER INLET		1005
17	MOTOR SUPPORT		4839
18	RETAINING RING		75
*	SET EVAPORATOR: from 2 to 16		6037
*	AUGER UPPER METALLIC WASHER		6072



NAME		
1	ELECTRIC BOARD	4791
2	COVER	4790
3	CONTACTOR	220V/50HZ 1002
		115V/60HZ 2167
4	RELAY	220V/50HZ 1003
		115V/60HZ 1902
5	TIMER	2471
6	STOCK THERMOSTAT	274
7	AUX CONTACT	1004
8	RED LED	788
9	LED	787
10	SWITCH	2300
11	CONNECTOR	5177
	PLUG	
		220V/50HZ 408
12		208-230V/60HZ 3675
		115V/60HZ 2771

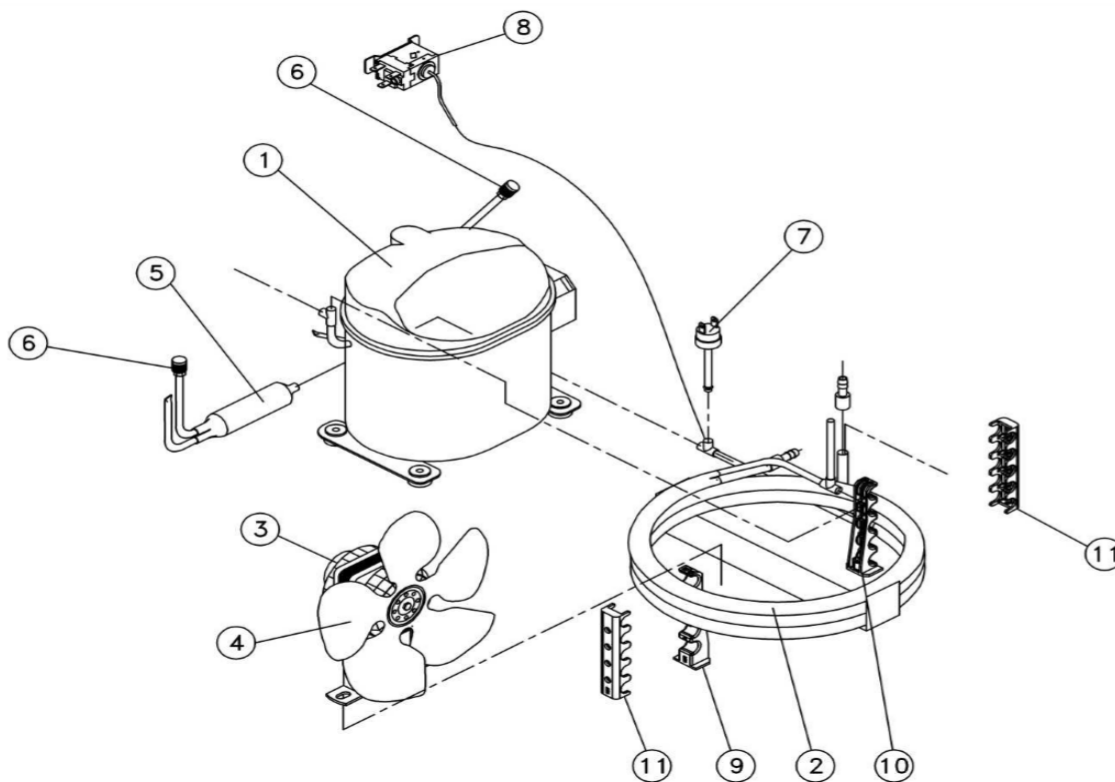


		NAME	IQ 50C	IQ 85C
1	COMPRESSOR	220V/50HZ	8434	8435
		115V/60HZ		2801
2	AIR CONDENSER		491	486
3	FAN	220V/50HZ	2170	444
		115V/60HZ	-	2164
4	FAN BLADE		587	4040
5	CHARGE VALVE			335
6	FILTER		449	1717
7	CONDENSING PRESSURE SWITCH		7476E	2507
8	HIGH PRESSURE SWITCH			334
9	PLUG			408
10	RETAINER			4907
11	WATER INLET VALVE			1689

WATER CONDENSER UNIT



IQ 50C-85C



		NAME		IQ 50C	IQ 85C
1	COMPRESSOR	220V/50HZ	8434	8435	
		115V/60HZ		2801	
2	WATER CONDENSER		5224	5242	
3	FAN	220V/50HZ	2170	444	
		115V/60HZ	-	2164	
4	FAN BLADE		587	4040	
5	CHARGE VALVE			335	
6	FILTER		449	1717	
7	HIGH PRESSURE SWITCH			334	
8	CONDENSING PRESSURE SWITCH	7476E		2507	
9	TOP SUPPORT			4036	
10	LOW SUPPORT			4037	
11	EXTERIOR SUPPORT			4038	