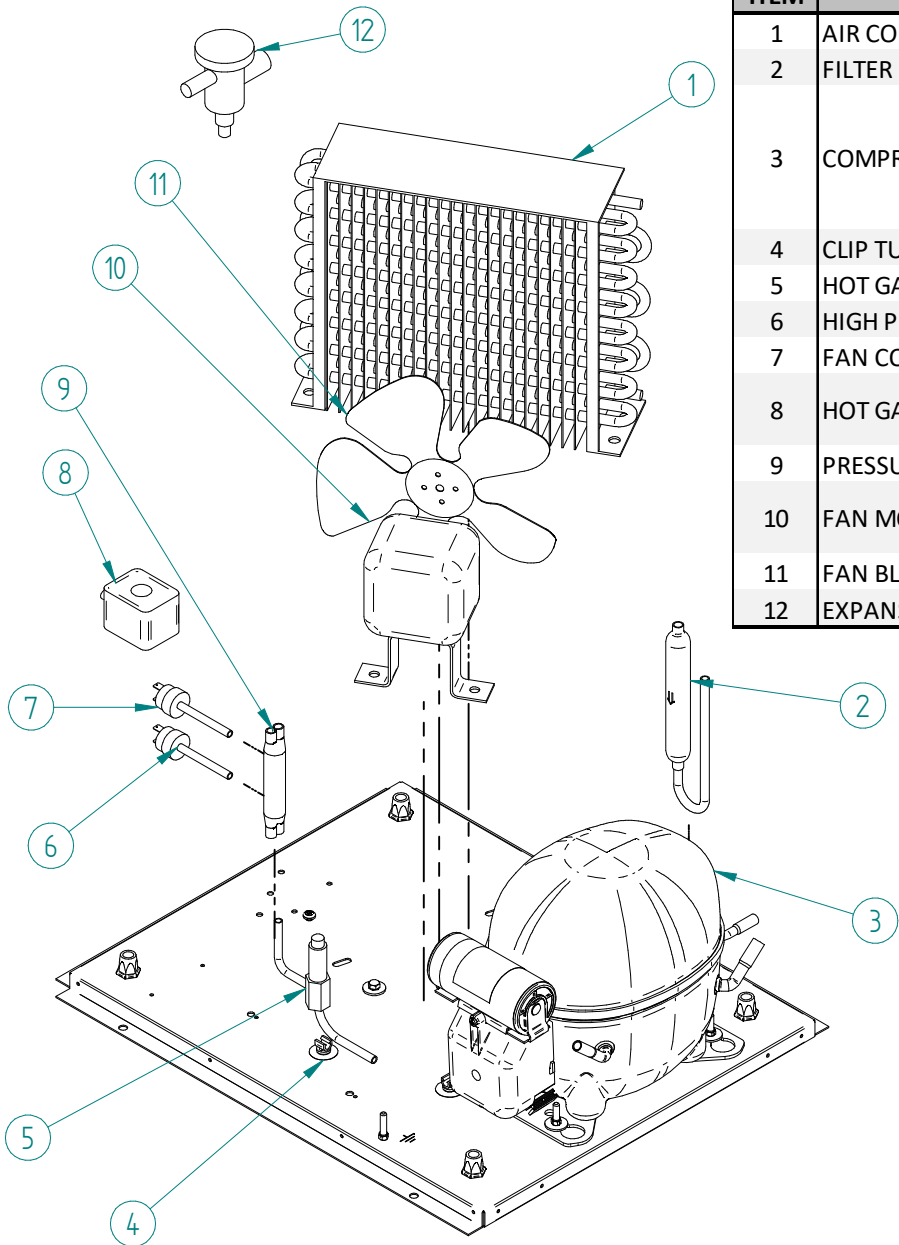


ITV
ICE makers

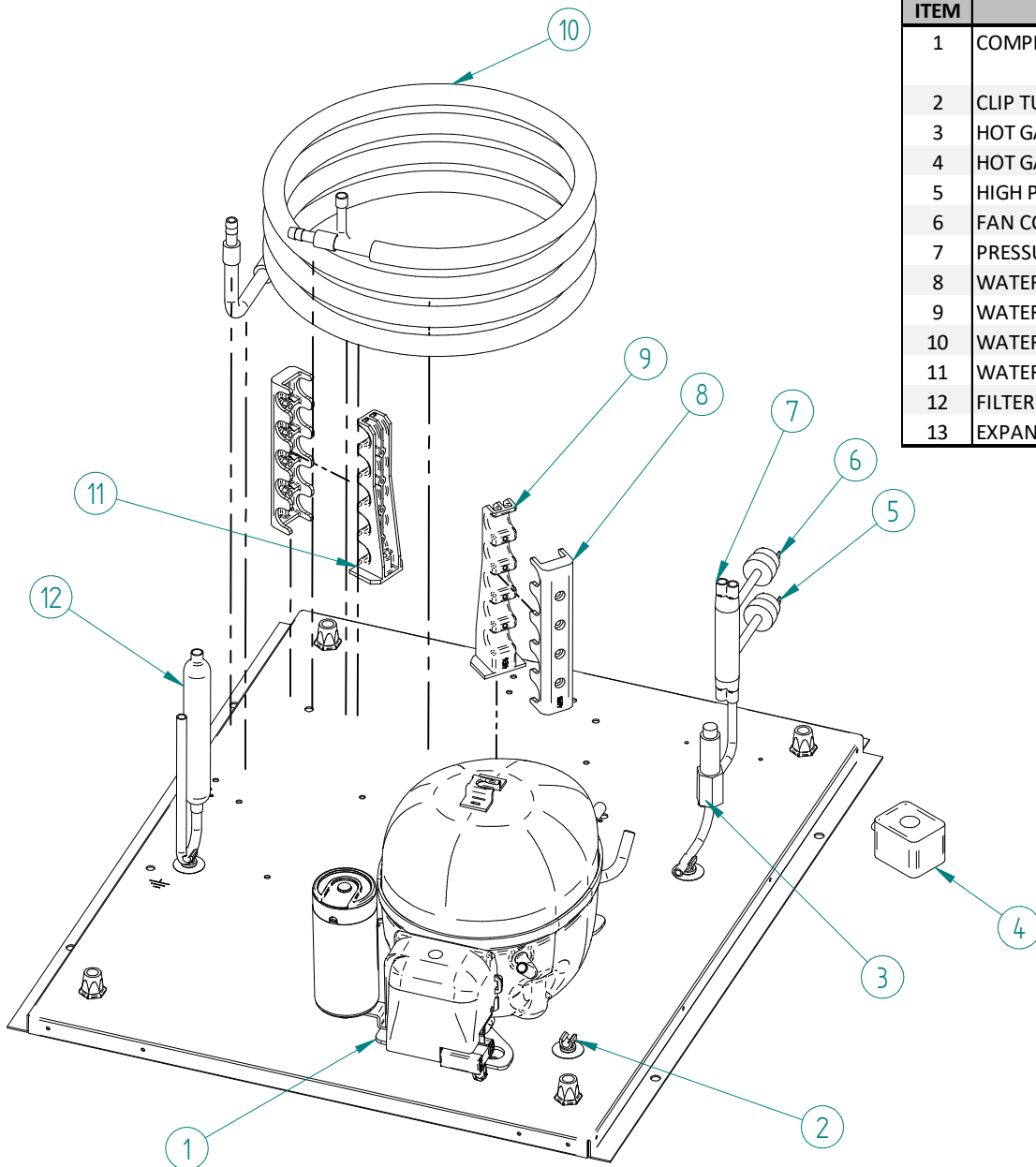


DESPIECE / REPUESTOS
EXPLODED VIEW / SPARE PARTS
EXPLOSIONSZEICHNUNG / ERSATZTEILE
VUE ÉCLATÉÉ / PIÈCES DÉTACHÉES
ESPLOSO / RICAMBI

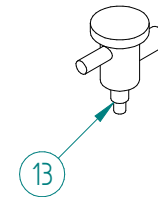


ITEM	DESCRIPTION	30	35	45	60	80	110	150
1	AIR CONDENSER	31531	486A	487A	32251	32730	32731	
2	FILTER DRIER			7896				
3	COMPRESSOR* 30GR & 60GR - 220V/50HZ 40GR - 220V/50HZ 220V/60HZ 115V/60HZ	31302		33303	31306	31307	31310	
			N/A		33305	31306	31458	
		32584	N/A	32727	31454	N/A		
4	CLIP TUBE			3533				
5	HOT GAS VALVE - BODY		1473			6396	32163	
6	HIGH PRESSURE SWITCH			31660E				
7	FAN CONTROL PRESSURE SWITCH			31160E				
8	HOT GAS VALVE - COIL			5173			8806	
				5414			N/A	
9	PRESSURE SWITCH COLLECTOR			31444				
10	FAN MOTOR 220V/50-60HZ 115V/60HZ	960		28		445	32654	
		4889	N/A	4890		N/A		
11	FAN BLADE			4887		4231	4994	
12	EXPANSION VALVE			N/A			31524	

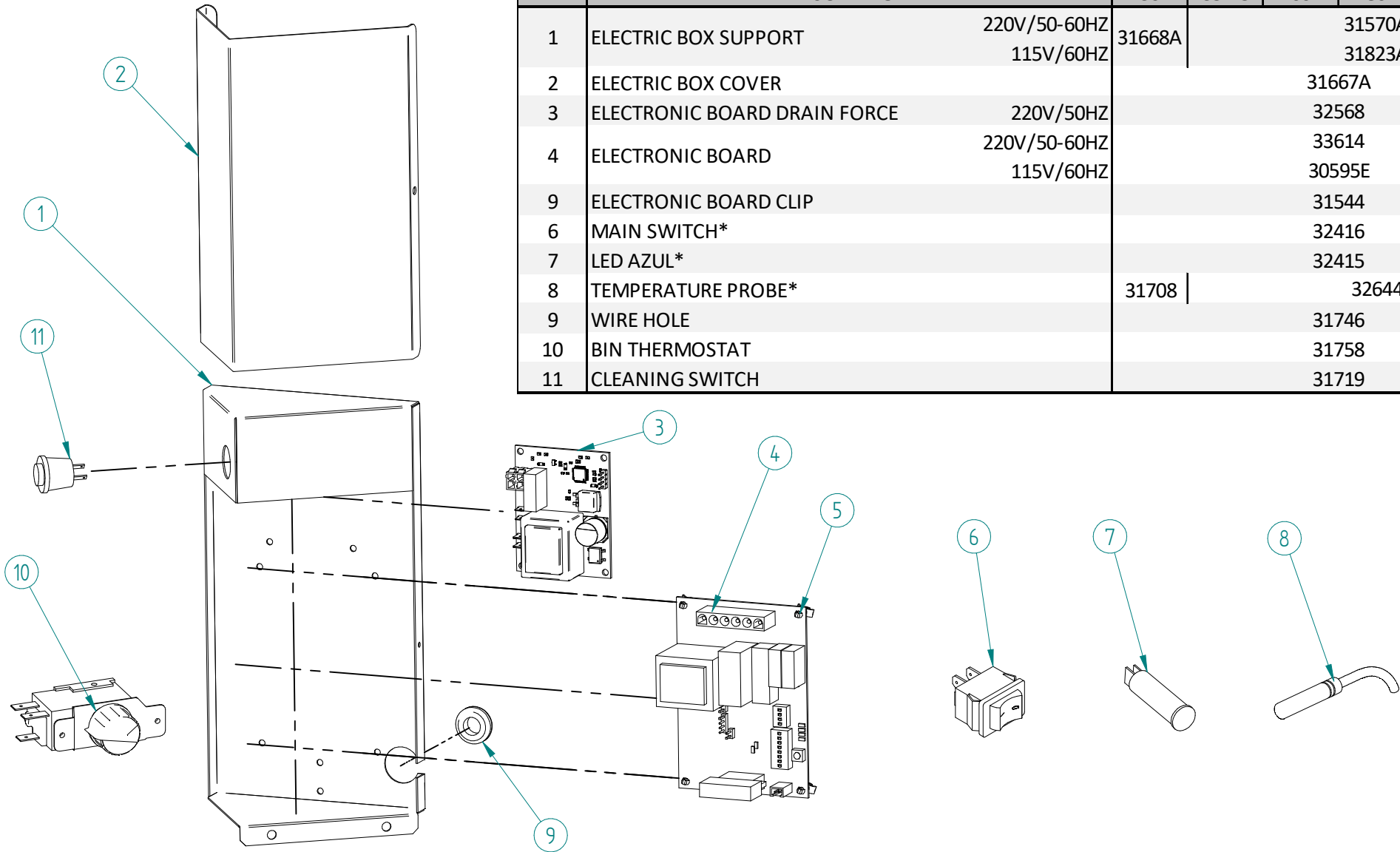
* TO PROVIDE SERIAL NUMBER



ITEM	DESCRIPTION	30	35	45	60	80	110	150
1	COMPRESSOR* 30GR & 60GR - 220V/50HZ 40GR - 220V/50HZ	31302		33303	31306 33305	31307 31306		31310
2	CLIP TUBE			3533				
3	HOT GAS VALVE - BODY			1473			6396	32163
4	HOT GAS VALVE - COIL 220V/50HZ			5173				8806
5	HIGH PRESSURE SWITCH				31660E			
6	FAN CONTROL PRESSURE SWITCH				31160E			
7	PRESSURE SWITCH COLLECTOR				31444			
8	WATER CONDENSER EXTERNAL SUPPORT				4038			N/A
9	WATER CONDENSER UPPER SUPPORT				4036			N/A
10	WATER CONDENSER	32170	5242	33035	5244	5246		33671
11	WATER CONDENSER LOWER SUPPORT				4037			N/A
12	FILTER DRIER				7896			
13	EXPANSION VALVE			N/A				31524

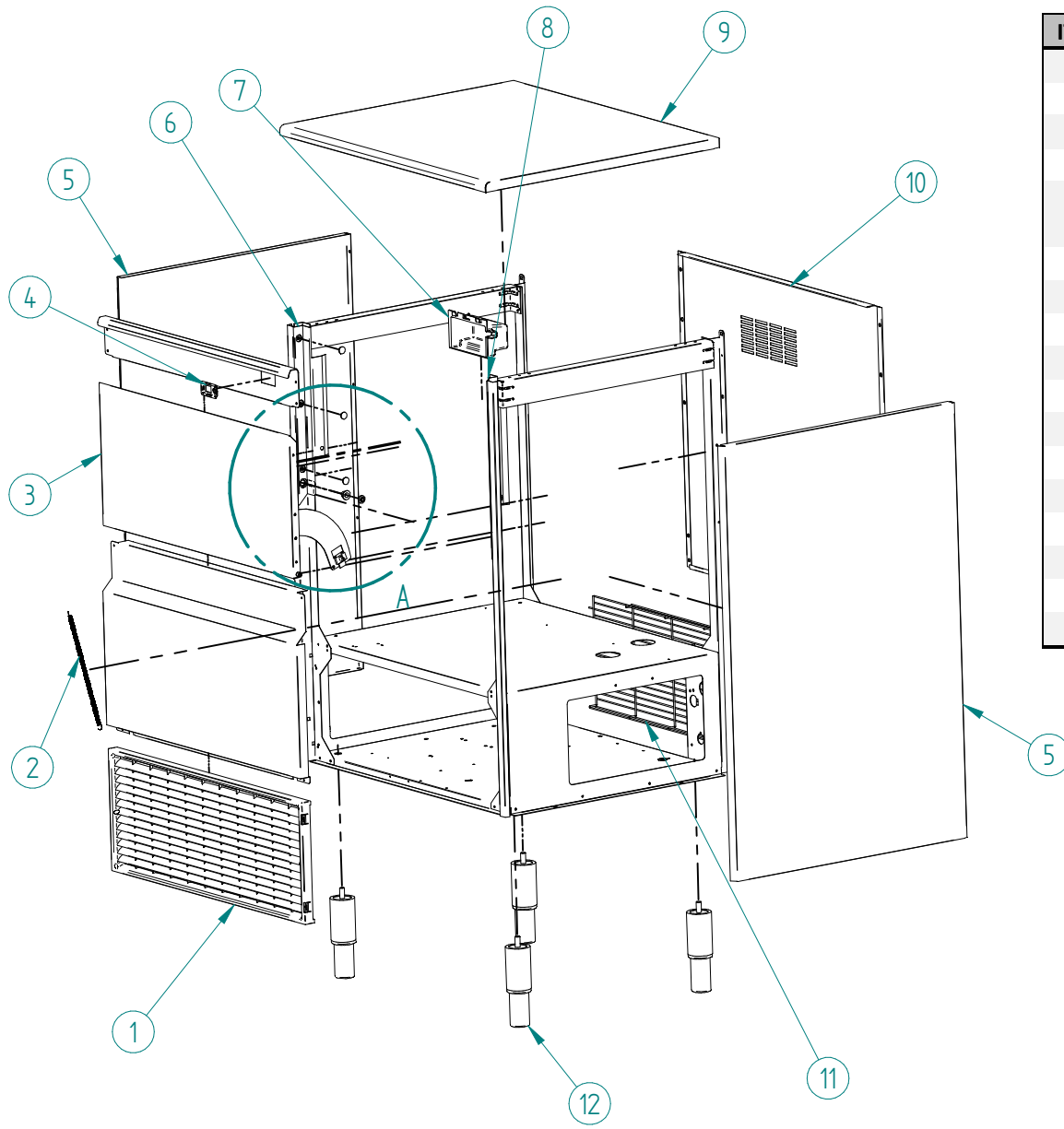


* TO PROVIDE SERIAL NUMBER

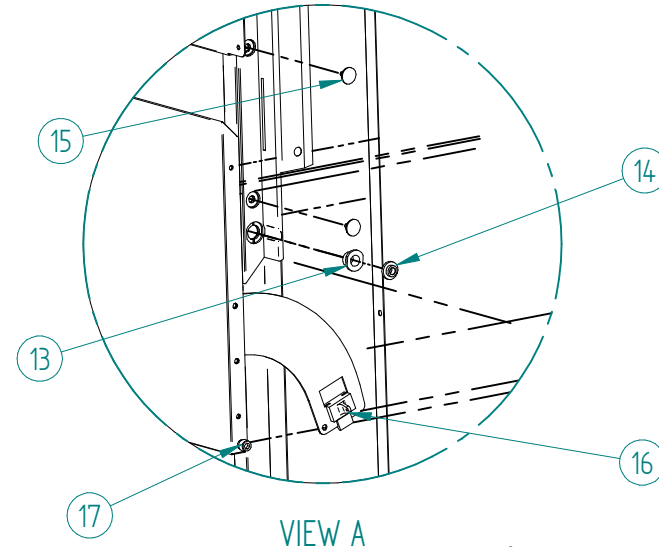


ITEM	DESCRIPTION	30	35-45	60	80	110	150
1	ELECTRIC BOX SUPPORT	220V/50-60HZ 115V/60HZ	31668A			31570A 31823A	
2	ELECTRIC BOX COVER				31667A		
3	ELECTRONIC BOARD DRAIN FORCE	220V/50HZ			32568		
4	ELECTRONIC BOARD	220V/50-60HZ 115V/60HZ			33614 30595E		
9	ELECTRONIC BOARD CLIP				31544		
6	MAIN SWITCH*				32416		
7	LED AZUL*				32415		
8	TEMPERATURE PROBE*		31708		32644		
9	WIRE HOLE				31746		
10	BIN THERMOSTAT				31758		
11	CLEANING SWITCH				31719		

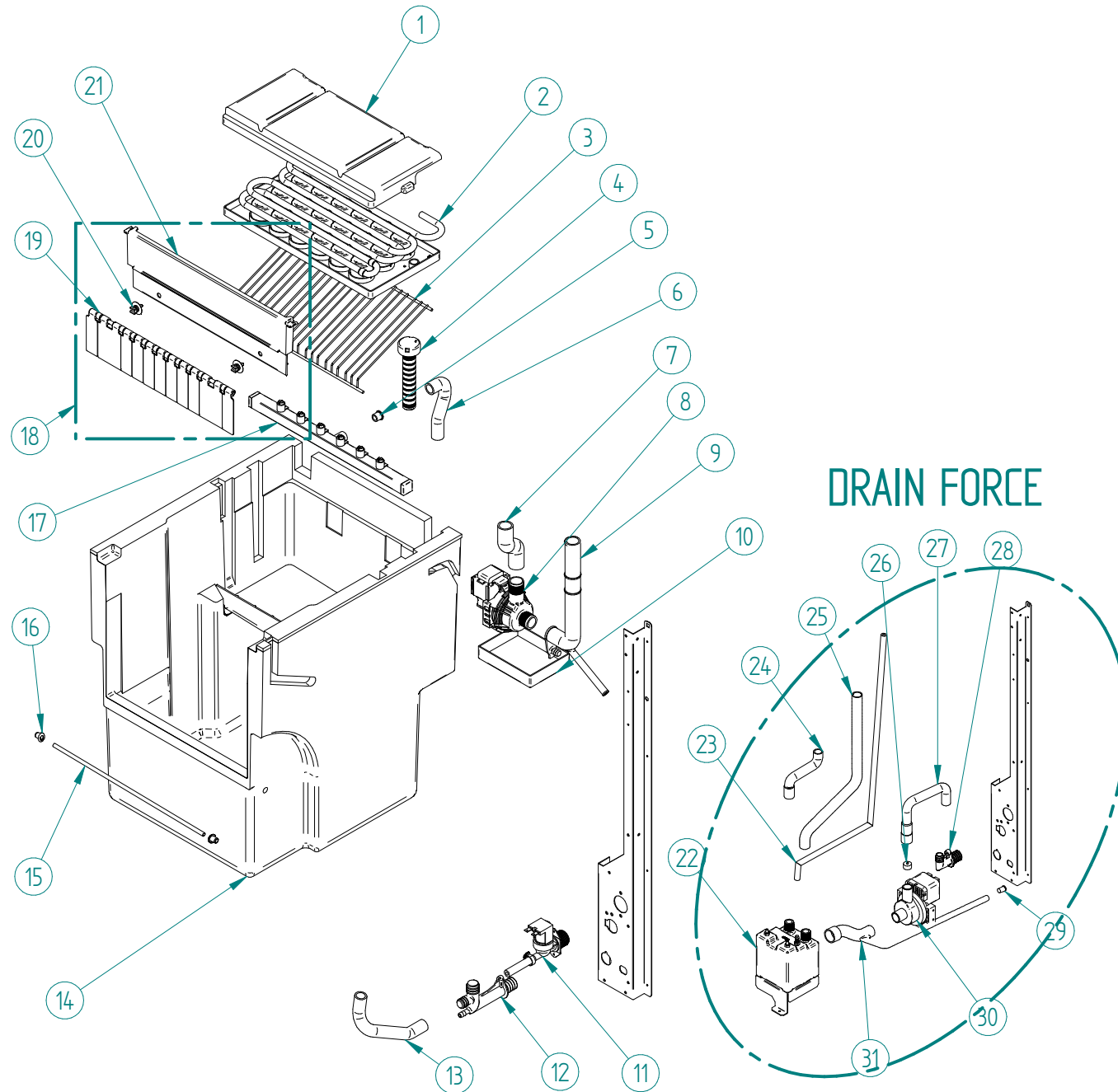
* TO PROVIDE SERIAL NUMBER



ITEM	DESCRIPCION	30	35-45	60	80	110	150
1	FRONT LOUVER	4185	4063	4186	4188	4187	
2	DOOR SPRING			702			
3	DOOR ASSEMBLY	5072	5030	5791	5237	5857	
4	MAIN SWITCH SUPPORT			32441			
5A	RIGHT PANEL*	4219U	489UA	1900U	3969U		
5B	LEFT PANEL*	4220U					
6	LEFT DOOR GUARD			83			
7	MAIN SWITCH BOX			31665			
8	RIGHT DOOR GUARD			82			
9	TOP PANEL	3387A	920A	4170A	1792A	3773A	4317A
10	REAR COVER*	4223	635A	4172A	1807A	3785U	4320U
11	REAR GRILL	6211	1728	4088	2192	4849	
12	LEG			1478			
13	DOOR AXE BEARING			1001			
14	DOOR AXE BUSHING			155			
15	CLIP			113			
16	DOOR BUMPER			156			
17	DOOR SCREW			392			

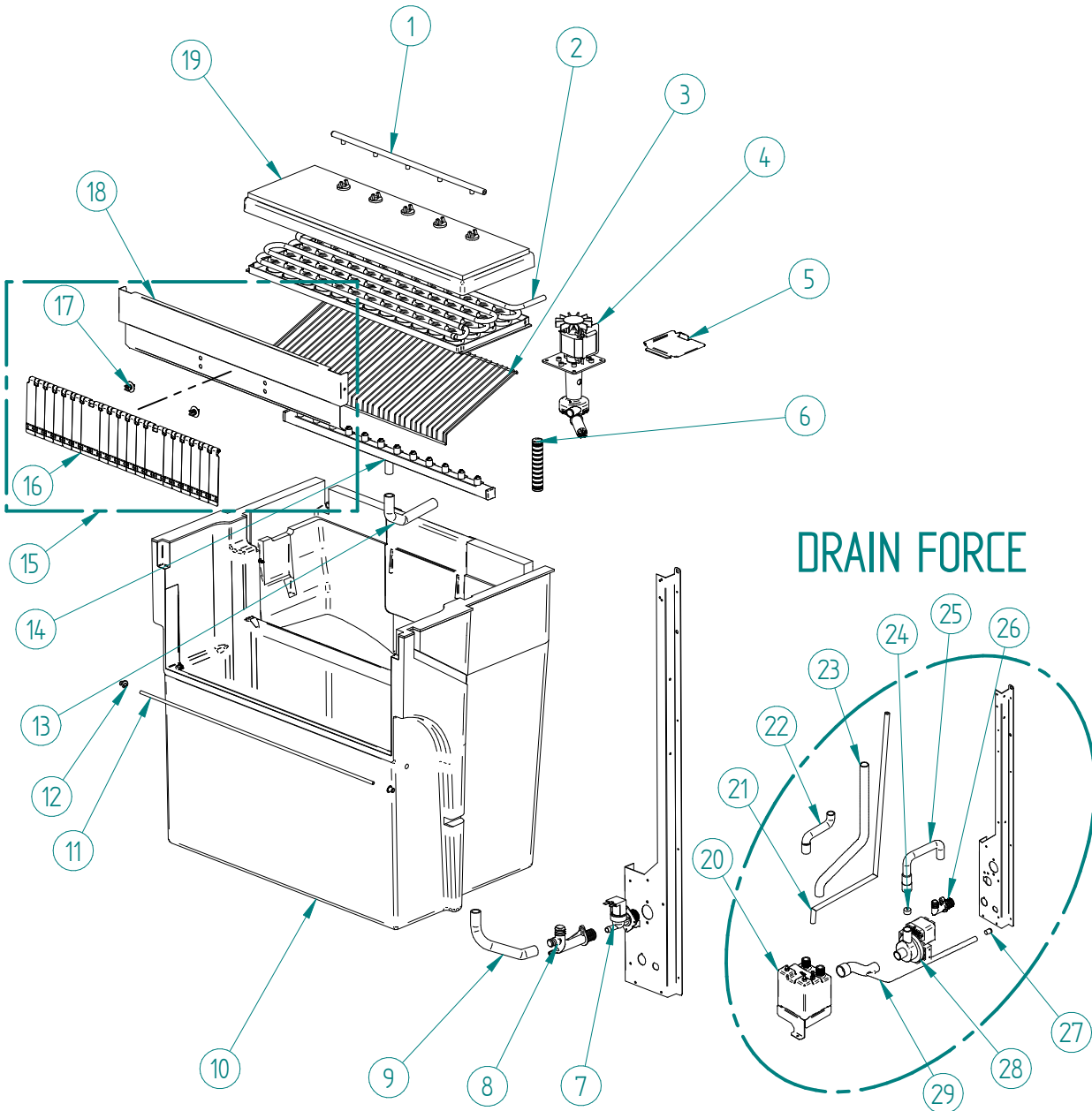


* TO PROVIDE SERIAL NUMBER



ITEM	DESCRIPTION	30
1	EVAPORATOR COVER	4901
2	EVAPORATOR	ALFA 20GR 7492
		GALA 30GR 7491
		DELTA MAX 40GR 31384
3	ICE CUBES RAMP	31321
4	OVERFLOW PIPE KIT	4426K
5	WATER FLOW RESTRICTOR	805
6	UPPER WATER PUMP DISCHARGE TUBE	4960
7	LOWER WATER PUMP DISCHARGE TUBE	2223
8	WATER PUMP	220V/50HZ 4769
		115V/60HZ 31982
9	WATER PUMP SUCTION TUBE	4961
10	WATER PUMP TRAY	4521
11	INLET WATER VALVE 1B	220V/50HZ 1673
		115V/60HZ 4899
	INLET WATER VALVE 2B	220V/50HZ 6981+4526+6959
12	DRAIN FITTING	363
13	DRAIN TUBE	2222
14	BIN	7502
15	THERMOSTAT TUBE	5984
16	THERMOSTAT JOINT	666
17	SPRAY BAR	5969
188	CURTAIN ASSEMBLY KIT	5968K
19	CURTAIN ASSEMBLY	5968
20	CLIP TUBE	3533
21	CURTAIN HOLDER	4697
DRAIN FORCE		
22	DRAIN FORCE BUCKET SET	32625
23	VENT TUBE	1719
24	DRAIN FORCE TUBE DISCHARGE BIN	32636
25	DRAIN FORCE TUBE DISCHARGE WATER BIN	32471
26	CHECK VALVE RX3/4	32451
27	PUMP OUT DRAIN FORCE TUBE	32457
28	DRAIN FORCE FITTING	30850
29	PLUG	614
30	DRAIN FORCE PUMP	220V/50HZ 32624
		220V/60HZ 32622
		115V/60HZ 32623
31	DRAIN FORCE PUMP SUCTION TUBE	32470

*** TO PROVIDE SERIAL NUMBER**



ITEM	DESCRIPTION	35-45	60	80	110	150	
1	WATER DISTRIBUTOR	N/A	N/A	911U		6462	
2	EVAPORATOR	ALFA 20GR	7030A	7395A	7258	7263	7479
		GALA 30GR	7423B	7400A	7156A	7352	7480
		DELTA MAX 40GR	31359B	31387A	31366A	31363	31372
3	ICE CUBES RAMP	SUPER STAR 60GR	7032A	7436A	7323A	7355	7806A
			34320	34322	34589	34591	34593
4	WATER PUMP	220V/50HZ		5563	5405	5494	33875
		115V/60HZ		5850A	5932A	N/A	
5	WATER BIN COVER	1938					
6	OVERFLOW PIPE	4426K (KIT)			1102	2709	
7	INLET WATER VALVE 1B*	220V/50HZ	6980 + 33033		6980+4476	329	
		115V/60HZ	6984 + 33033		N/A		
7	INLET WATER VALVE 2B*	220V/50HZ	6981 + 33033 + 4527		6981+4476+	6981+4476+	
					4527	1028	
8	DRAIN FITTING	363					
9	DRAIN TUBE	2222					
10	BIN	7452	7388	7128	7322	7487	
11	THERMOSTAT TUBE	5913	5437	5422		5933	
12	THERMOSTAT JOINT	666					
13	WATER PUMP DISCHARGE TUBE	2148		2191			
14	SPRAY BAR		7464	7406	7335	7350	7485
		SUPER STAR 60GR		7439	7432	7433	8675
15	CURTAIN ASSEMBLY KIT	5900K	5837K	32887K		5929K	
16	CURTAIN ASSEMBLY	5900	5837	32887		5929	
17	CLIP TUBE	N/A	N/A	3533			
18	CURTAIN HOLDER	121A	4055A	31738		4193	
19	EVAPORATOR COVER	4433A	2297A	5406	5491	5928A	
DRAIN FORCE							
20	DRAIN FORCE BUCKET SET	32571					
21	VENT TUBE	1719					
22	DRAIN FORCE TUBE DISCHARGE BIN	32456	33376				
23	DRAIN FORCE TUBE DISCHARGE WATER BIN	32453	33374		33375		
24	CHECK VALVE RX3/4	32451					
25	PUMP OUT DRAIN FORCE TUBE	32457					
26	DRAIN FORCE FITTING	30850					
27	PLUG	614					
28	DRAIN FORCE PUMP	220V/50HZ	32624				
		220V/60HZ	32622				
		115V/60HZ	32623				
29	DRAIN FORCE PUMP SUCTION TUBE	32455	32470				

*** TO PROVIDE SERIAL NUMBER**