



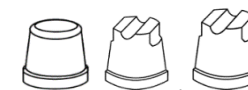
MR 400

ITV
ICE makers

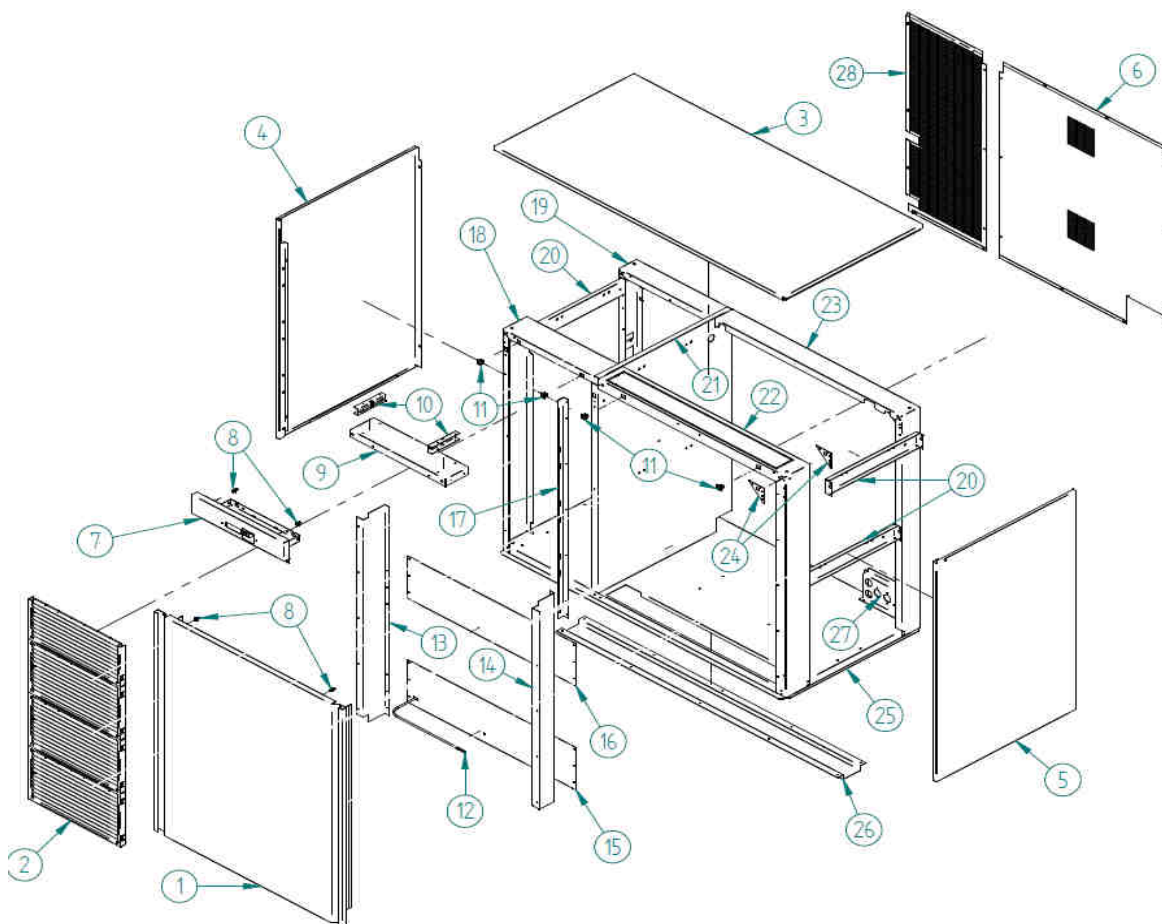


DESPIECE / REPUESTOS
EXPLODED VIEW / SPARE PARTS
EXPLOSIONSZEICHNUNG / ERSATZTEILE
VUE ÉCLATÉÉ / PIÈCES DÉTACHÉES
ESPLOSO / RICAMBI

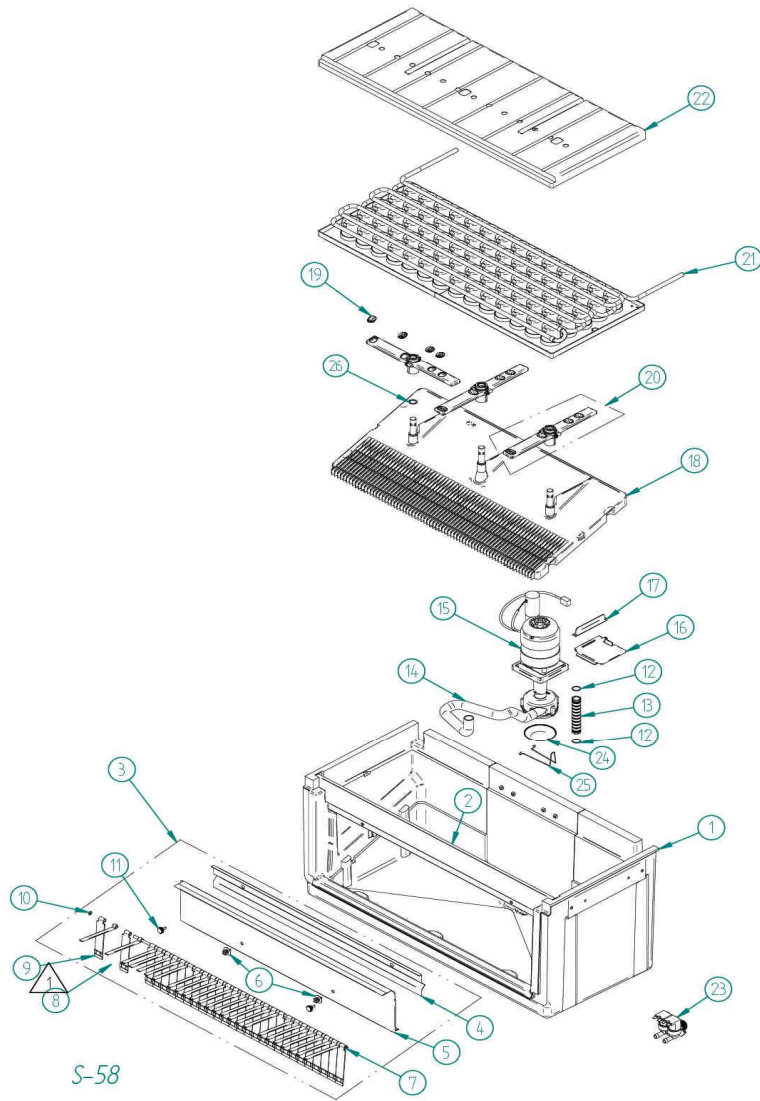
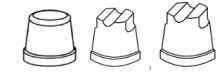
CABINET



MR 400

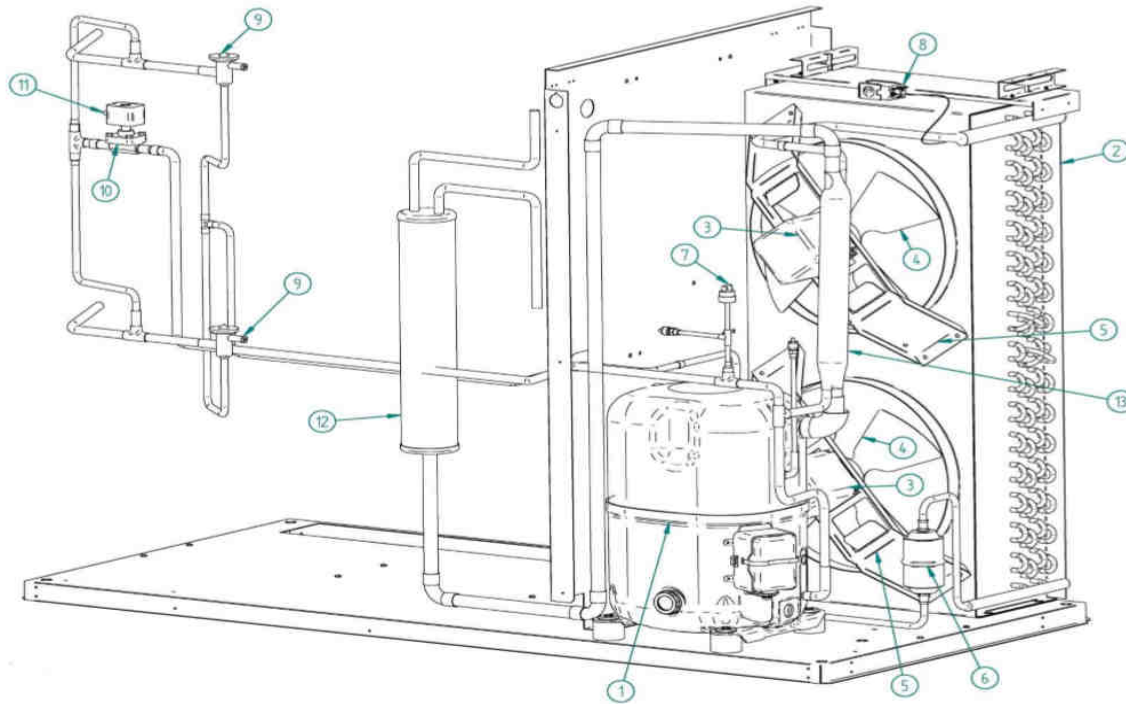


NAME		
1	FRONT PANEL	8090
2	AIREATION GRILL	4063
3	TOP PANEL	7860
4	LEFT PANEL	7859
5	RIGHT PANEL	7858
6	BACK PANEL	30584
7	DISPLAY PANEL	7864
8	CLIP	6181
9	SUPPORT PANEL	7865
10	ELECTRIC BOX GUIDE	7866
11	CLIP	6180
12	THERMOSTAT TUBE	8099
13	ICE LEFT OUT	7875
14	ICE RIGHT OUT	7874
15	ICE OUT	7877
16	ICE OUT	7876
17	FRONT PILLAR	7868
18	FRONT PILLAR (LEFT)	7856
19	REAR PILLAR (LEFT)	7886
20	SIDE STAY	7863
21	CENTRAL PARTITION	7867
22	FRONT PILLAR (RIGHT)	7854
23	REAR PILLAR (RIGHT)	7855
24	PALTE	7879
25	BASE	7857
26	BASE REINFORCEMENT	7869
27	WATER INLET SUPPORT	7861
28	BACK PANEL CONDENSING SIDE	30585
	BACK PANEL CONDENSING SIDE REMOTE CONDENSER	30586



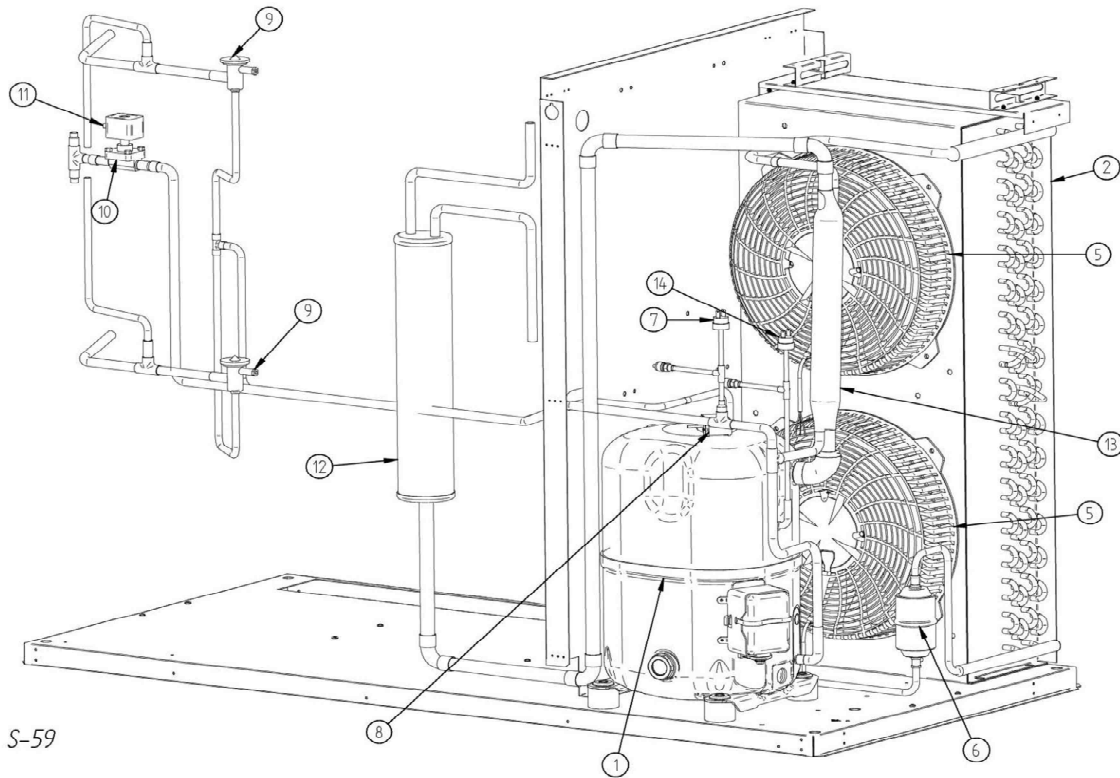
NAME		
1	PRODUCTION BIN	7773
2	EVAPORATOR SUPPORT	7853
3	CURTAIN	7852
4	CURTAIN REINFORCEMENT	7851
5	CURTAIN SUPPORT	7850
6	CLIP	3533
7	CURTAIN SHAFT	7849
8	INNER CURTAIN FLAP	605
9	OUTER CURTAIN FLAP	606
10	JOINT	107
11	SCREW M-5	6796
12	JOINT	4496
13	OVERFLOW TUBE	4426
14	DRIVE TUBE	6488
15	WATER PUMP	7847
16	COVER	1938G
17	PUMP BRACKET	4859
18	OUTLET ASSEMBLY	8389
19	NOZZLE	6360A
20	INJECTOR ASSEMBLY	7846A
EVAPORATOR		
21	GALA	7480
	DELTA	7437
	SUPER STAR	7427
	SUPER STAR PLUS	7806
22	EVAPORATOR COVER	7936
23	WATER VALVE	293
24	NET FILTER FOR PUMP	30309
25	CLIP FOR FILTER	30308
28	WASHER FOR THE INJECTOR ASSEMBLY	30789

AIR CONDENSER UNIT before s/n 17951357



		NAME	
1		COMPRESSOR	
		220V/50HZ 1 PHASE	8261
		220V/60HZ 1 PHASE	8378
		400V/50HZ 3 PHASE	7842
		220V/50HZ 3 PHASE	8169
		220V/60HZ 3 PHASE	8169
2		CONDENSER	6469
3		FAN	2446
4		FAN BLADE	6557
5		FAN SUPPORT	6501
6		FILTER	3064
7		HIGH PRESSURE SWITCH	334
8		CONDENSATION PRESSURE SWITCH	424
9		EXPANSION VALVE 3/8"	7999
10		HOT GAS VALVE	7897
11		COIL	5173
12		ASPIRATION SEPARATOR	7769
13		EXCHANGER	30755

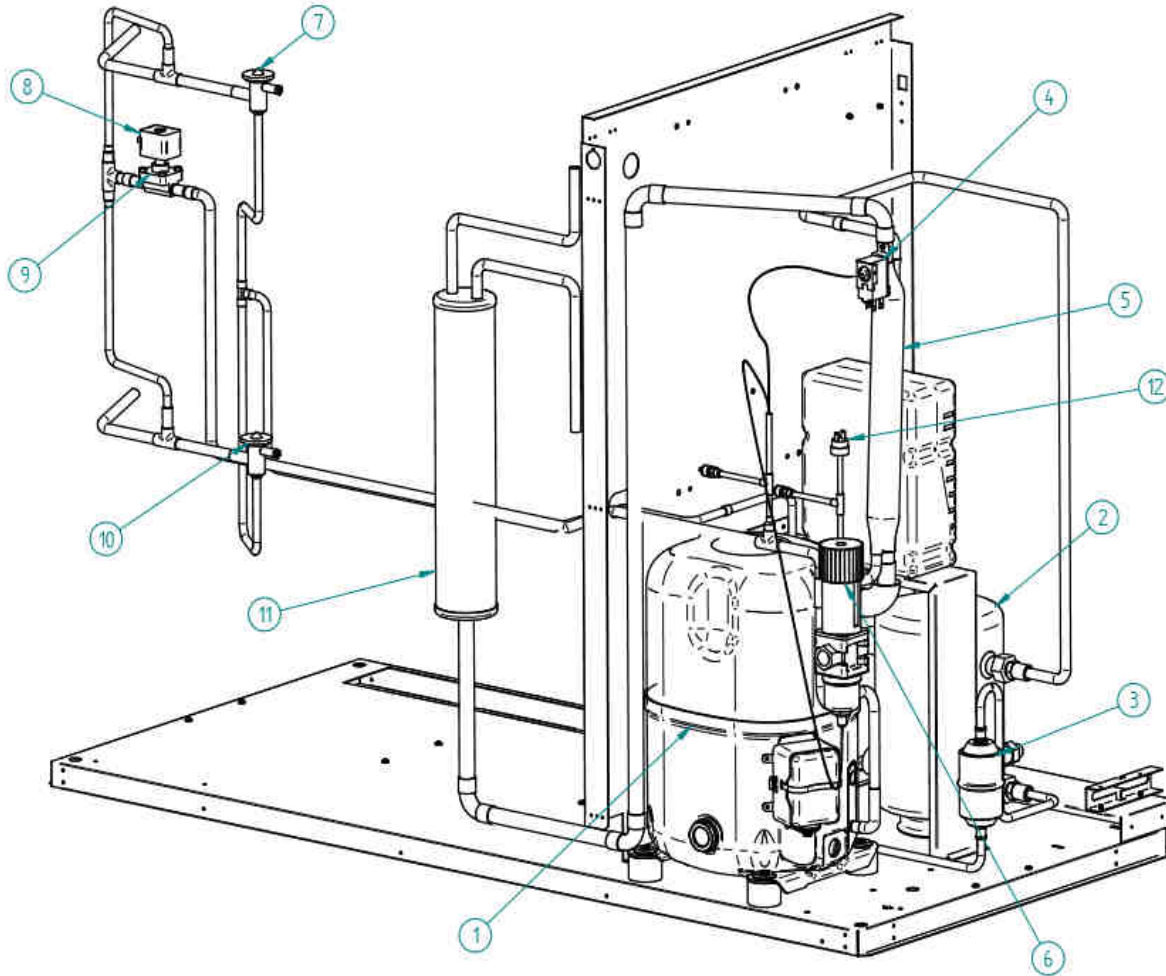
AIR CONDENSER UNIT



S-59

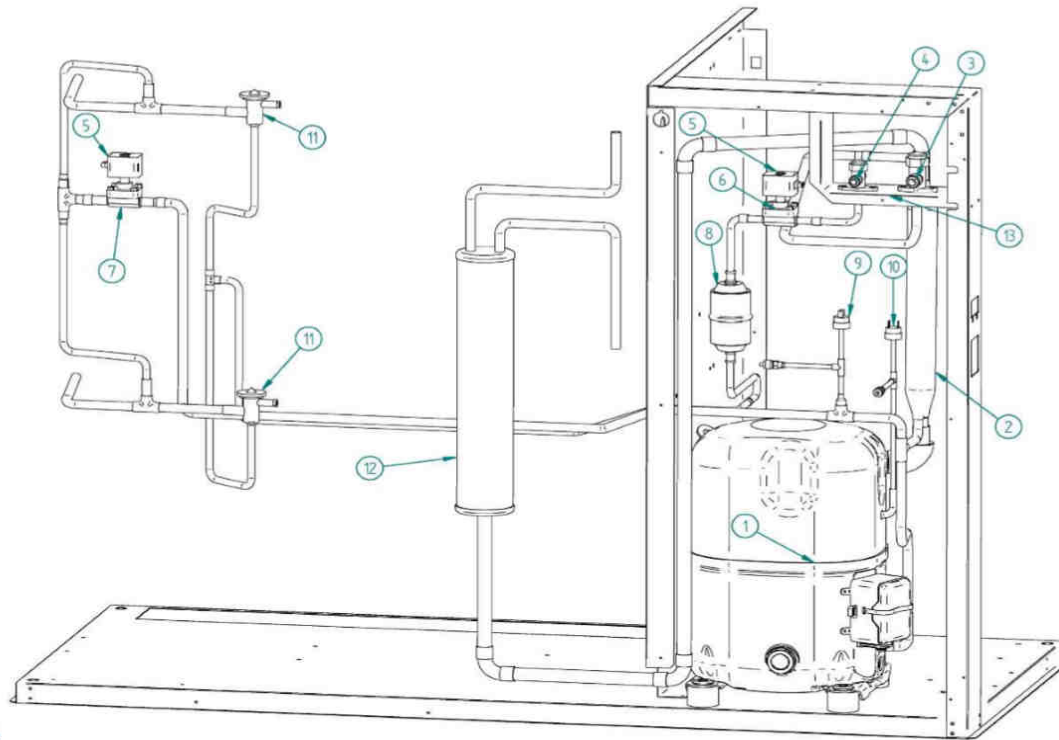
		NAME	
		COMPRESSOR	
		220V/50HZ 1 PHASE	8261
		220V/60HZ 1 PHASE	8378
1		400V/50HZ 3 PHASE	7842
		220V/50HZ 3 PHASE	8169
		220V/60HZ 3 PHASE	8169
2		CONDENSER	6469
3		FAN	30944
6		FILTER	3064
7		HIGH PRESSURE SWITCH	334
8		CONDENSATION PRESSURE SWITCH	424
9		EXPANSION VALVE 3/8"	7999
10		HOT GAS VALVE	7897
11		COIL	5173
12		ASPIRATION SEPARATOR	7769
13		EXCHANGER	30755

WATER CONDENSER UNIT



NAME	
COMPRESSOR	
	220V/50HZ 1 PHASE 8261
	220V/60HZ 1 PHASE 8378
1	400V/50HZ 3 PHASE 7842
	220V/50HZ 3 PHASE 8169
	220V/60HZ 3 PHASE 8169
2	CONDENSER 8310
3	FILTER 3064
4	HIGH SWITCH PRESSURE 2683
5	EXCHANGER 30755
6	PRESSURE WATER REGULATING VALVE 3327
7	EXPANSION VALVE 3/8" 7999
8	COIL 5173
9	HOT GAS VALVE 7897
10	EXPANSION VALVE 3/8" 7999
11	ASPIRATION SEPARATOR 7769
12	LOW PRESSURE SWITCH 8226

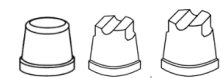
REMOTE AIR CONDENSER UNIT



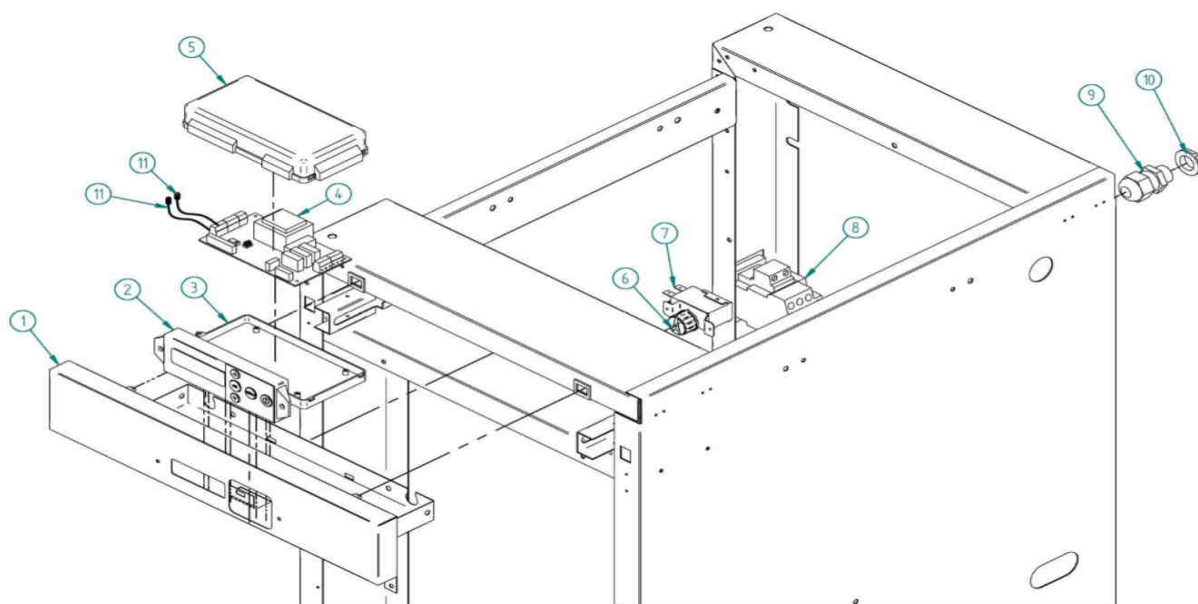
S-62

		NAME
COMPRESSOR		
1	220V/50HZ 1 PHASE	8261
	220V/60HZ 1 PHASE	8378
	400V/50HZ 3 PHASE	7842
	220V/50HZ 3 PHASE	8169
	220V/60HZ 3 PHASE	8169
2	EXCHANGER	30755
3	VALVE 1/2"	3398
4	VALVE 3/8"	3397
5	COIL	5173
6	SOLENOID VALVE 3/8"	843
7	SOLENOID VALVE 1/2"	7897
8	DRYER	3064
9	HIGH PRESSURE SWITCH	334
10	LOW PRESSURE SWITCH	8226
11	EXPANSION VALVE 3/8"	7999
12	ASPIRATION SEPARATOR	7769
13	VALVE BRACKET	8251

ELECTRIC BOARD



MR 400



	NAME	
1	FRONT PANEL	7864
2	DISPLAY	8461
3	ELECTRIC BOX (BASE)	2181
4	ELECTRONIC BOARD 220V/50-60HZ BEFORE SERIAL NUMBER 17718738	7882C 30932
5	TOP COVER (ELECTRIC BOX)	2182
6	THERMOSTAT CONTROL	272
7	STOCK THERMOSTAT	274
8	CONTACTOR	4376
9	PRESS (CABLE)	2864
10	SCREW M-20	6590
11	PROBE	30022